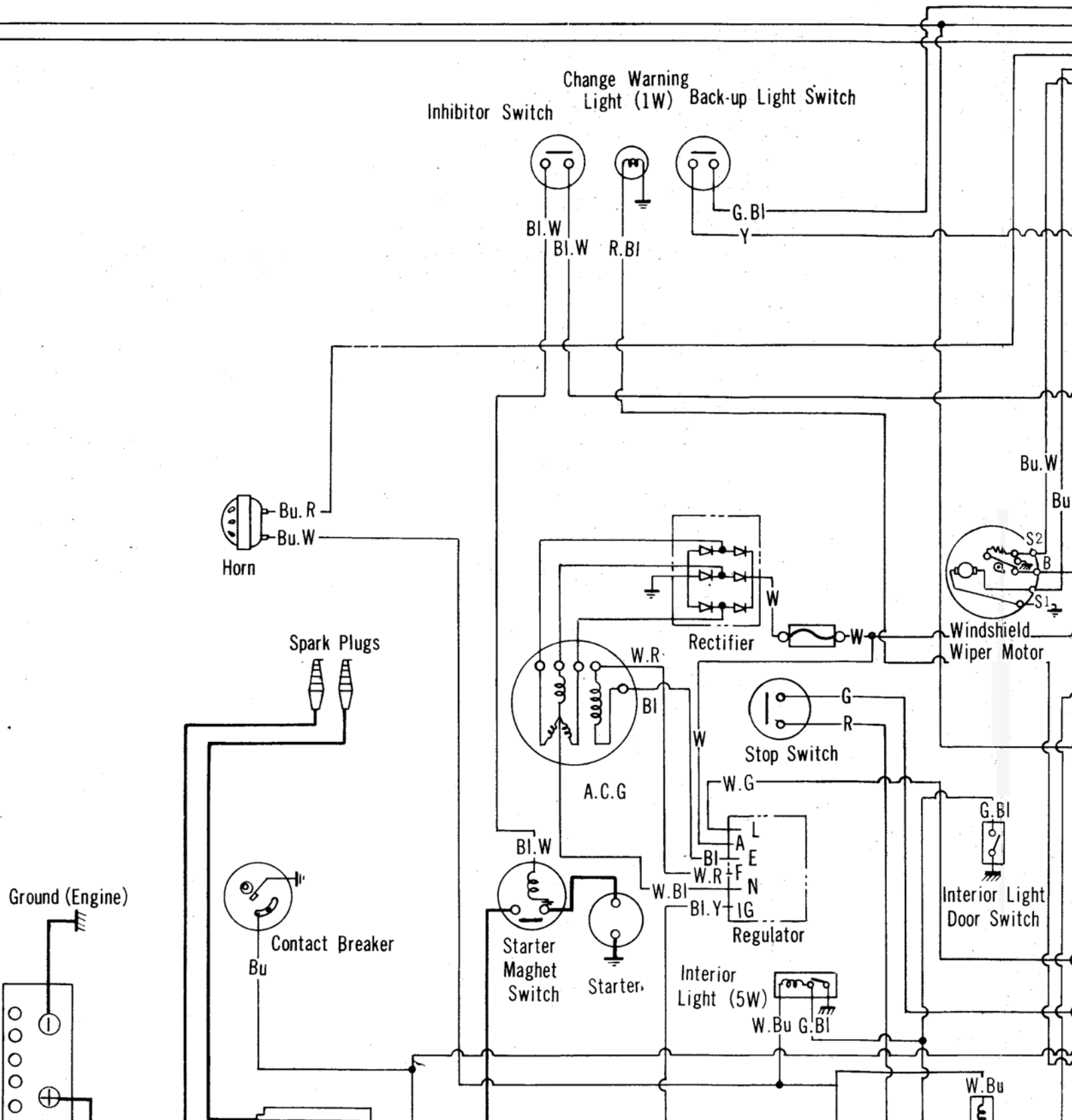
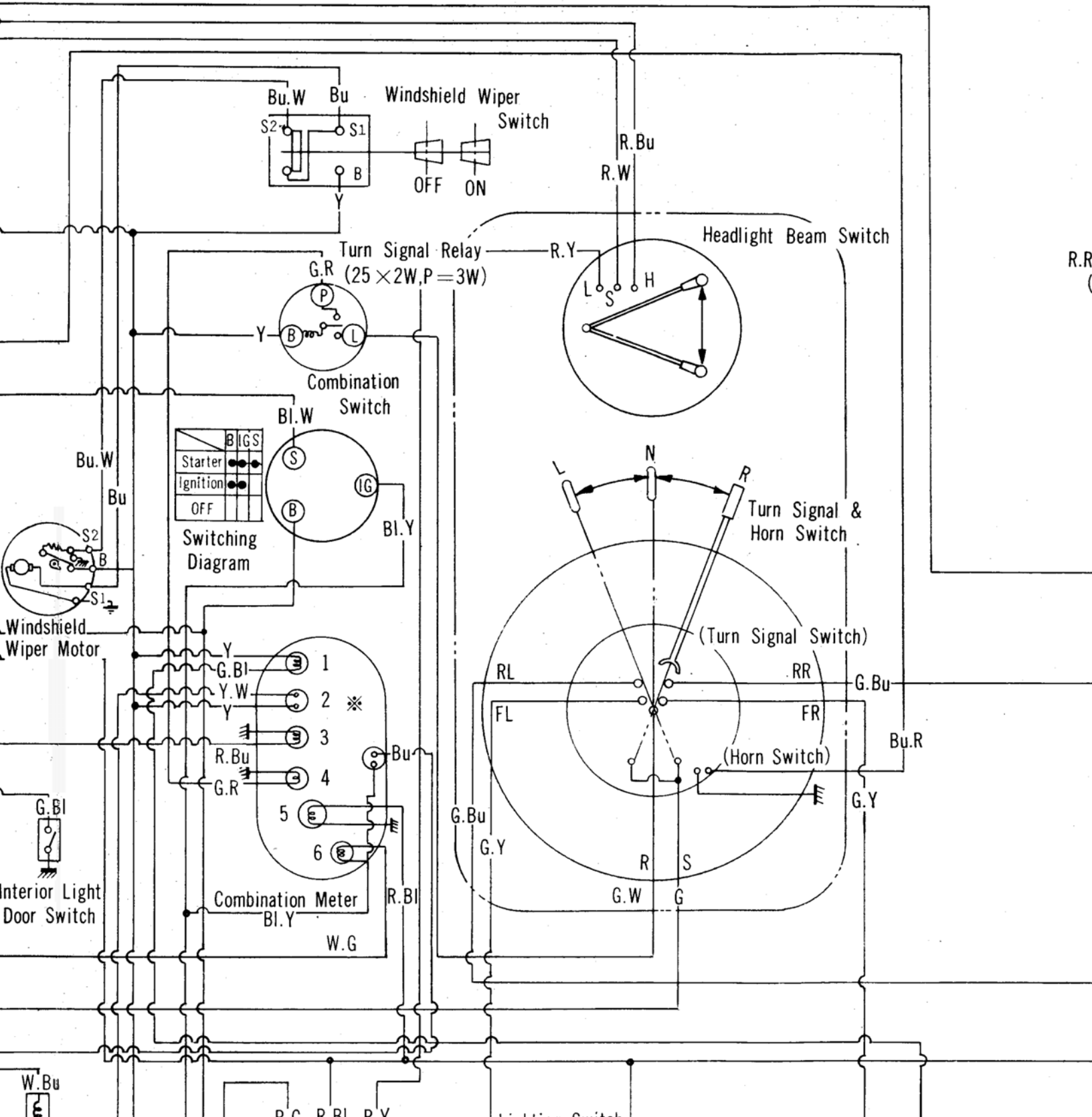
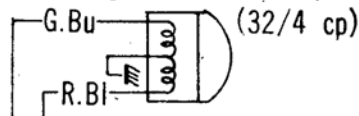


8. N600; Standard

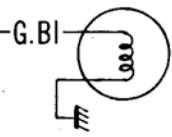




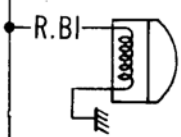
R.Rear Combination Light
(Stop, Turn Signal/Tail 25/8W)

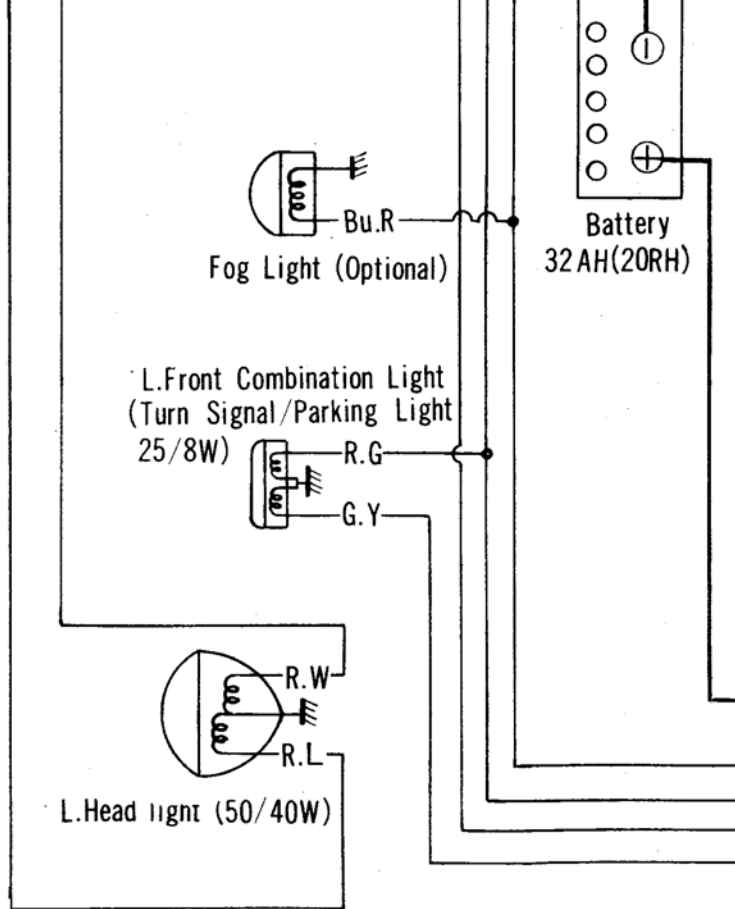


Back-up Light (10W)



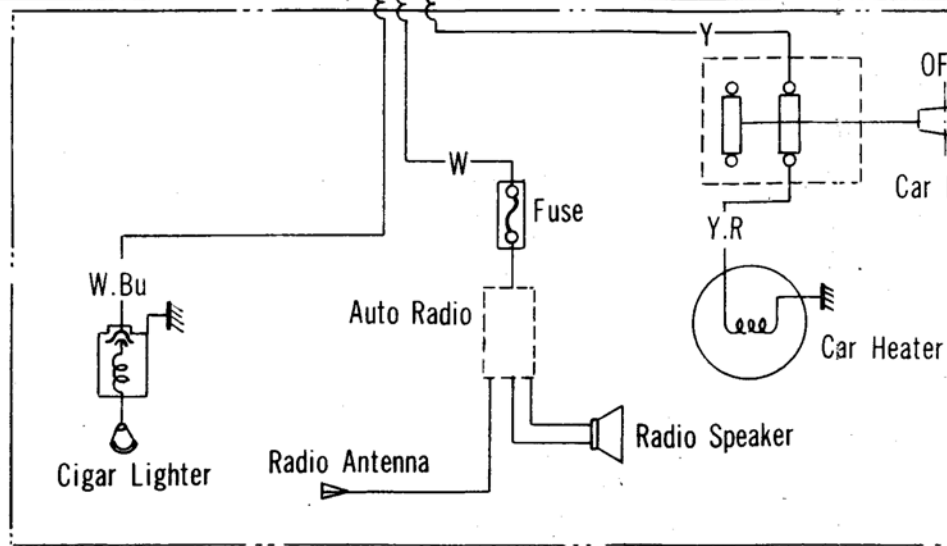
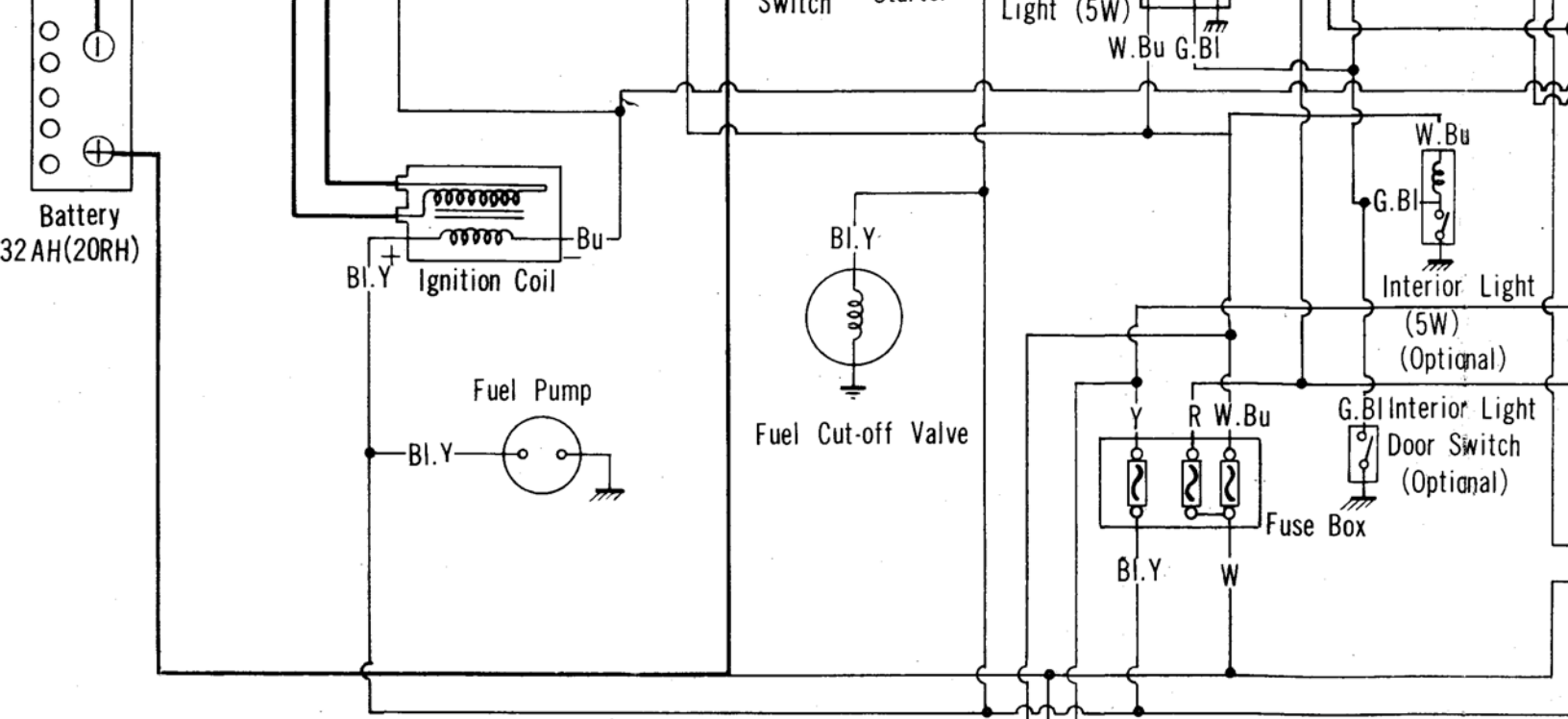
License Plate Light
(5W)





- R. Red
- R.BI Red/black stripe
- R.Bu Red/blue stripe
- R.G Red/green stripe
- R.W Red/white stripe

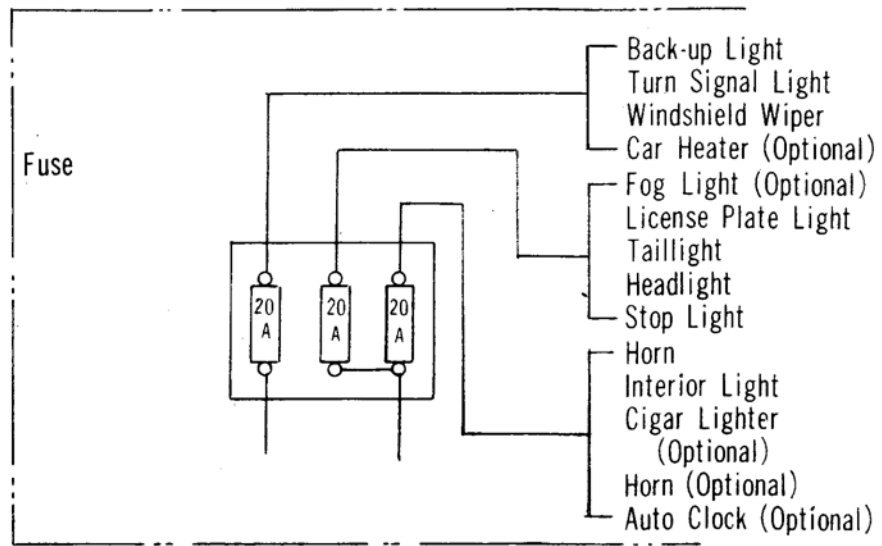
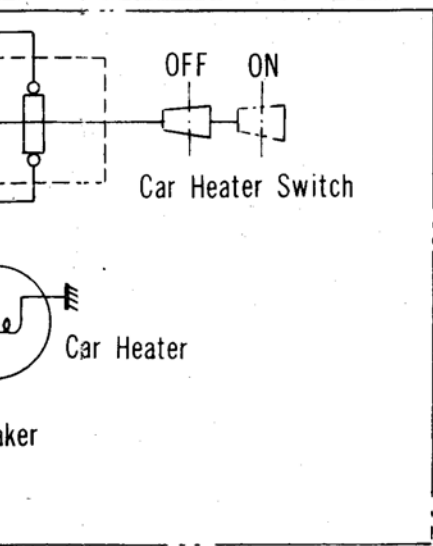
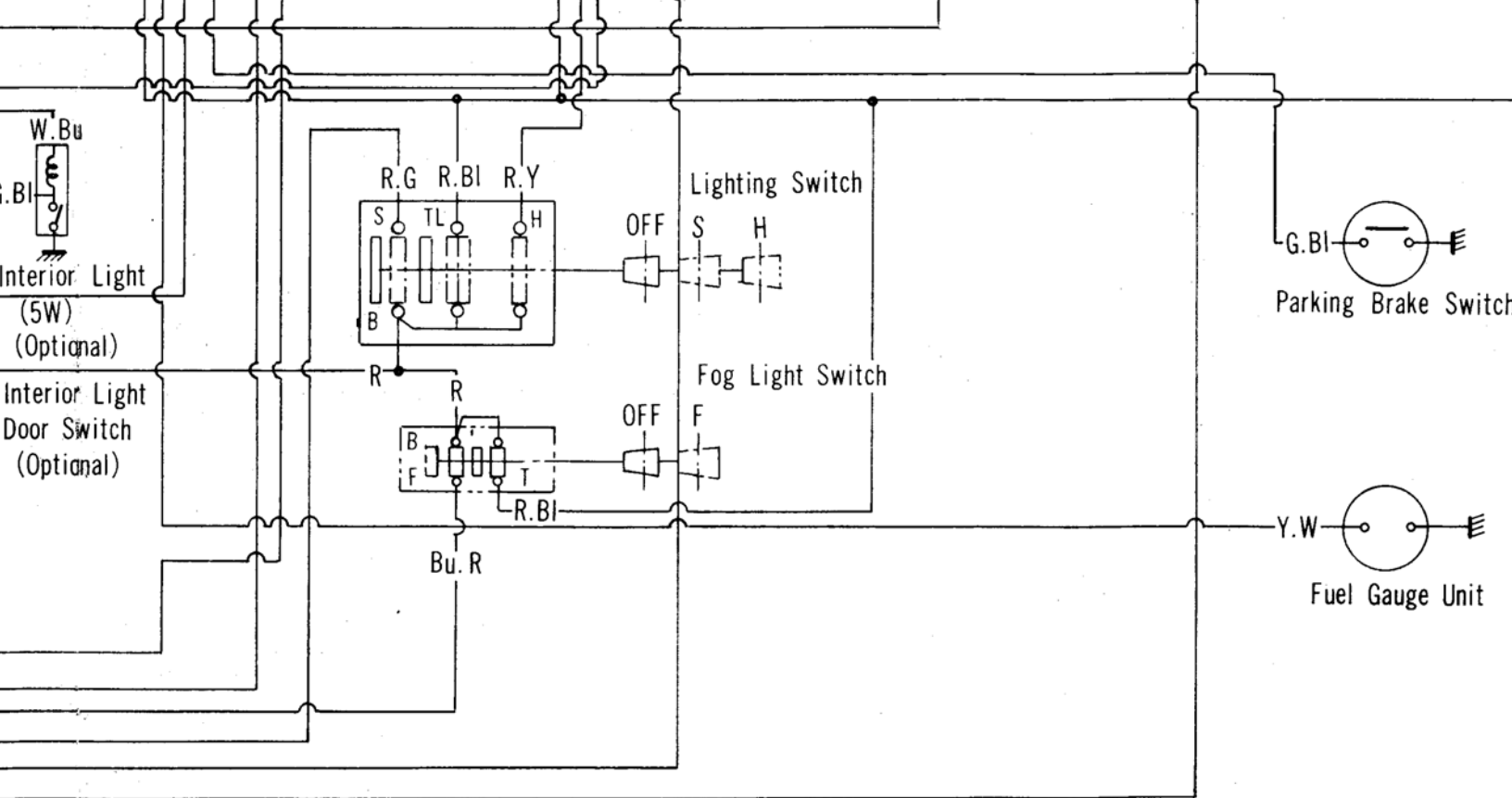
- R.Y
- G
- G.BI
- G.Bu
- G.R



R.YRed/yellow stripe
 GGreen
 G.BlGreen/black stripe
 G.BuGreen/blue stripe
 G.RGreen/red stripe

G.WGreen/white stripe
 G.YGreen/yellow stripe
 BuBlue
 Bu.RBlue/red stripe
 Bu.WBlue/white stripe

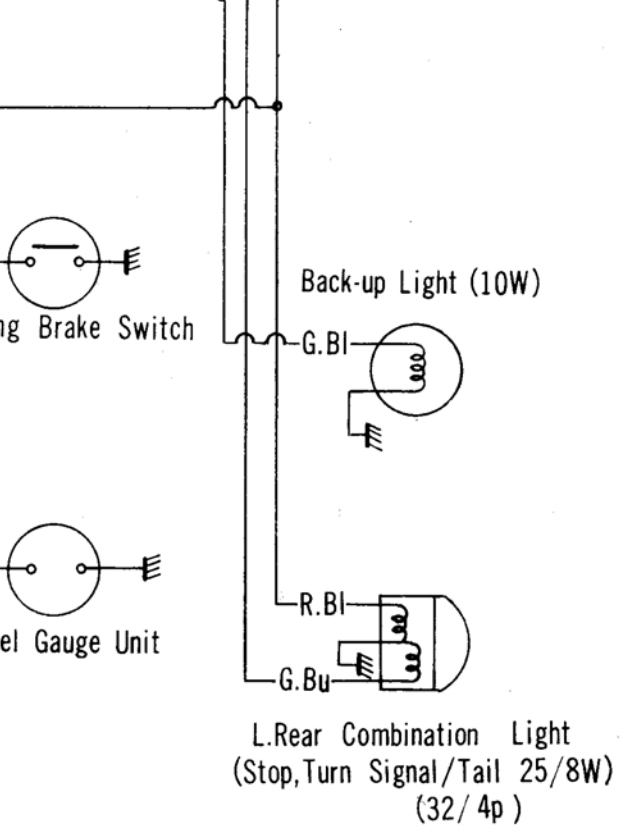
Bu.Y
 Bl
 Bl.W
 Bl.Y
 Y



※
1. Pa
2. Fu
3. Hi
4. Tu
5. Ins
6. Dis

Bu.YBlue /yellow stripe
 BlBlack
 Bl.WBlack /white stripe
 Bl.YBlack /yellow stripe
 YYellow

Y.RYellow /red stripe
 Y.WYellow /white stripe
 WWhite
 W.BuWhite /blue stripe
 W.GWhite /green stripe



※

1. Parking Brake Warning Light (3W)
2. Fuel Gauge
3. High Beam Indicator Light (3W)
4. Turn Signal Indicator Light (3W)
5. Instrument Light (3W)
6. Discharge Warning Light (3W)

stripe W.R White/red stripe
 stripe W.Y White/yellow stripe

stripe
 stripe