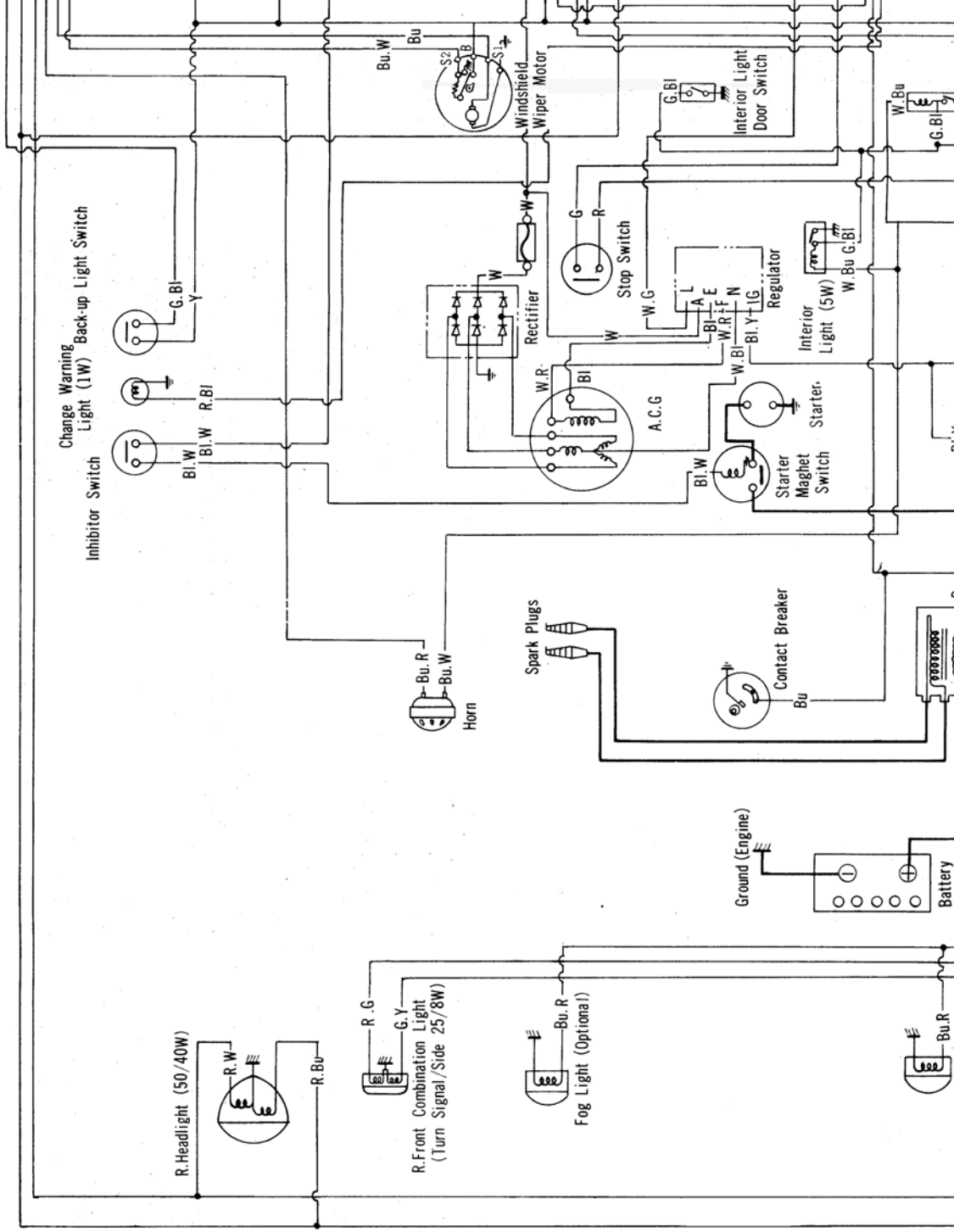


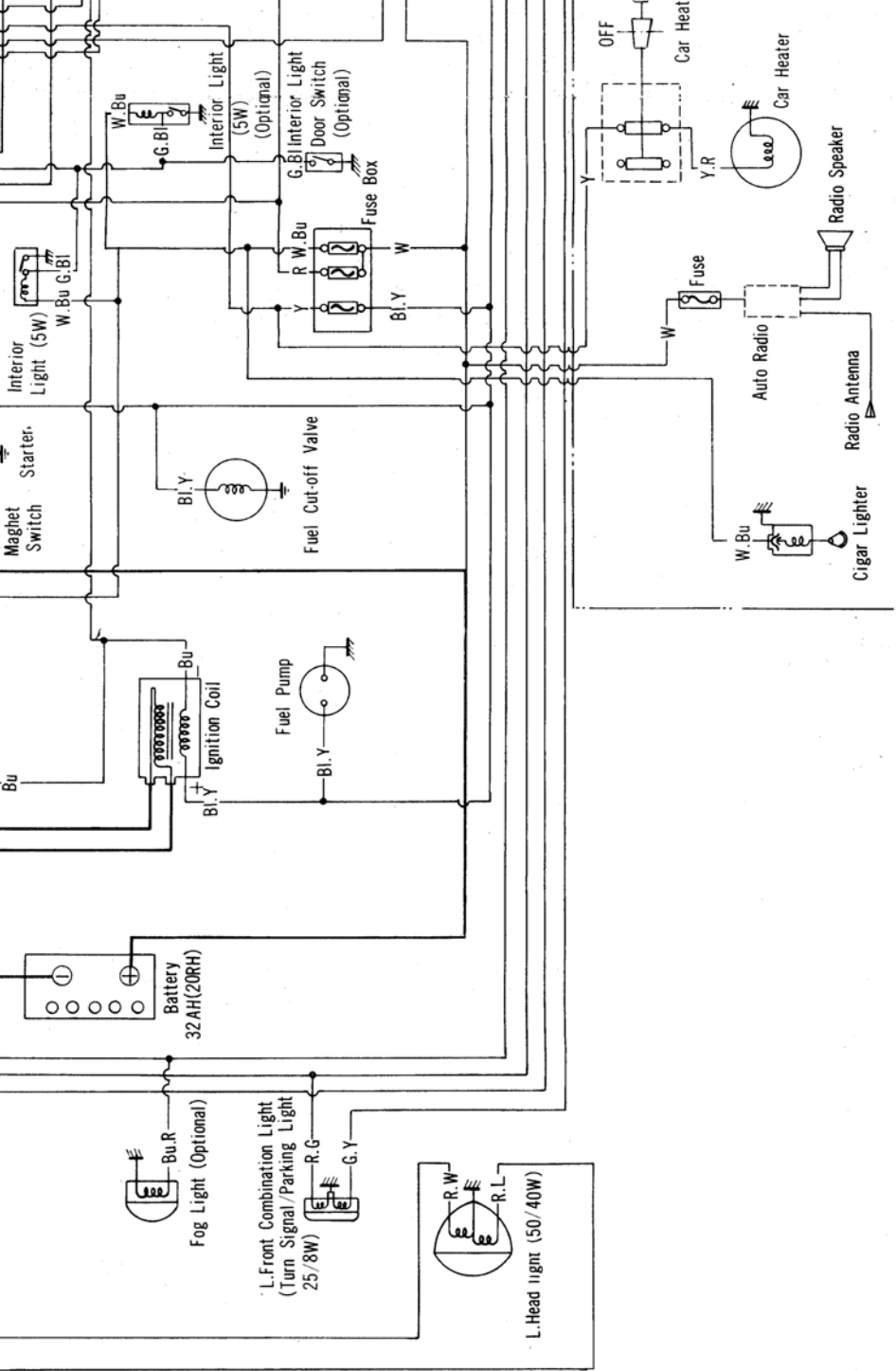
※

1. Parking Brake Warning Light (3W)
2. Fuel Gauge
3. High Beam Indicator Light (3W)
4. Turn Signal Indicator Light (3W)
5. Instrument Light (3W)
6. Discharge Warning Light (3W)

| | | | | | | |
|-------|-------|-----------------------|-------|-----------------------|------|-----------------------|
| ripe | Bu. Y | Blue / yellow stripe | Y. R | Yellow / red stripe | W. R | White / red stripe |
| tripe | Bl | Black | Y. W | Yellow / white stripe | W. Y | White / yellow stripe |
| | Bl. W | Black / white stripe | W | White | | |
| | Bl. Y | Black / yellow stripe | W. Bu | White / blue stripe | | |
| ipe | Y | Yellow | W. G | White / green stripe | | |

8. N600; Standard





- R.Red
- R.BlRed/black stripe
- R.BuRed/blue stripe
- R.GRed/green stripe
- R.WRed/white stripe
- R.YRed/yellow stripe
- GGreen
- G.BlGreen/black stripe
- G.BuGreen/blue stripe
- G.RGreen/red stripe
- G.WGreen/white stripe
- G.YGreen/yellow stripe
- BuBlue
- Bu.RBlue/red stripe
- Bu.WBlue/white stripe
- Bu.YGreen/white stripe
- BlBlue
- Bl.WBlue/red stripe
- Bl.YBlue/white stripe
- YYellow