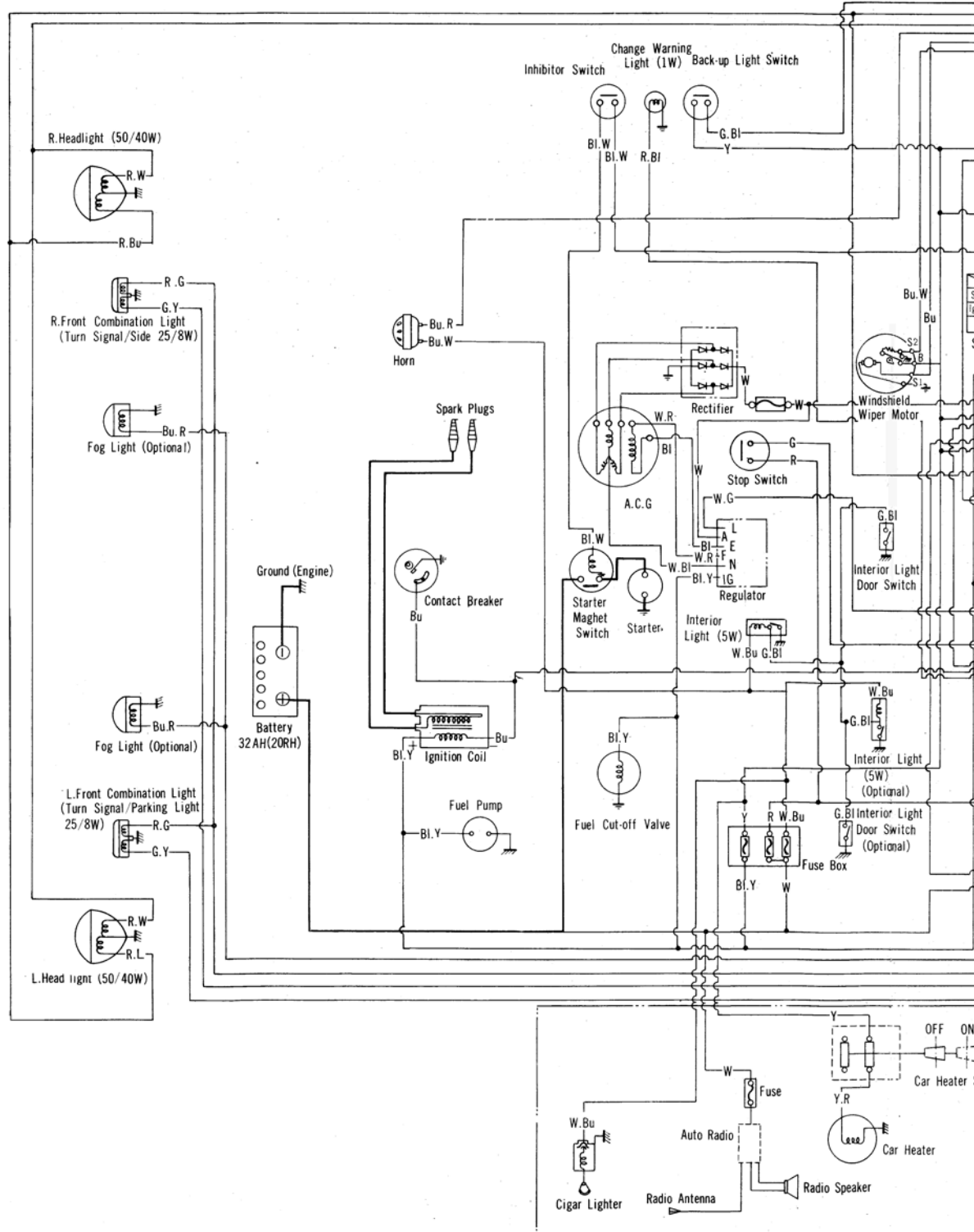


8. N600; Standard

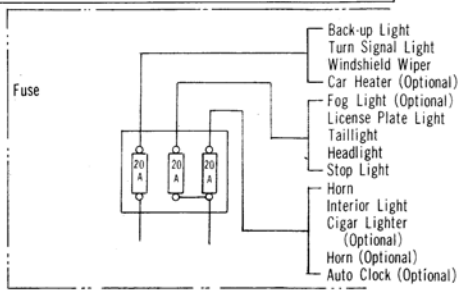
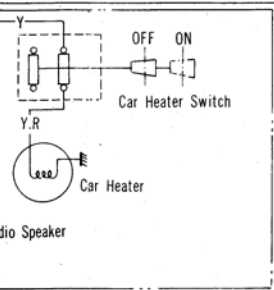
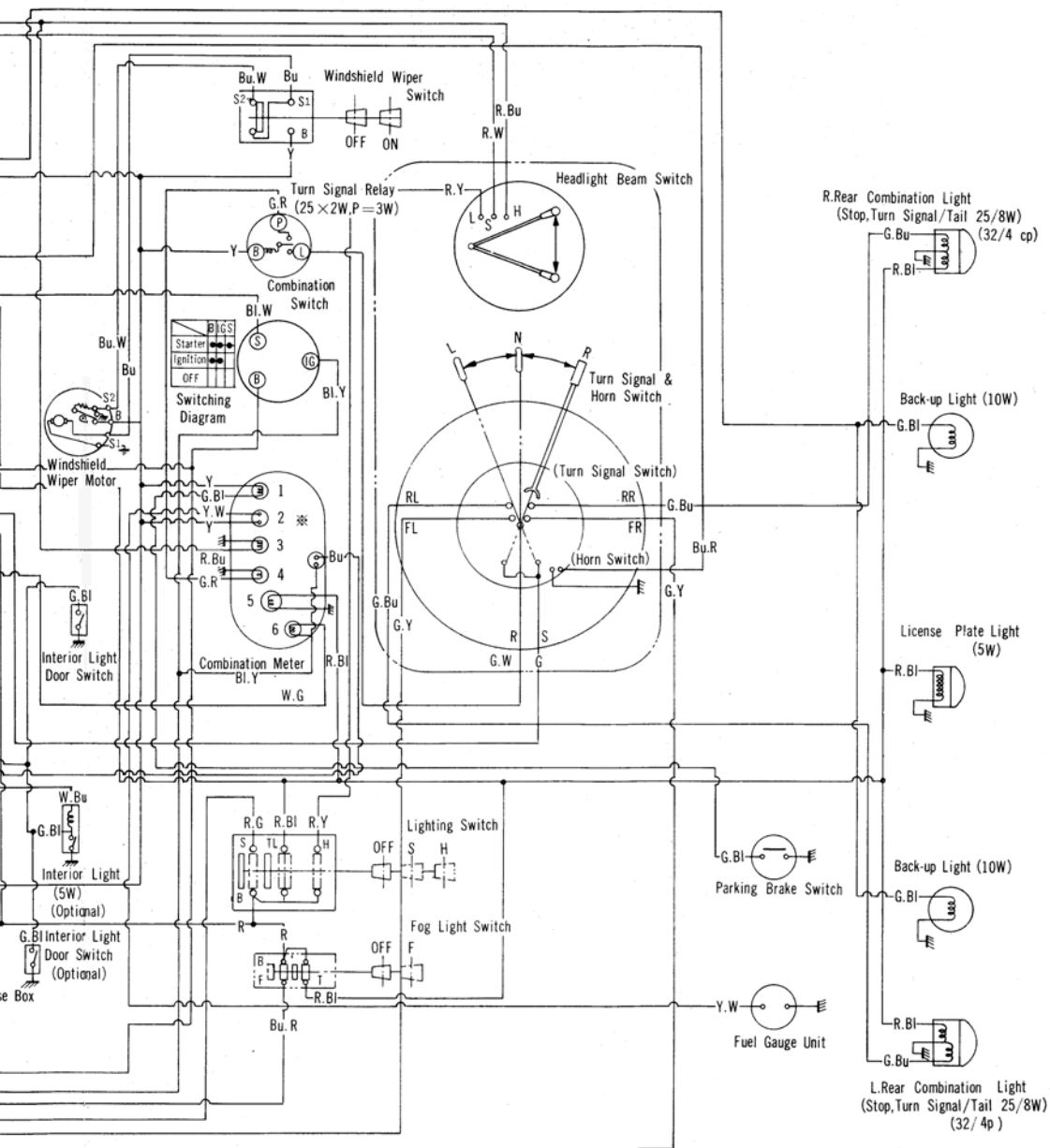


R.Red
 R.BIRed/black stripe
 R.BuRed/blue stripe
 R.GRed/green stripe
 R.WRed/white stripe

R.YRed/yellow stripe
 GGreen
 G.BIGreen/black stripe
 G.BuGreen/blue stripe
 G.RGreen/red stripe

G.WGreen/white stripe
 G.YGreen/yellow stripe
 BuBlue
 Bu.RBlue/red stripe
 Bu.WBlue/white stripe

Bu.Y
 BI
 BI.W
 BI.Y
 Y



- ⌘
1. Parking Brake Warning Light (3W)
 2. Fuel Gauge
 3. High Beam Indicator Light (3W)
 4. Turn Signal Indicator Light (3W)
 5. Instrument Light (3W)
 6. Discharge Warning Light (3W)

Blue stripe	Bu.Y	Blue/yellow stripe	Y.R	Yellow/red stripe	W.R	White/red stripe
Black stripe	Bl	Black	Y.W	Yellow/white stripe	W.Y	White/yellow stripe
Black/white stripe	Bl.W	Black/white stripe	W	White		
Black/yellow stripe	Bl.Y	Black/yellow stripe	W.Bu	White/blue stripe		
Yellow	Y	Yellow	W.G	White/green stripe		