

Subaru 360 Sedan Parts Catalog

Version 1.0
04/09/2002
MJ Christensen

CONTENT

ENGINE

	PAGE
CASE & COVER	2 - 4
GASKET SET	5
ENGINE	6 - 8
OVERSIZE PISTON & RING	9
CRANKSHAFT	10 - 11
COOLING FAN COVER & DUCT	12 - 13
CLUTCH	14 - 16
AIR CLEANER & FUEL SYSTEM	18 - 19
CARBURETOR (HITACHI)	20 - 22
ENGINE OIL SYSTEM	24 - 25
MECHANICAL PUMP (MIKUNI)	26 - 27
ELECTRICAL EQUIPMENT	28 - 29
GENERATOR (NIPPON DENSO)	30 - 31
STARTER MOTOR (HITACHI)	32 - 33
DISTRIBUTOR (NIPPON DENSO)	34 - 35
TRANSMISSION	36 - 38
DIFFERENTIAL	40 - 42

BODY

FRONT SUSPENSION	44 - 46
FRONT AXLE	48 - 49
WHEEL RIM & TIRE	50 - 51
REAR SUSPENSION	52 - 53
WHEEL CYLINDER & ANCHOR BLOCK	54 - 55
FRONT BRAKE & REAR BRAKE	56 - 57
REAR AXLE	58 - 59
STEERING SYSTEM	60 - 61
STEERING GEAR BOX	62 - 63
STEERING SHAFT	64 - 65
GEAR CHANGE EQUIPMENT	66 - 67
BRAKE & CLUTCH PEDAL (LEFT HAND DRIVER)	68 - 69
MASTER CYLINDER	70 - 71
CLUTCH CONTROL SYSTEM	72 - 73
BRAKE PIPING	74 - 75
HAND BRAKE SYSTEM	76 - 77
CHOKE, HEATER & FUEL CONTROL SYSTEM	78 - 79

ENGINE MOUNTING & MUFFLER	80 - 81
FUEL SYSTEM	82 - 83
OIL TANK	84 - 85
BODY PARTS	86 - 87
FRONT HOOD	88 - 89
ENGINE HOOD	90 - 91
BODY CONSTRUCTION	92 - 93
INSTRUMENT PANEL FITTING	94 - 95
DOOR	96 - 98
DOOR WINDOW & REGULATOR	100 - 102
LUGGAGE SHELF & TRAP DOOR	104 - 105
FUEL FILLER FLAP	106 - 107
ROOF & WINDSHIELD GLASS	108 - 109
FRONT SEAT	110 - 112
REAR SEAT	114 - 115
FRONT & ENGINE HOOD LOCK	116 - 117
FRONT & REAR BUMPER	118 - 119
SIDE WINDOW	120 - 121
SPARE TIRE MOUNTING & VENTILATOR	122 - 123
AIR DUCT	124 - 125
HEATER & DEFROSTER	126 - 127
COMBINATION METER & SWITCH GROUP	128 - 129
TOOL KIT	130 - 131
BATTERY EQUIPMENT & WIRING HARNESS	132 - 133
ELECTRICAL EQUIPMENT	134 - 135
HEADLAMP ASSEMBLY	136 - 137
LAMPS I	138 - 139
LAMPS II	140 - 141
WINDSHIELD & WIPER	142 - 143
INNER TRIMMING & MAT SET	144 - 145
BODY ACCESSORIES (INNER)	146 - 147
BODY ACCESSORIES (OUTER)	148 - 149

BLANK PAGE

NOTE

This parts catalogue is applied for SUBARU 360 Sedan (K111L)
Chassies numbers 3588 and after.

(1) The screws, bolts, and nuts on the above mentioned chassies Nos. are standardized ISO metric system, Specially the 3mm, 4mm, 5mm, and 12mm screws, bolts, and nuts are changed in their pitches, therefore these parts are not common to the previous ones.

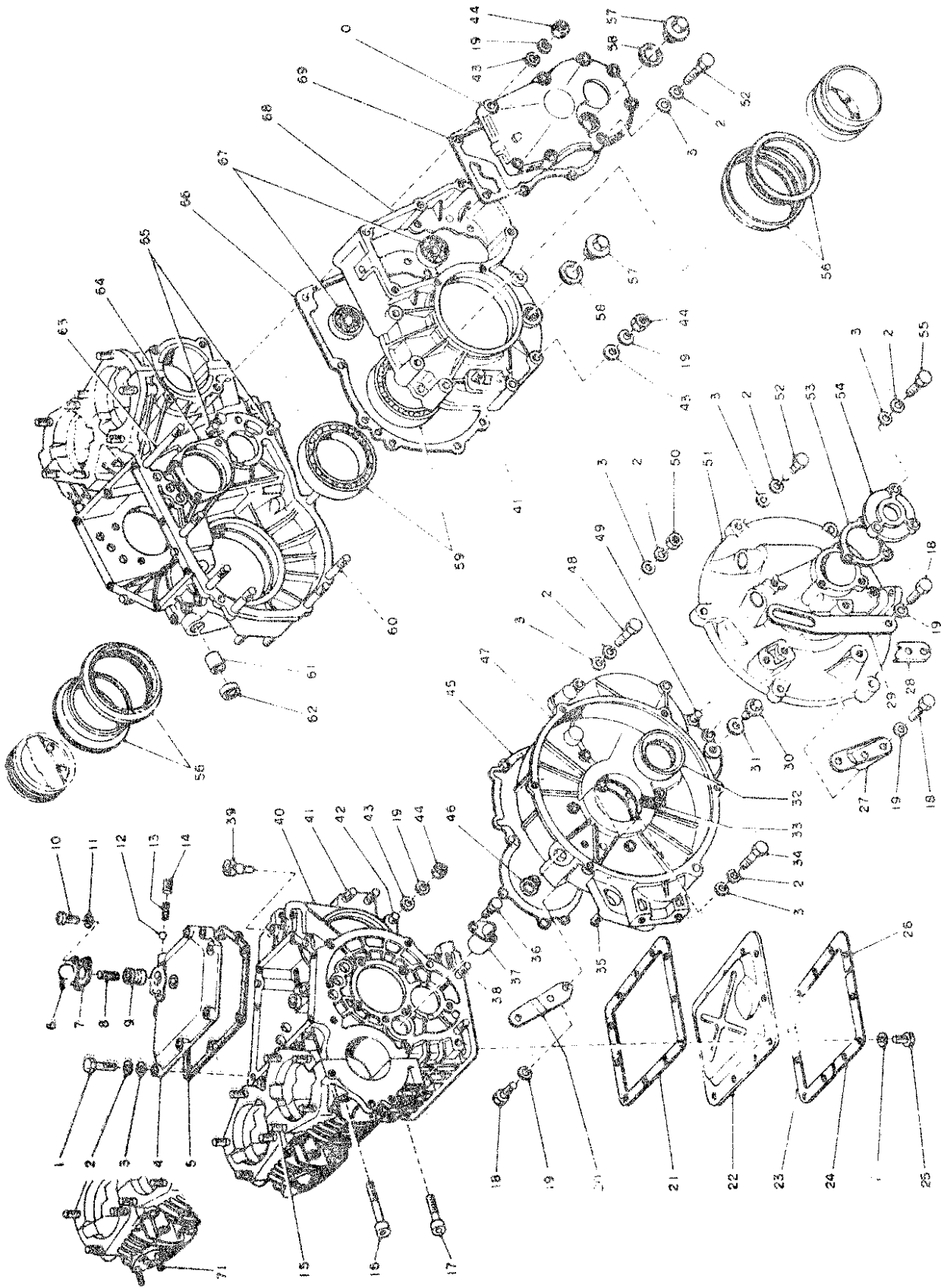
(2) Discrimination method

The ISO metric system screws and bolts are marked on the head with 0.8mm diameter hemisphere emboss or dent, and the nuts are marked with 0.6mm dent on their top or side surface.

Old	ISO metric system
Diameter & pitch	Diameter & pitch
3mm x 0.6	3mm x 0.5
4mm x 0.75	4mm x 0.7
5mm x 0.9	5mm x 0.8
12mm x 1.5	12mm x 1.25

(3) The spare parts applied ISO metric system are labeled or stamped with the "ISO" mark.

CASE & COVER



CASE & COVER

Item	Part Number	Nomenclature	Q'ty Req	Remarks
1	016 306 251	Bolt	7	
2	032 006 201	Spring Washer	42	
3	031 006 002	Washer	31	
4	842 265 010	Cover (Transmission)	1	
5	842 255 000	Gasket (Transmission Cover)	1	
6	842 305 000	Cover III (Transmission)	1	
7	842 295 000	Gasket III (Transmission Cover)	1	
8	842 685 000	Spring (Accent Plunger)	1	
9	842 245 000	Plunger (Shifter ail)	1	
10	044 605 120	Screw (Flat Head)	2	
11	032 005 201	Spring Washer	2	
12	806 060 010	Ball (6.350)	1	
13	842 075 000	Spring (Shifter Fork Rail)	1	
14	807 008 010	Plug (8 x 10)	1	
15	013 208 350	Stud	8	
16	800 308 020	Bolt (Socket) (8 x 55 x 25)	10	
17	800 308 010	Bolt (Socket) (8 x 35 x 25)	2	
18	016 608 200	Bolt	5	
19	032 008 201	Spring Washer	15	
20	881 295 000	Bracket (Generator)	1	
21	842 325 000	Gasket IV (Transmission Cover)	1	
22	842 335 000	Cover IV (Transmission)	1	
23	842 805 000	Sash II (Transmission Cover)	1	
24	842 815 000	Sash III (Transmission Cover)	1	
25	016 306 161	Bolt	11	
26	842 795 000	Sash (Transmission Cover)	1	
27	881 305 000	Bracket (Generator)	1	
28	824 641 120	Bracket	1	
29	881 315 000	Bracket IV (Generator)	1	
30	807 014 030	Plug (14 x 8)	1	
31	037 114 000	Gasket (Fiber)	1	
32	806 742 090	Oil Seal (42 x 60 x 9)	1	
33	831 051 400	Guide (Oil)	1	
34	016 306 351	Bolt	2	
35	013 108 301	Stud	1	
36	016 306 101	Bolt	1	
37	842 650 100	Gutter (Transmission Oil)	1	
38	013 206 401	Stud	2	
39	840 950 100	Air Breather Unit	1	

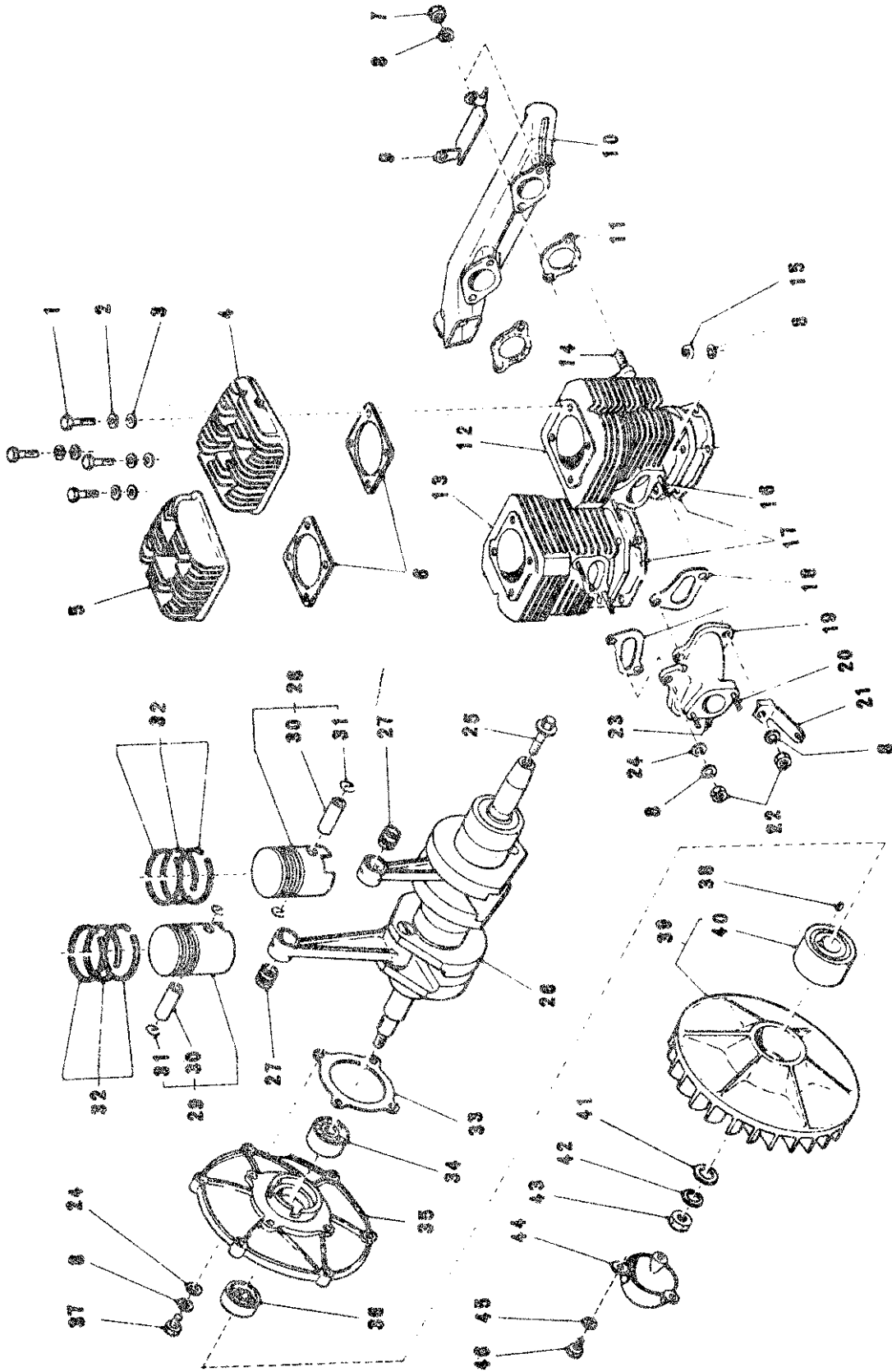
CASE & COVER

Item	Part Number	Nomenclature	Q'ty Req	Remarks
40	880 045 000	Crank Case Compl.	1	Includes: 15-17, 38, 39, 41, 42, 60, 61, 63-65
41	013 108 281	Stud	1	
42	800 808 050	Stud (8 x 22 x 22)	1	
43	031 008 002	Washer	10	
44	022 808 000	Nut	10	
45	831 010 110	Gasket (Clutch Housing)	1	
46	831 860 100	Plug (Clutch Housing Timing Hole)	1	
47	880 080 100	Housing Comple (Clutch)	1	
48	016 306 401	Bolt	4	
49	013 106 201	Stud	1	
50	022 006 000	Nut	3	
51	831 381 140	Clutch Cover	1	
52	016 306 281	Bolt	12	
53	824 991 100	Gasket (Bearing Cover)	1	
54	825 231 110	Holder (Generator Drive Shaft Bearing)	1	
55	016 306 180	Bolt	3	
56	880 650 110	Oil Seal Compl	2	
57	807 022 010	Plug (22 x 8)	2	
58	037 122 000	Gasket (Fiber)	2	
59	806 275 010	Ball Bearing (75 x 105 x 16)	2	
60	800 808 090	Stud (8 x 60 x 12)	6	
61	811 210 100	Bushing VII (Crank Case)	1	
62	806 712 050	Oil Seal	1	
63	800 808 080	Stud	1	
64	811 090 110	Sleeve V (Crank Case)	1	
65	013 108 321	Stud	2	
66	841 015 000	Gasket (Transmission Case)	1	
67	060 263 010	Ball Bearing	2	
68	880 075 000	Transmission Case Compl	1	
69	842 275 000	Gasket II (Transmission Cover)	1	
70	842 285 010	Cover II (Transmission)	1	
71	800 808 100	Stud (8 x 56 x 16)	2	

GASKET SET

Item	Part Number	Nomenclature	Q'ty Req	Remarks
	880 335 000	Gasket Set	1	Consists of 1 - 16.
1	812 301 431	Gasket (Cylinder Head)	2	
2	824 991 100	Gasket (Bearing Cover)	1	
3	822 051 400	Gasket (Carburetor)	2	
4	831 010 110	Gasket (Clutch Housing)	1	
5	811 500 100	Gasket (Clutch Case Cover)	1	
6	822 110 110	Gasket (Intake Manifold)	2	
7	880 950 100	Gasket (Exhaust Manifold)	2	
8	812 010 120	Gasket (Cylinder)	2	
9	841 015 000	Gasket (Transmission Case)	1	
10	842 255 000	Gasket (Transmission Cover)	1	
11	842 295 000	Gasket (III Transmission Cover)	1	
12	842 325 000	Gasket (IV Transmission Cover)	1	
13	037 114 000	Gasket (Fiber)	1	
14	037 122 000	Gasket (Fiber)	2	
15	842 275 000	Gasket (II Transmission Cover)	1	
16	824 201 100	Gasket (Oil Pump)	1	

ENGINE



ENGINE

Item	Part Number	Nomenclature	Q'ty Req	Remarks
1	800 210 010	Bolt (10 x 37 x 20)	8	
2	032 010 201	Spring Washer	8	
3	031 010 002	Washer	8	
4	812 365 000	Cylinder Head	1	
5	812 355 000	Cylinder Head II	1	
6	812 301 431	Gasket (Cylinder Head)	2	
7	802 008 050	Nut (8 x 6.5)	4	
8	032 008 201	Spring Washer	20	
9	816 930 100	Plate III (Exhaust Manifold)	1	
10	820 305 000	Exhaust Manifold	1	
11	880 950 100	Gasket (Exhaust Manifold)	2	
12	810 210 131	Cylinder Comple	1	
13	810 200 131	Cylinder Comple II	1	
14	800 808 140	Stud (8 x 35 x 12)	4	
15	022 808 000	Nut	4	
16	013 108 351	Stud	4	
17	812 010 120	Gasket (Cylinder)	2	
18	822 110 110	Gasket (Intake Manifold)	2	
19	820 255 000	Intake Manifold	1	
20	013 108 401	Stud	2	
21	824 651 100	Bracket II	1	
22	022 008 000	Nut	8	
23	821 835 000	Nipple (Intake Manifold)	1	
24	031 008 002	Washer	7	
25	800 112 050	Bolt (12 x 20 x 20)	1	
26	810 295 010	Crank Shaft Compl	1	
27	806 418 022	Needle Bearing	2	
28	881 255 000	Piston (1) Set (Right)	1 set	
29	881 265 000	Piston (2) Set (Left)	1 set	
30	813 500 112	Piston Pin	2	
31	805 318 020	Circlip (in)	4	
32	880 030 110	Piston Ring Set	2	
33	811 500 100	Gasket (Crank Case Cover)	1	
34	806 225 010	Ball Bearing	1	
35	811 515 110	Cover (Crank Case)	1	
36	806 725 070	Oil Seal (25 x 45 x 11)	1	
37	016 608 300	Bolt	4	
38	053 205 300	Woodruff Key	1	
39	810 600 110	Fan Compl	1	
40	810 930 100	Damper Unit (Fan)	1	

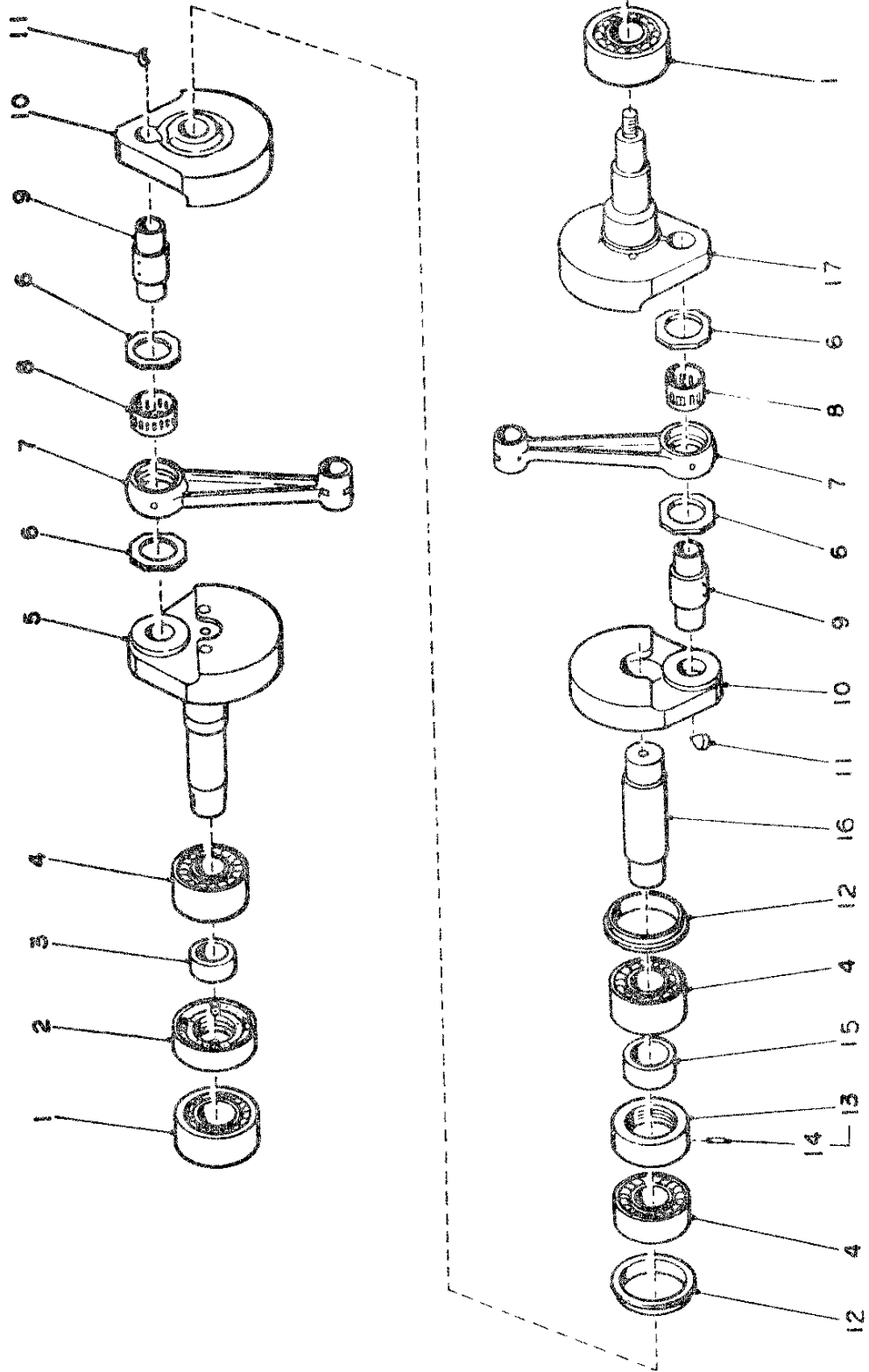
ENGINE

Item	Part Number	Nomenclature	Q'ty Req	Remarks
41	803 015 040	Washer (15 x 26 x 2.3)	1	
42	032 014 201	Spring Washer	1	
43	022 814 000	Nut	1	
44	816 140 100	Spinner (Fan)	1	
45	032 004 201	Spring Washer	3	
46	044 604 080	Screw (Flat Head)	3	

OVERSIZE PISTON & RING

Item	Part Number	Nomenclature	Q'ty Req	Remarks
	880 030 111	Over Size Piston Ring Set	2 set	0.125 mm
	880 030 112	Over Size Piston Ring Set	2 set	0.250 mm
	880 030 113	Over Size Piston Ring Set	2 set	0.500 mm
	880 030 114	Over Size Piston Ring Set	2 set	0.750 mm
	880 030 115	Over Size Piston Ring Set	2 set	1.000 mm
	880 030 116	Over Size Piston Ring Set	2 set	1.250 mm
	880 255 001	Over Size Piston (1) Set	1 set	0.250 mm
	880 255 002	Over Size Piston (1) Set	1 set	0.500 mm
	880 255 003	Over Size Piston (1) Set	1 set	0.750 mm
	880 255 004	Over Size Piston (1) Set	1 set	1.000 mm
	880 255 005	Over Size Piston (1) Set	1 set	1.250 mm
	881 265 001	Over Size Piston (2) Set	1 set	0.250 mm
	881 265 002	Over Size Piston (2) Set	1 set	0.500 mm
	881 265 003	Over Size Piston (2) Set	1 set	0.750 mm
	881 265 004	Over Size Piston (2) Set	1 set	1.000 mm
	881 265 005	Over Size Piston (2) Set	1 set	1.250 mm

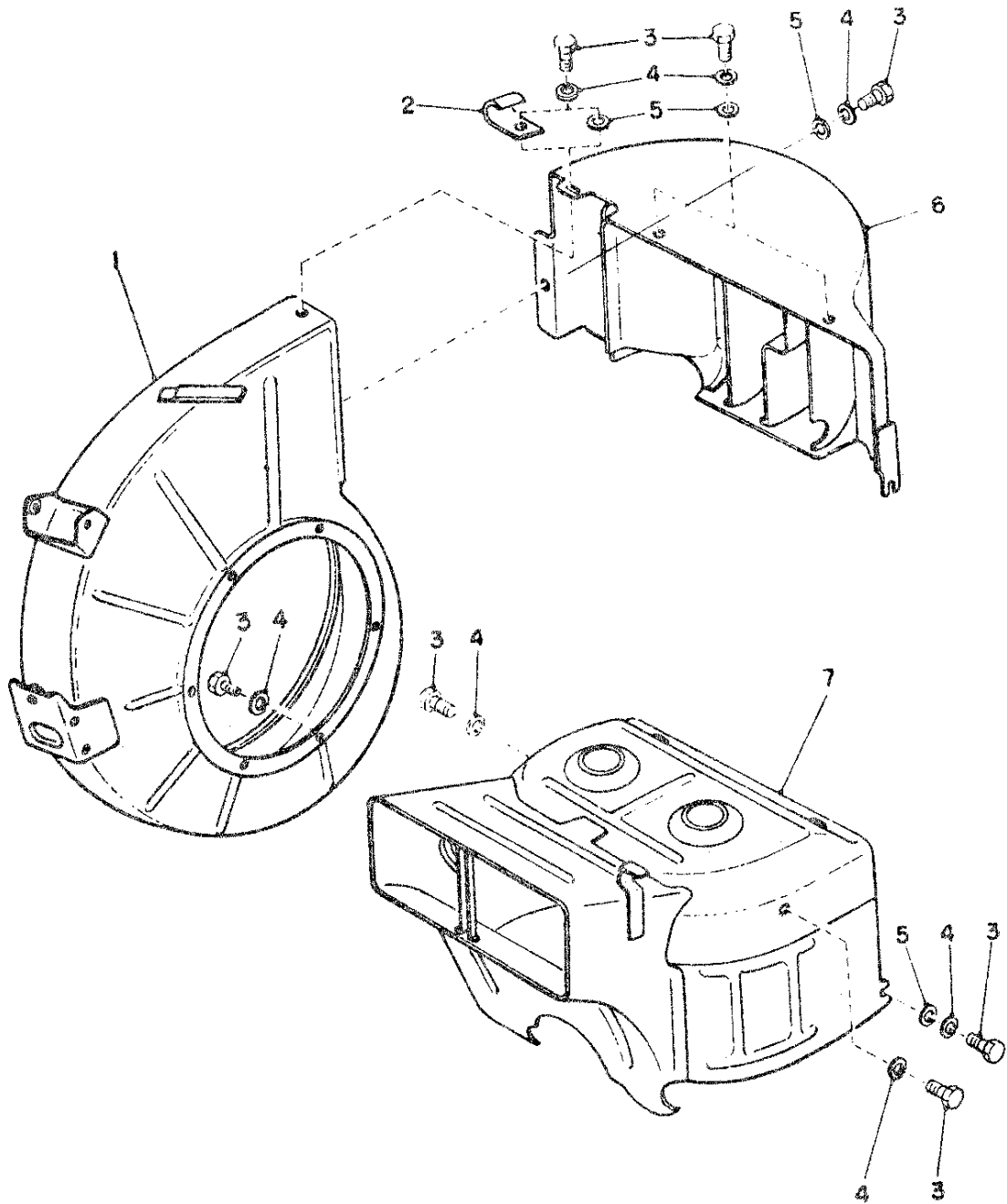
CRANKSHAFT



CRANKSHAFT

Item	Part Number	Nomenclature	Q'ty Req	Remarks
	810 295 010	Crankshaft Assy	1	Consists of 1 - 17
1	060 862 060	Ball Bearing	2	# 6206C4 (NSK)
2	806 735 050	Oil Seal (35 x 62 x 15)	1	
3	813 130 100	Spacer II (Crankshaft)	1	
4	060 562 060	Ball Bearing	3	# 6206C3 (NSK)
5	813 030 120	Crankshaft III	1	
6	803 030 010	Washer (30 x 43 x 1.0)	4	
7	813 341 120	Connecting Rod	2	
8	806 429 010	Needle Bearing (29.75 x 36.75 x 16.5)	2	
9	813 101 110	Crankpin	2	
10	813 061 100	Crankshaft Web	2	
11	813 071 100	Plug (Crankpin)	2	
12	813 081 100	Oil Slinger	2	
13	820 475 000	Labyrinth Packing	1	One Side Edge Planed off; Includes 14
14	806 105 020	Roller (5 x 10)	1	
15	813 120 110	Spacer (Crankshaft)	1	
16	813 020 100	Crankshaft II	1	
17	813 010 100	Crankshaft I	1	
	880 290 110	Bearing Big End Kit	2	Consists of 6 x 6, 8 x 1, 9 x 1
	806 225 010	Bearing	1	Not shown; Goes in fan end plate; NSK #6205

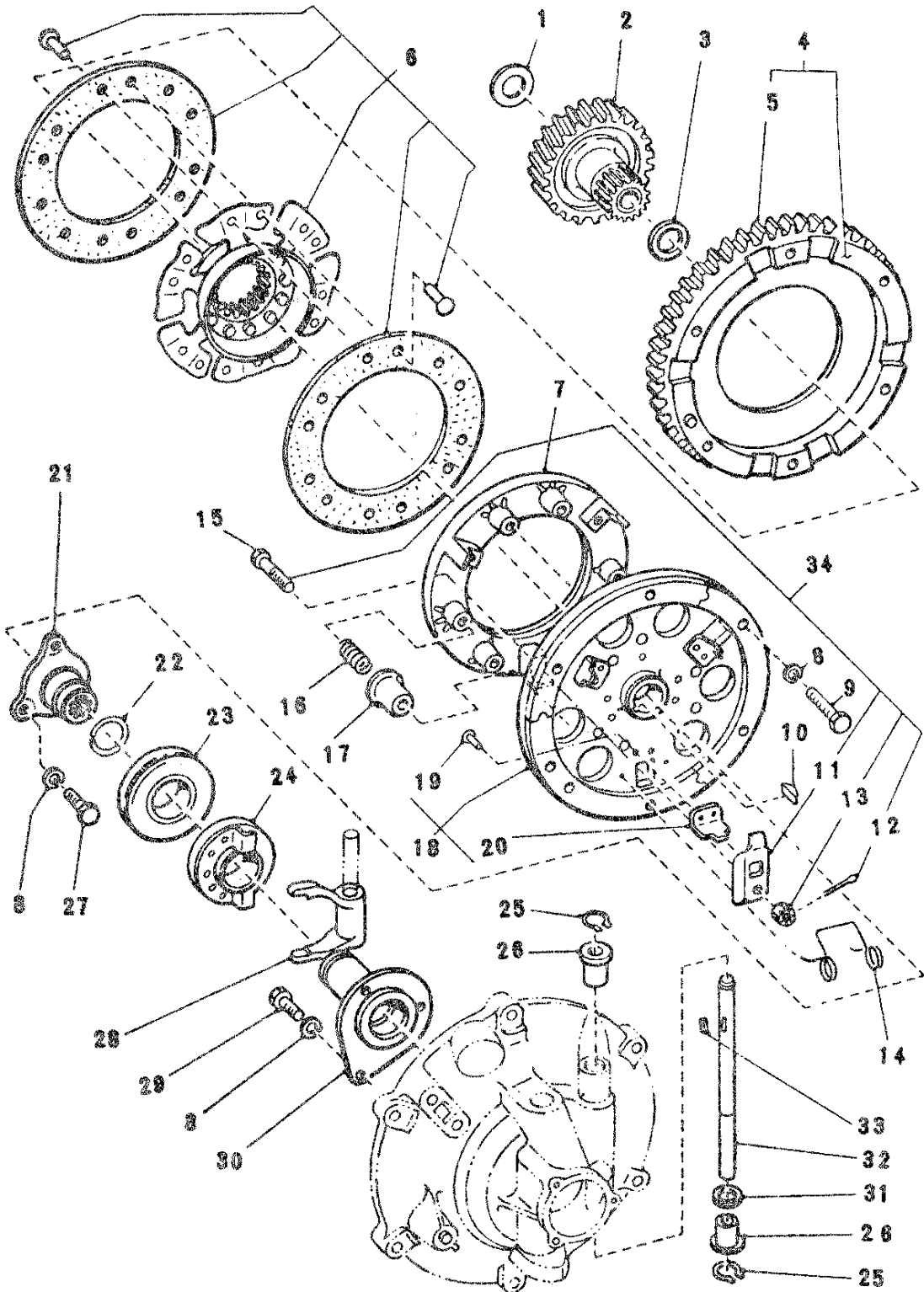
COOLING FAN COVER & DUCT



COOLING FAN COVER & DUCT

Item	Part Number	Nomenclature	Q'ty Req	Remarks
1	810 620 150	Fan Cover	1	
2	821 795 000	Clip (Fuel Pipe)	1	
3	016 306 121	Bolt	13	
4	032 006 201	Spring Washer	13	
5	031 006 002	Washer	4	
6	810 635 000	Air Duct	1	
7	810 680 120	Cowling	1	

CLUTCH
LEVER - ACTION



LEVER-ACTION CLUTCH

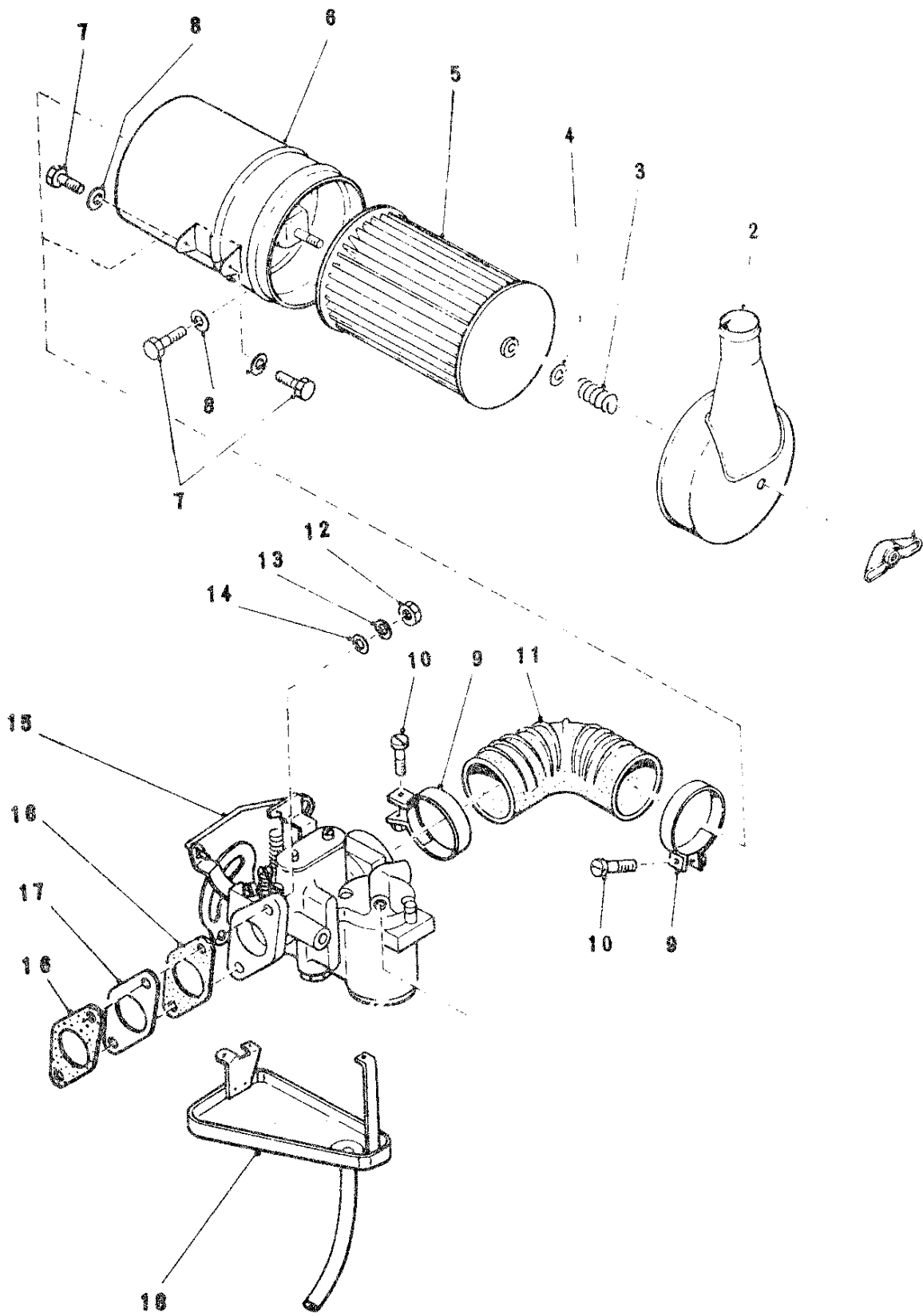
Item	Part Number	Nomenclature	Q'ty Req	Remarks
	839 990 100	Clutch Assy	1	Consists of 4 - 9, 11 - 20
1	813 180 111	Spacer (Primary Reduction Pinion)	1	t = 7.8
	813 180 112	Spacer (Primary Reduction Pinion)	1	t = 8.0
	813 180 113	Spacer (Primary Reduction Pinion)	1	t = 7.6
2	880 550 120	Primary Pinion	1	
	803 027 031	Washer (27 x 36 x 0.5)	1	
	803 027 032	Washer (27 x 36 x 0.7)	1	
	803 027 033	Washer (27 x 36 x 0.8)	1	
3	803 027 034	Washer (27 x 36 x 0.9)	1	Select one
	803 027 035	Washer (27 x 36 x 1.0)	1	
	803 027 036	Washer (27 x 36 x 1.1)	1	
	803 027 037	Washer (27 x 36 x 1.2)	1	
4	880 270 110	Fly Wheel Unit	1	Includes 5
5	831 901 400	Ring Gear (Starter)	1	
6	880 120 100	Friction Disc	1	
7	880 100 100	Pressure Plate	1	
8	032 006 201	Spring Washer	12	
9	016 306 221	Bolt	6	
10	053 205 400	Woodruff Key	1	
11	880 340 100	Clutch Release Lever	3	
12	051 012 150	Cotter Pin	3	
13	880 350 100	Castel Nut (6 x 5)	3	
14	880 180 100	Return Spring (Clutch)	3	
15	880 360 100	Bolt (6 x 34 x 10)	3	
16	880 150 100	Clutch Spring	6	
17	880 160 100	Cap (Clutch Spring)	6	
18	880 140 110	Clutch Cover	1	Includes 19, 20
19	880 570 100	Rivet (4 x 15)	6	
20	880 170 100	Seat (Release Lever)	3	
21	831 851 430	Coupling	1	
22	805 232 010	Snap Ring (Inner - 32)	1	
23	831 511 400	Bearing (Clutch Release)	1	
24	830 991 410	Holder (Release Bearing)	1	
25	805 014 010	Snap Ring (Outer - 14)	2	
26	831 710 100	Bushing (Release Fork Shaft)	2	
27	016 306 181	Bolt	3	
28	831 610 100	Release Fork (Clutch)	1	
29	016 306 251	Bolt	3	
30	887 101 100	Guide II (Release Bearing)	1	

LEVER-ACTION CLUTCH

Item	Part Number	Nomenclature	Q'ty Req	Remarks
31	831 721 400	Sealing (Release Fork Shaft)	1	
32	831 620 100	Release Fork Shaft	1	
33	053 004 151	Key	1	
34	880 260 100	Release Bolt Unit (Clutch)	1	Consists of 11 - 13, 15

BLANK PAGE

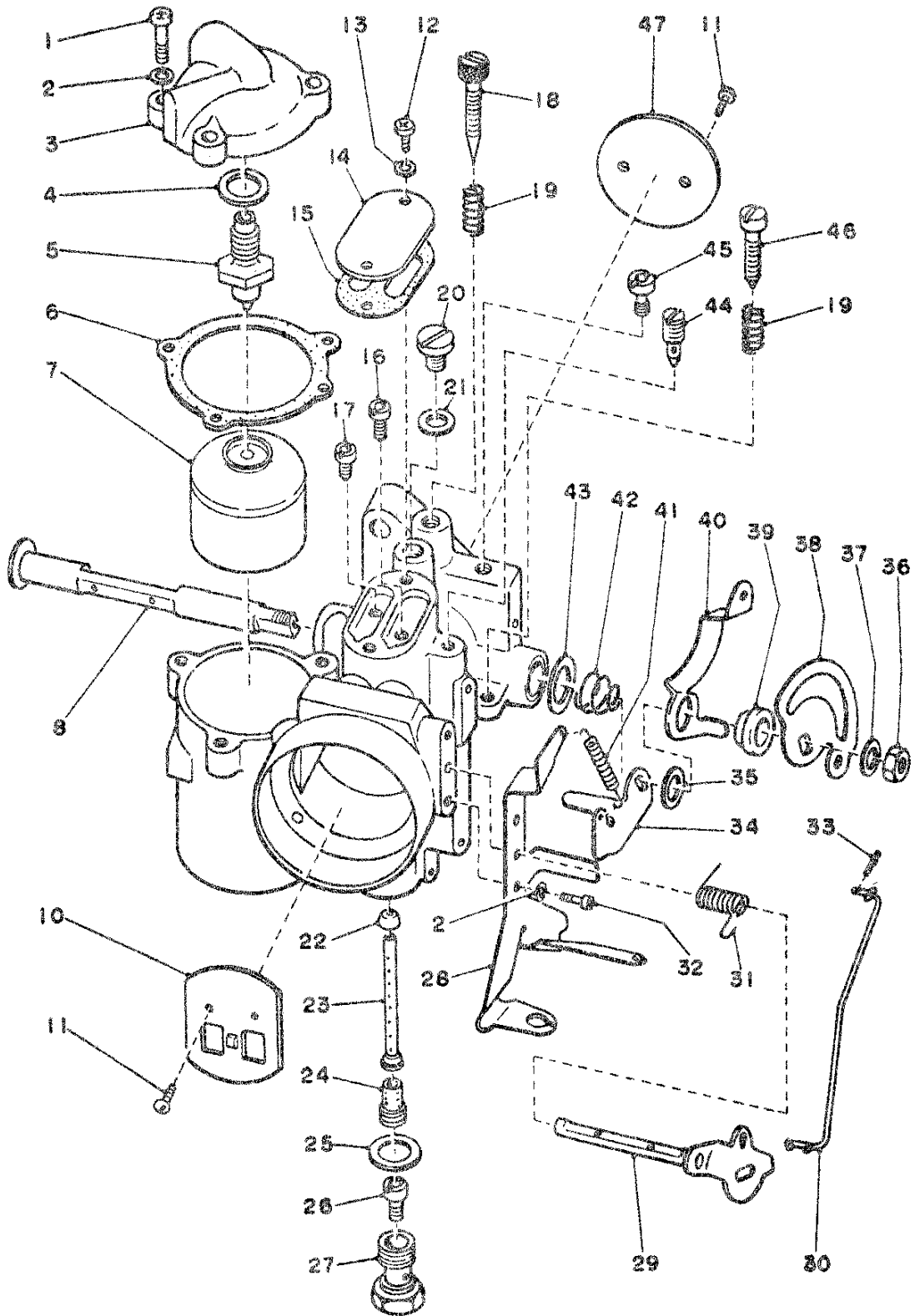
AIR CLEANER & FUEL SYSTEM



AIR CLEANER & FUEL SYSTEM

Item	Part Number	Nomenclature	Q'ty Req	Remarks
	829 995 000	Air Cleaner Assy	1	Includes 1 - 6
1	821 310 110	Wing Nut	1	
2	820 170 110	Cover (Air Cleaner Case)	1	
3	821 611 410	Spring (Air Cleaner)	1	
4	803 006 060	Washer (6.5 x 30 x 1)	1	
5	821 455 000	Element (Air Cleaner)	1	Oil Wet Type
6	820 150 110	Case (Air Cleaner)	1	
7	016 306 101	Bolt	3	
8	032 006 201	Spring Washer	3	
9	820 320 110	Band (Clamp)	2	
10	801 304 030	Screw (4 x 28 x 24)	2	
11	821 700 100	Hose (Air Cleaner)	1	
12	022 008 000	Nut	2	
13	032 008 201	Spring Washer	2	
14	031 008 002	Washer	2	
15	829 975 000	Carburetor	1	
16	822 051 400	Gasket (Carburetor)	2	
17	822 061 400	Insulator (Carburetor)	1	
18	887 040 700	Saucer (Carburetor)	1	

CARBURETOR (HITACHI)



CARBURETOR (HITACHI)

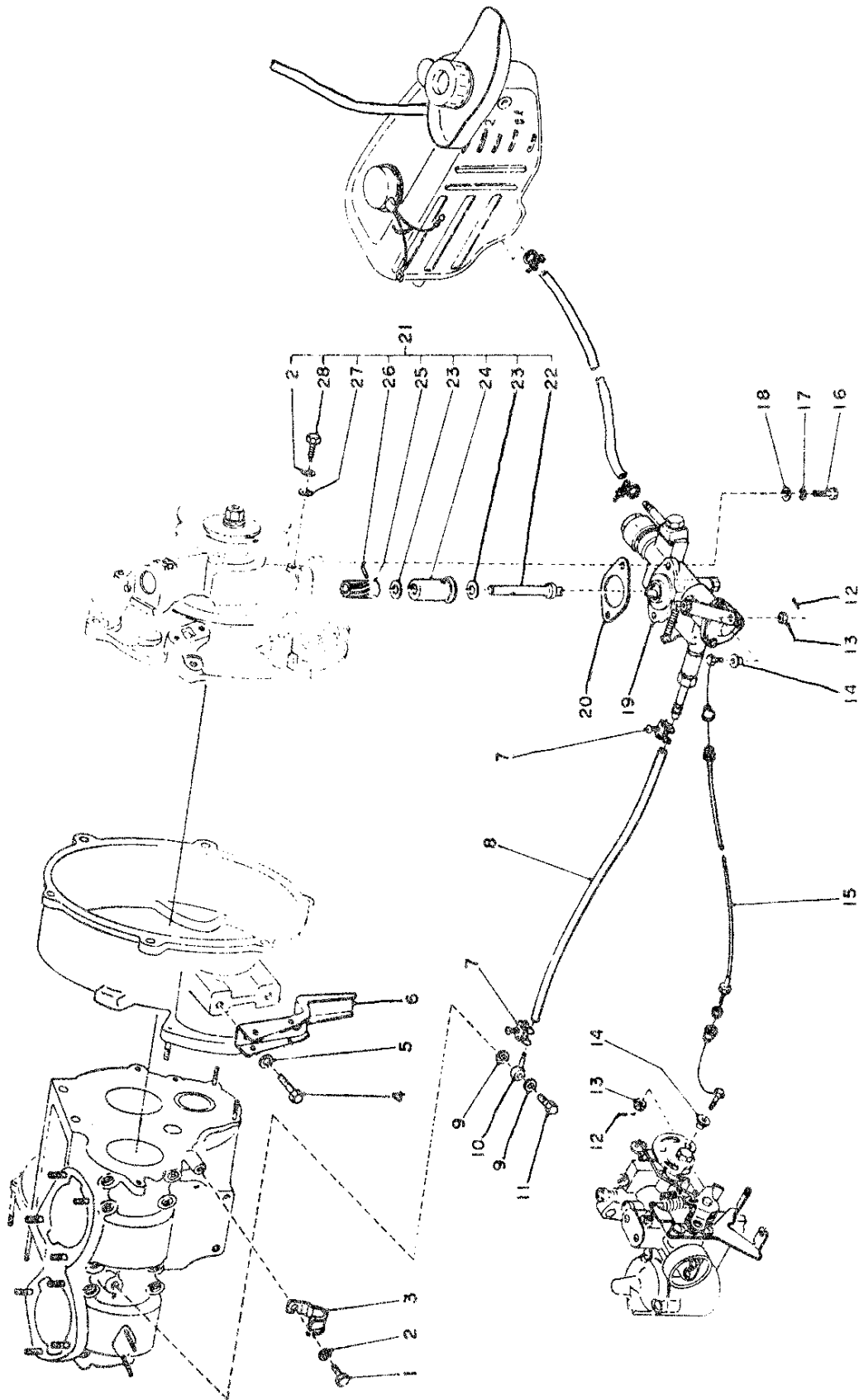
Item	Part Number	Nomenclature	Q'ty Req	Remarks
	829 975 000	Carburetor	1	HAB 28 - 12
1	894 415 001	Screw	3	
2	032 005 000	Spring Washer	5	
3	894 050 121	Float Chamber Cover	1	
4	894 200 101	Gasket (Needle Valve)	1	
5	894 390 101	Needle Valve	1	2.0
6	894 160 101	Gasket (Float Bowl Cover)	1	
7	894 350 101	Float (Carburetor)	1	
8	894 270 131	Throttle Valve Shaft	1	
10	894 180 111	Choke Valve	1	
11	894 321 411	Screw	4	
12	894 665 001	Screw	2	
13	032 004 000	Spring Washer	2	
14	894 190 101	Air Chamber Cover	1	
15	894 091 401	Gasket (Air Chamber Cover)	1	
16	894 000 101	Plug (Slow Air Bleed)	1	#130
17	894 025 001	Plug (Main Air Bleed)	1	
18	894 291 411	Idling Adjust Screw	1	
19	894 301 401	Spring (Idling Adjuster Scev)	2	
20	894 340 101	Plug (Bypass)	1	
21	894 380 101	Gasket (Bypass Plug)	1	
22	894 451 401	Washer (Main Nozzle)	1	
23	894 041 401	Main Nozzle	1	
24	894 140 101	Retainer (Main Nozzle)	1	
25	894 360 101	Gasket (Main Nozzle Retainer)	1	
26	894 570 811	Main Metering Jet	1	#112
27	894 370 121	Retainer (Main Metering Jet)	1	
28	894 170 101	Bracket	1	
29	894 220 111	Choke Lever Shaft	1	
30	894 230 121	Connecting Rod	1	
31	894 111 411	Spring (Choke Lever Shaft)	1	
32	894 420 111	Screw (Cable Bracket)	1	
33	051 010 080	Cotter Pin	1	
34	894 280 101	Throttle Adjust Lever	1	
35	894 400 101	Washer (Starting Lever)	1	
36	894 331 401	Nut (Throttle Lever)	1	
37	032 008 000	Spring Washer	1	
38	894 210 111	Throttle Leve	1	
39	894 250 101	Sleeve (Starting Lever)	1	

CARBURETOR (HITACHI)

Item	Part Number	Nomenclature	Q'ty Req	Remarks
40	894 240 121	Starting Lever	1	
41	894 131 411	Spring (Throttle Adjust Lever)	1	
42	894 071 401	Spring (Starting Lever)	1	
43	894 151 401	Washer (Starting Lever)	1	
44	894 080 101	Slow Jet	1	#45
45	894 615 011	Spare Main Metering Jet	1	#108
46	894 311 411	Throttle Adjust Screw	1	
47	894 061 401	Throttle Valve	1	

BLANK PAGE

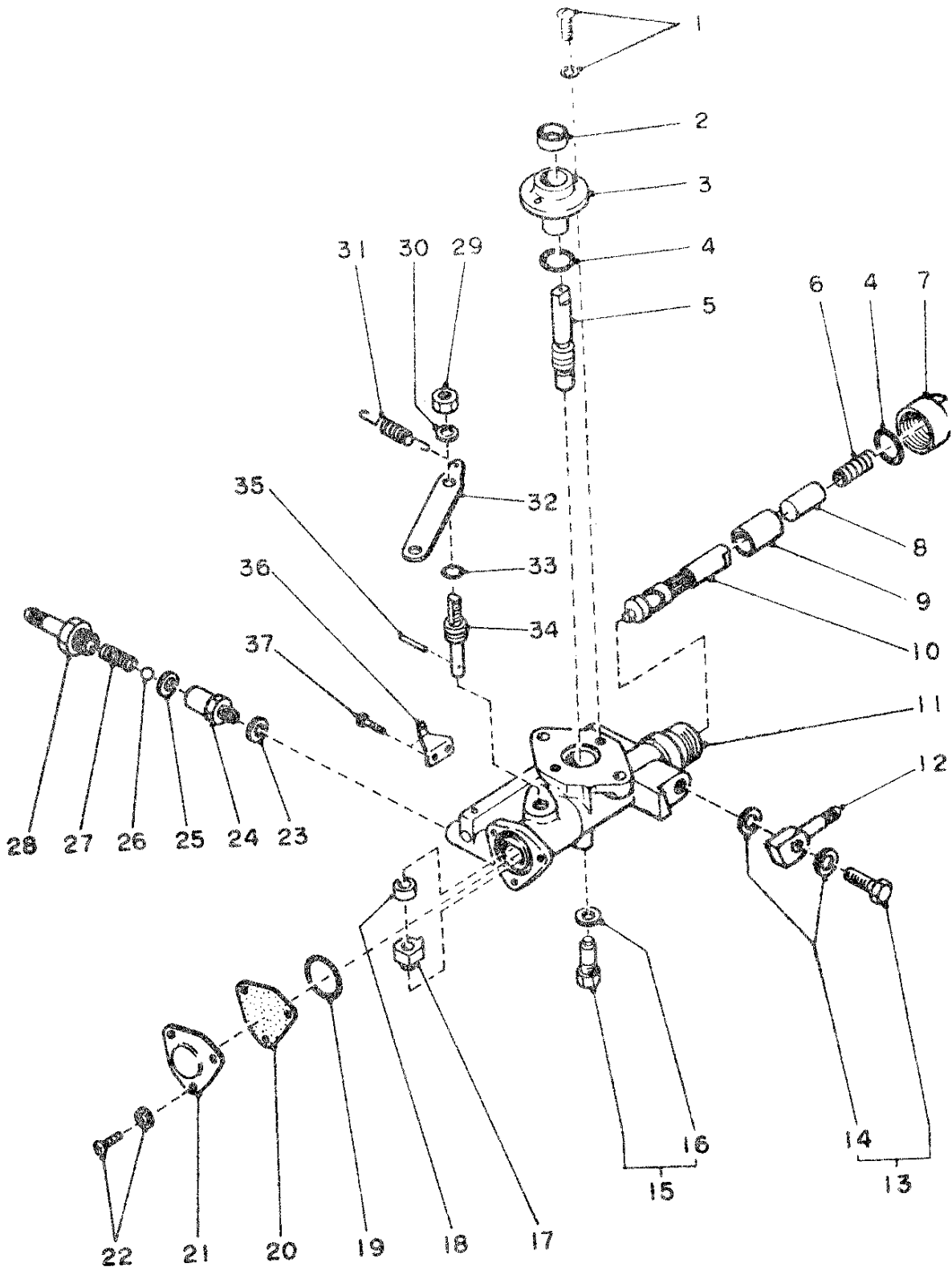
ENGINE OIL SYSTEM



ENGINE OIL SYSTEM

Item	Part Number	Nomenclature	Q'ty Req	Remarks
1	016 306 101	Bolt	1	
2	032 006 201	Spring Washer	2	
3	824 621 100	Clamp (Oil Pump Hose)	1	
4	016 608 200	Bolt	2	
5	032 008 201	Spring Washer	2	
6	824 311 100	Holder (Oil Pump Body)	1	
7	805 910 020	Hose Clamp	2	
8	824 571 100	Hose (Oil Pump)	1	
9	037 010 000	Gasket (Aluminum)	2	
10	824 551 110	Union Banjo (Oil Pump)	1	
11	824 561 110	Union Screw	1	
12	051 012 100	Cotter Pin	2	
13	021 805 000	Nut	2	
14	114 541 100	Spacer	2	
15	820 481 140	Oil Pump Cable	1	
16	800 105 050	Bolt (5 x 20 x 15)	2	
17	032 005 201	Spring Washer	2	
18	031 005 002	Washer	2	
19	820 431 130	Mechanical Pump	1	
20	824 201 100	Gasket (Oil Pump Body)	1	
21	890 041 110	Shaft & Screw Set	1	Consists of 2 x 1, 22 - 28
22	824 101 110	Shaft (Oil Pump)	1	
23	803 110 010	Washer (10.5 x 18 x 0.8)	2	
24	824 111 120	Bushing (Oil Pump Shaft)	1	
25	825 510 100	Driven Gear (Distributor)	1	
26	804 003 020	Straight Pin (3.2 x 20)	1	
27	031 006 002	Washer	1	
28	824 051 120	Set Screw	1	
	890 031 100	Bushing & Screw Set	1	Consists of 2 x 1, 24, 27, 28

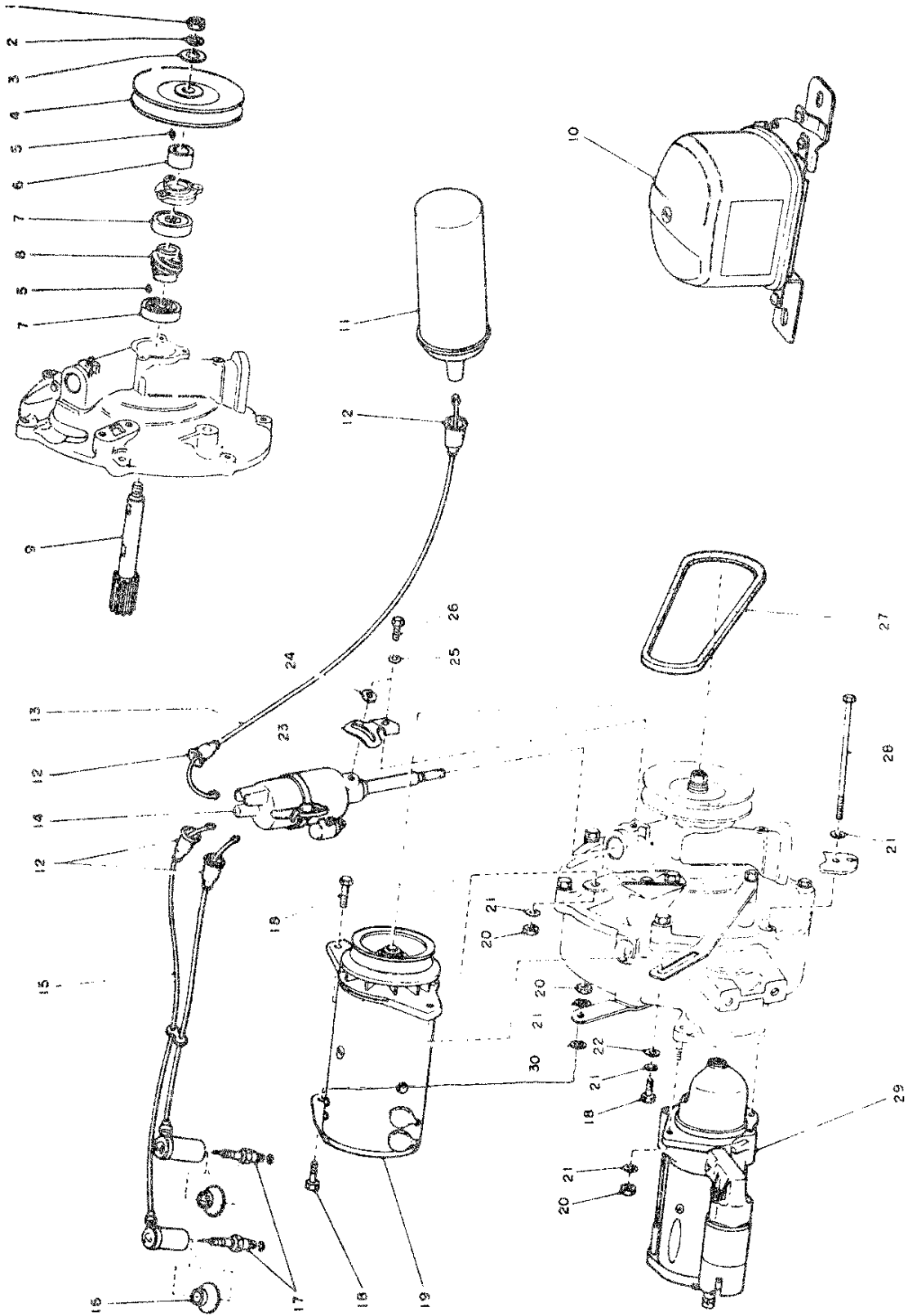
MECHANICAL PUMP



MECHANICAL PUMP

Item	Part Number	Nomenclature	Q'ty Req	Remarks
	820 431 130	Mechanical Pump Compl	1	
1	893 371 113	Screw & Spring Washer	2	
2	893 161 103	Oil Seal	1	
3	893 011 103	Worm Bearing A	1	
4	893 131 103	"O" Ring	2	
5	893 231 103	Driving Worm	1	
6	893 261 103	Spring (Differential Plunger)	1	
7	893 001 103	Cap (Differential Cylinder)	1	
8	893 241 103	Plunger (Differential)	1	
9	893 251 113	Cylinder (Differential)	1	
10	893 221 103	Plunger	1	
11	893 181 143	Body (Pump)	1	
12	893 191 113	Banjo Connection	1	
13	893 391 113	Banjo Bolt Set	1	
14	893 061 103	Banjo Washer	2	
15	893 361 103	Plunger Guide Set	1	
16	893 111 113	Washer (Guide)	1	
17	893 271 133	Cam	1	
18	893 041 103	Ring (Cam Shaft)	1	
19	893 401 113	"O" Ring	1	
20	893 411 113	Diaphragm	1	
21	893 421 113	Plate (Cam Casing)	1	
22	893 431 113	Screw & Spring Washer	2	
23	893 441 103	Washer (Aluminum)	1	
24	893 451 103	Body (Check Valve)	1	
25	893 351 113	Washer (Aluminum)	1	
26	893 331 103	Steel Ball	1	
27	893 341 103	Spring (Check Valve)	1	
28	893 201 103	Outlet Screw	1	
29	021 706 000	Nut	1	
30	032 006 000	Spring Washer	1	
31	893 311 103	Spring (Leve Return)	1	
32	893 291 103	Control Lever	1	
33	893 021 103	"O" Ring (Cam Shaft)	1	
34	893 281 103	Cam Shaft	1	
35	893 031 113	Cotter Pin (Cam)	1	
36	893 461 103	Bracket (Return Spring)	1	
37	893 471 123	Screw	2	

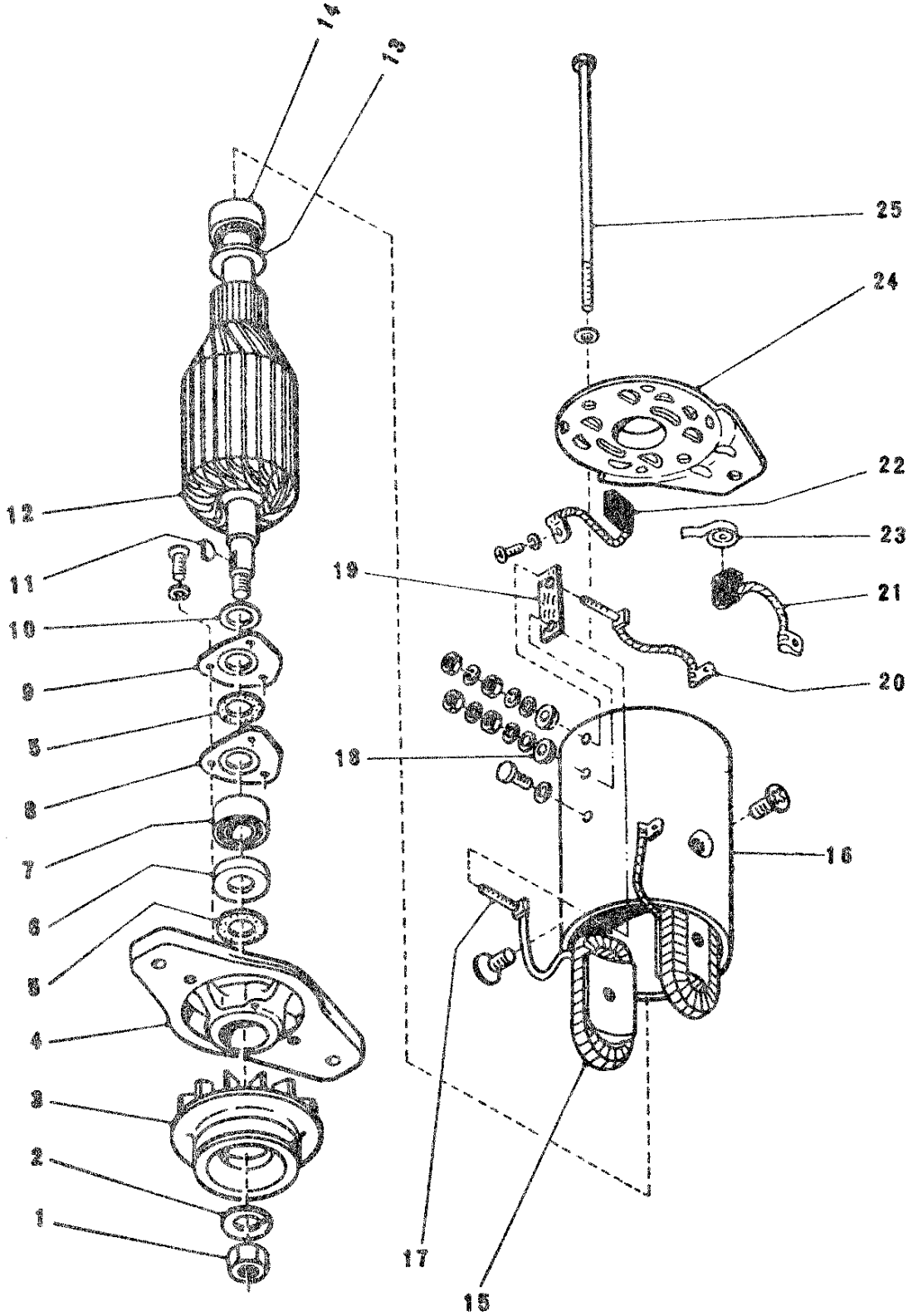
ELECTRICAL EQUIPMENT



ELECTRICAL EQUIPMENT

Item	Part Number	Nomenclature	Q'ty Req	Remarks
1	022 810 000	Nut	1	
2	032 010 201	Spring Washer	1	
3	031 010 002	Washer	1	
4	825 260 100	Pulley (Generator)	1	
5	053 204 201	Woodruff Key	2	
6	825 241 400	Spacer (Generator Pulley)	1	
7	060 162 011	Ball Bearing	2	
8	825 501 410	Driving Gear (Distributor)	1	
9	825 541 420	Driving Shaft (Distributor)	1	
10	829 890 512	Regulator	1	Nippon Denso
11	829 880 111	Ignition Coil	1	
12	825 985 000	Cap (Spark Plug Cord)	4	
13	881 245 000	Cord (Distributor)	1	
14	829 875 000	Distributor	1	Nippon Denso
15	881 235 000	Cord (Spark Plug)	1	
16	825 870 100	Sealing (Spark Plug Cap)	2	
17	820 541 800	Spark Plug	2	
18	016 608 200	Bolt	2	
19	829 900 102	Generator	1	Nippon Denso
20	022 808 000	Nut	3	
21	032 008 201	Spring Washer	5	
22	031 008 002	Washer	1	
23	825 530 100	Clamp (Distributor)	1	
24	825 660 100	Washer (Distributor Clamp)	1	
25	032 006 201	Spring Washer	2	
26	800 106 110	Bolt (6 x 16 x 14)	2	
27	809 110 100	V Belt (1/2" x 24")	1	
28	800 108 100	Bolt (8 x 100 x 16)	1	
29	829 910 141	Starter Motor	1	Hitachi
	803 008 021	Adjusting Washer		t = 0.33mm
30	803 008 022	Adjusting Washer	0 - 1	t = 0.6mm
	803 008 024	Adjusting Washer		t = 0.8mm

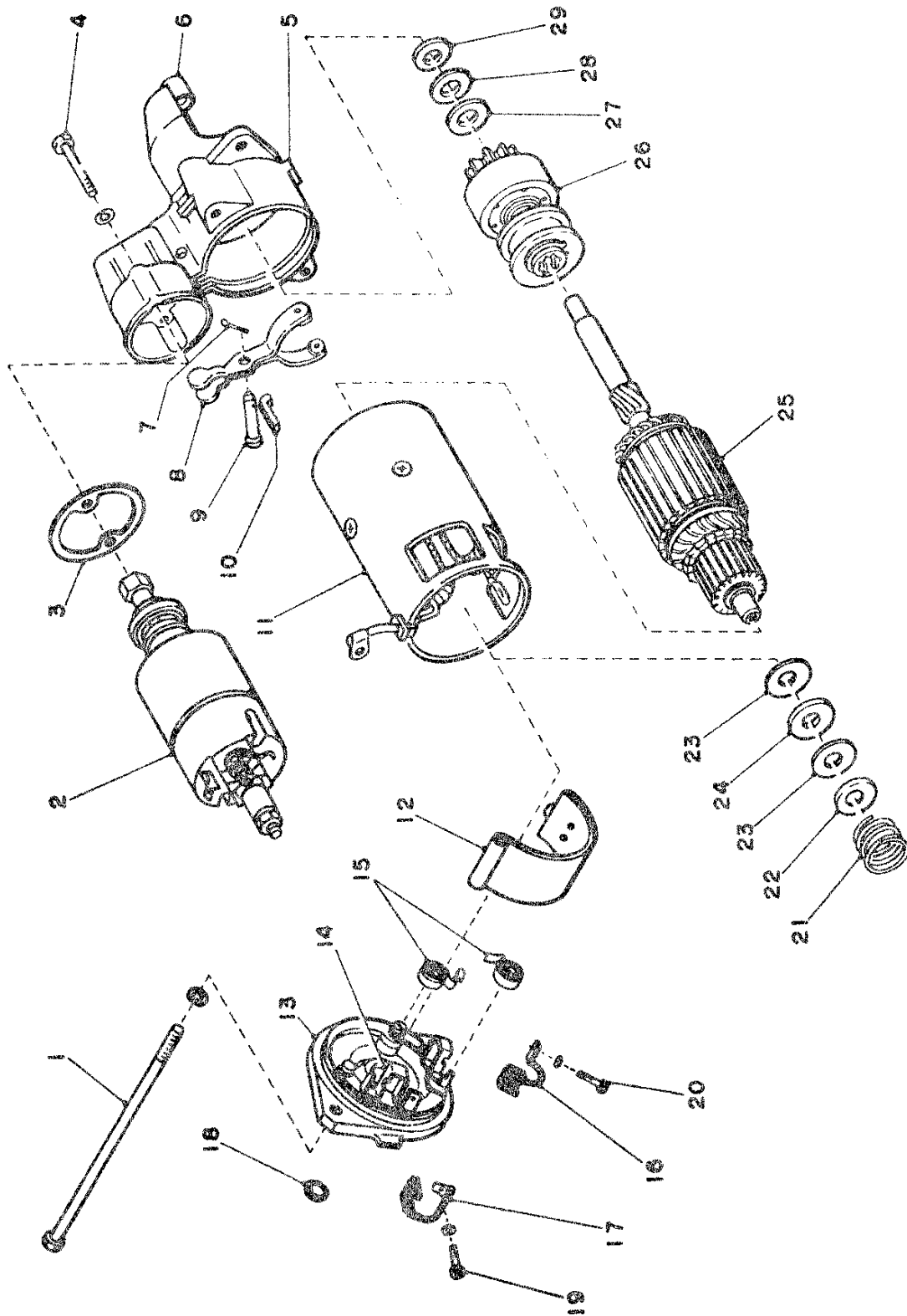
GENERATOR (NIPPON DENSO)



GENERATOR (NIPPON DENSO)

Item	Part Number	Nomenclature	Q'ty Req	Remarks
	829 900 102	Generator	1	
1	895 170 302	Nut	1	
2	032 012 000	Spring Washer	1	
3	895 000 302	Pulley (Generator)	1	
4	895 010 312	Front Cover (Generator)	1	
5	895 150 302	Oil Felt (Generator Bearing)	2	
6	895 190 302	Cover I (Oil Felt)	1	
7	060 162 020	Ball Bearing	1	
8	895 270 302	Plate (Generator Bearing)	1	
9	895 250 302	Cover II (Oil Felt)	1	
10	895 180 302	Spacer (Armature)	1	
11	895 031 402	Key	1	
12	895 040 302	Armature	1	
13	895 260 302	Spacer (Generator Bearing)	1	
14	895 020 302	Ball Bearing	1	
15	895 050 302	Field Coil	1	
16	895 080 302	York (Generator)	1	
17	895 160 312	Bolt (Terminal)	1	
18	895 230 312	Insulator (Terminal)	2	
19	895 220 302	Plate (Terminal)	1	
20	895 210 312	A Terminal (Generator)	1	
21	895 110 302	Brush I (Commutator)	1	
22	895 120 302	Brush II (Commutator)	1	
23	895 100 302	Spring (Commutator Brush)	2	
24	895 280 302	Rear Cover (Generator)	1	
25	895 090 302	Bolt (6 x 14.6 x 7)	2	

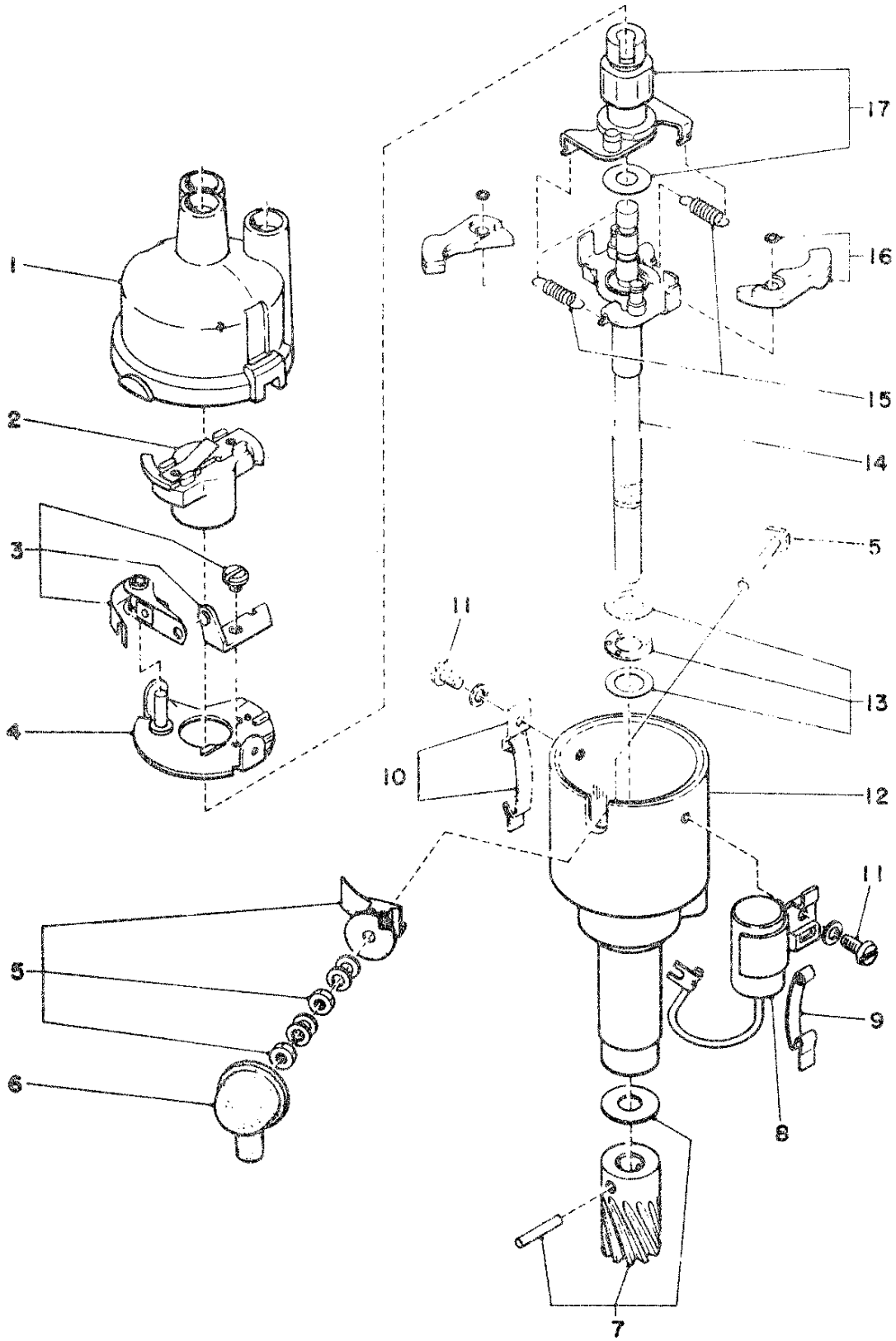
STARTER MOTOR (HITACHI)



STARTER MOTOR (HITACHI)

Item	Part Number	Nomenclature	Q'ty Req	Remarks
	829 910 141	Starter Motor	1	
1	892 940 111	Bolt (5 x 130 x 17)	2	
2	892 100 161	Starter Switch	1	
3	892 710 121	Gasket (Starter Pinion Housing)	1	
4	892 740 121	Bolt (5 x 30 x 10)	2	
5	892 010 151	Housing (Starter Pinion)	1	Includes 6
6	892 220 111	Bushing (Armature Shaft)	1	
7	051 016 100	Cotter Pin	1	
8	892 110 131	Lever (Starter Pinion)	1	
9	892 080 111	Pin (Starter Pinion Lever)	1	
10	892 240 111	Sealing (Starter Pinion Housing)	1	
11	892 020 111	Frame (Starter Field)	1	
12	892 030 111	Band (Starter Motor)	1	
13	892 040 121	Holder (Commutator End)	1	
14	892 220 111	Bushing (Armature Shaft)	1	
15	892 050 111	Spring (Commutator Brush)	2	
16	892 060 111	Brush I (Commutator)	1	
17	892 070 111	Brush II (Commutator)	1	
18	892 660 101	Plug (Commutator End Holder)	1	
19	040 105 060	Screw	1	
20	040 105 100	Screw	1	
21	892 130 111	Spring (Armature Brake)	1	
22	892 950 101	Washer (9.8 x 10.5 x 1.0)	1	
23	892 670 121	Washer (9.8 x 26 x 0.6)	2	
24	892 120 111	Plate (Armature Brake Spring)	1	
25	892 000 131	Armature (Starter Motor)	1	
26	892 860 111	Pinion (Starter Motor)	1	
27	892 650 121	Washer (9.8 x 18 x 1.2)	1	
28	892 630 121	Washer (9.8 x 18 x 0.2)	1	
29	892 640 111	Washer (9.8 x 18 x 1.7)	1	

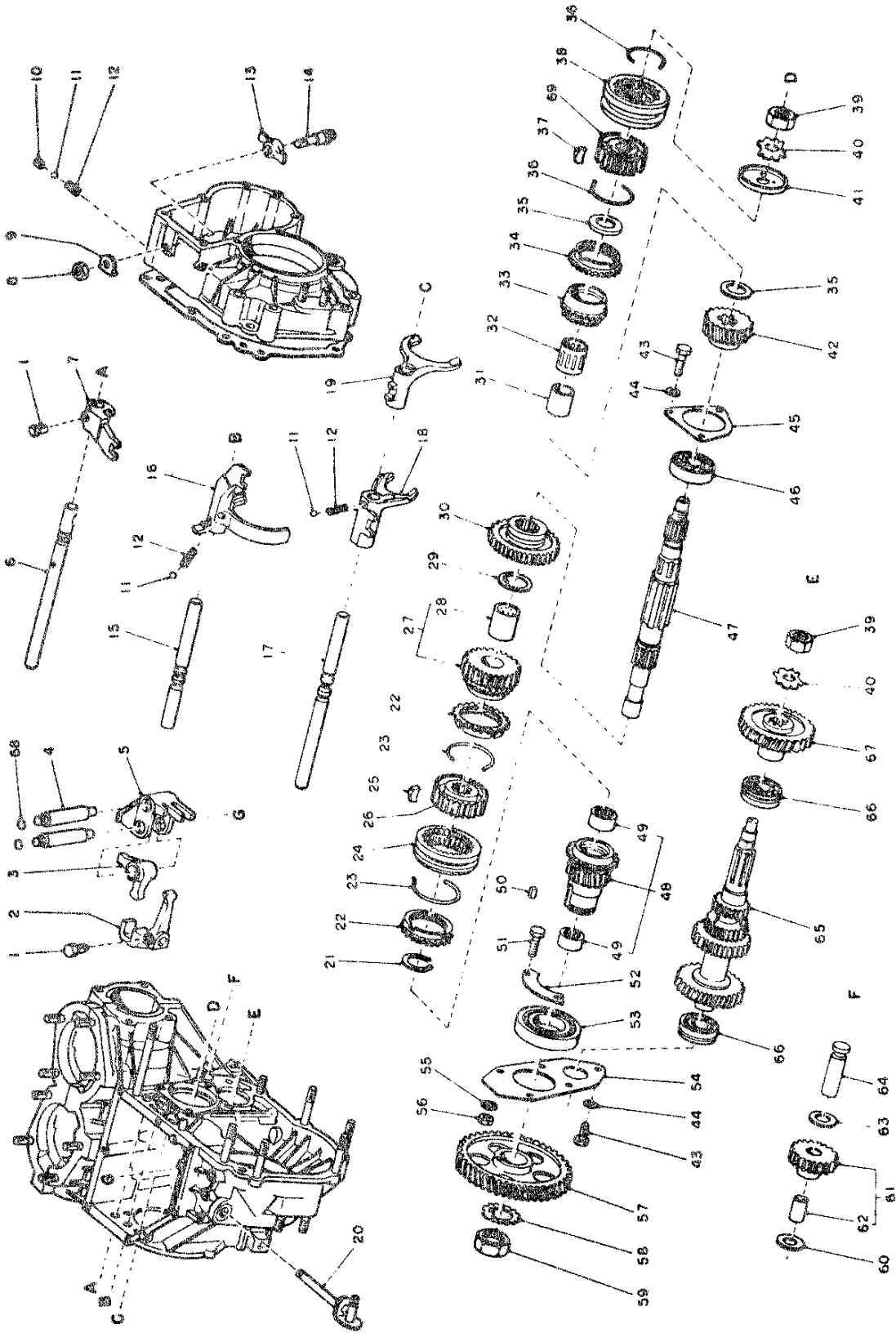
DISTRIBUTOR



DISTRIBUTOR

Item	Part Number	Nomenclature	Q'ty Req	Remarks
	829 875 002	Distributor Assembly	1	
1	891 000 112	Cap Assembly	1	
2	891 010 122	Rotor Head	1	
3	880 310 120	Contact Set (Points)	1 set	
4	891 050 122	Breaker Plate Assembly	1	
5	880 240 130	Terminal Assembly	1	
6	891 180 102	Terminal Cover	1	
7	891 430 102	Pinion Set	1 set	
8	891 020 112	Condenser Unit	1	
9	891 400 112	Cap Clamp	1	
10	891 410 102	Cap Clamp Set (2)	1 set	
11	891 240 112	Screw	2	
12	891 160 132	Housing	1	
13	891 500 102	Thrust Needle Set	1 set	
14	891 125 012	Shaft Assembly	1	
15	891 450 102	Governer Spring Set	1 set	
16	891 420 112	Governer Weight Set	2 set	
17	891 445 002	Cam Assembly Set	1 set	

TRANSMISSION



TRANSMISSION

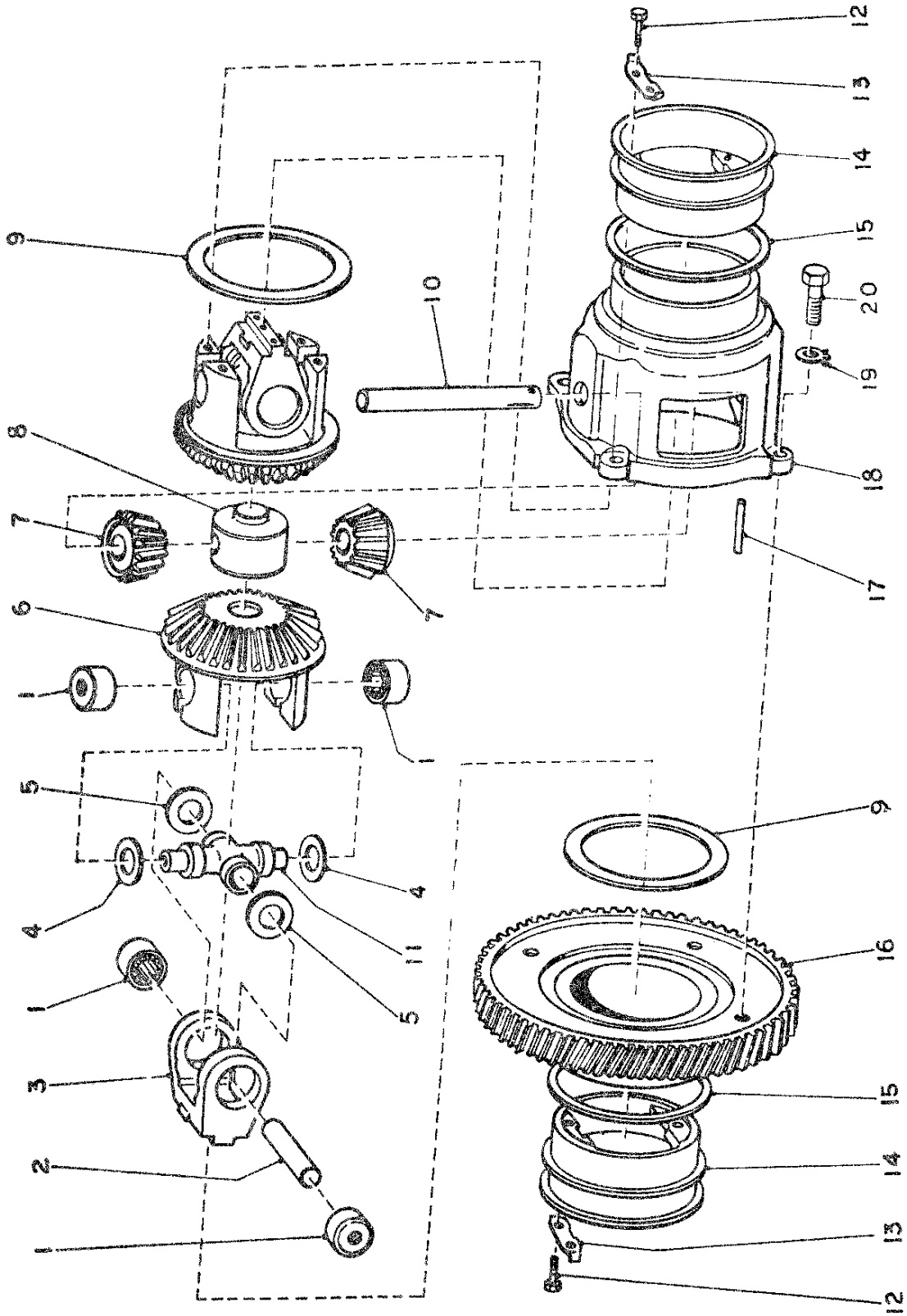
Item	Part Number	Nomenclature	Q'ty Req	Remarks
1	842 094 100	Set Screw (Shifter Fork)	2	
2	842 165 000	Arm (Selector)	1	
3	842 115 000	Arm (Shifter)	1	
4	842 135 000	Shaft (Shifter Arm)	2	
5	842 235 000	Arm II (Selector)	1	
6	842 065 000	Rail III (Shifter Fork)	1	=200
7	842 125 000	Arm II (Shifter)	1	
8	022 808 000	Nut	1	
9	803 508 060	Lock Washer (8.5 x 24 x 0.8)	1	
10	807 008 010	Plug (8 x 12)	1	
11	806 006 010	Ball (16.350)	3	
12	842 071 400	Spring (Shifter Fork Rail)	3	Discern Blue
13	842 215 000	Lever (Over Drive)	1	
14	842 145 000	Shaft (Over Drive Lever)	1	
15	842 055 000	Rail II (Shifter Fork)	1	=162.1
16	842 025 000	Shifter Fork II	1	
17	842 045 000	Rail (Shifter Fork)	1	=222.5
18	842 015 000	Shifter Fork	1	
19	842 035 000	Shifter Fork III	1	
20	840 435 010	Shaft Comple (Gear Selector Arm)	1	
21	805 022 020	Snap Ring (Out)	1	
22	841 784 100	Ring (Synchronizer)	1	Number of Grooves: 12
23	841 774 100	Spring (Synchronizer Hub)	2	
24	841 805 010	Sleeve (Synchronizer)	2	
25	841 794 100	Insert (Synchronizer Hub)	1	
26	841 755 000	Hub (Synchronizer)	3	
27	840 195 010	Gear Compl (Second Drive)	1	Number of Teeth: 31
28	841 495 000	Bushing (Second Drive Gear)	1	
29	803 125 010	Washer (25 x 28 x 1)	1	
30	841 455 000	Gear (Low Drive)	1	Number of Teeth: 36
31	841 635 000	Bushing (Over Drive Drive Gear)	1	
32	806 425 010	Needle Bearing (25 x 30 x 25)	1	
33	841 645 000	Gear (Over Drive Drive)	1	Number of Teeth: 20
34	841 835 000	Ring II (Synchronizer)	1	
35	803 020 060	Washer (20.5 x 34 x 2)	2	
36	841 770 110	Spring (Synchronizer Hub)	2	
37	841 795 000	Insert (Synchronizer Hub)	2	

TRANSMISSION

Item	Part Number	Nomenclature	Q'ty Req	Remarks
38	841 815 000	Sleeve II (Synchronizer)	1	
39	802 016 010	Nut (16 x 8)	2	
40	803 516 040	Lock Washer (16.5 x 40 x 1)	2	
41	842 835 010	Stopper (Synchronizer)	1	
42	841 595 000	Pinion (Final)	1	Number of Teeth: 18
43	016 306 181	Bolt	6	
44	032 006 201	Spring Washer	6	
45	811 420 100	Plate III (Crank Case Bearing)	1	
46	806 225 040	Ball Bearing	1	#6305 (NSK Special Type)
47	841 415 010	Shaft (Transmission Main)	1	
48	840 155 000	Gear Compl (Transmission Main Drive)	1	Number of Teeth: 23
49	806 418 010	Needle Bearing (18 x 25 x 15)	2	TA - 1815
50	053 105 151	Key	1	
51	800 106 130	Bolt (6 x 25.5 x 25.5)	2	Stamp H
52	811 400 100	Plate (Crank Case Bearing)	1	
53	060 060 080	Ball Bearing	1	#6008
54	811 415 000	Plate II (Crank Case Bearing)	1	
55	803 406 010	Tooth Lock Washer (6.4 x 11 x 0.6)	2	
56	022 006 000	Nut	2	
57	841 260 120	Gear (Primary)	1	Number of Teeth: 61
58	803 534 010	Lock Washer (34.1 x 49 x 1)	1	
59	802 034 010	Nut (34 x 6)	1	
60	803 115 010	Washer (15.3 x 28 x 0.8)	1	
61	840 235 000	Gear Compl (Reverse Idler)	1	Number of Teeth: 22
62	841 565 000	Bushing (Reverse Idler Gear)	1	
63	803 115 030	Washer (15.3 x 28 x 2)	1	
64	841 575 000	Shaft (Reverse Idler Gear)	1	
65	841 535 000	Gear (Transmission Counter)	1	
66	806 220 040	Ball Bearing (20 x 42 x 12)	2	#6004 NR
67	841 625 000	Gear (Over Drive Drive)	1	Number of Teeth: 41
68	806 907 020	"O" Ring (7.8 x 1.5)	2	
69	841 765 000	Hub II (Synchronizer)	1	

BLANK PAGE

DIFFERENTIAL



DIFFERENTIAL

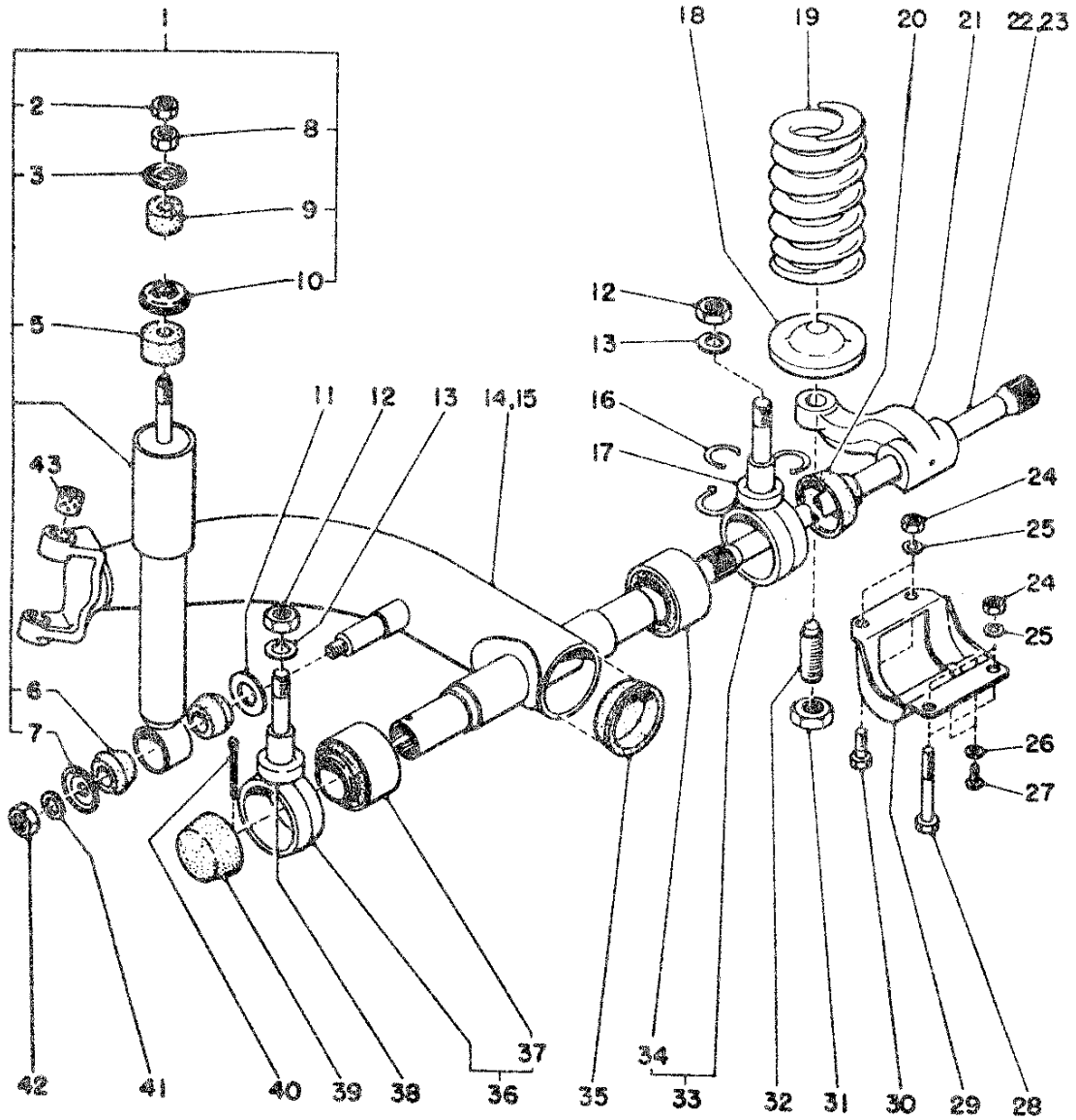
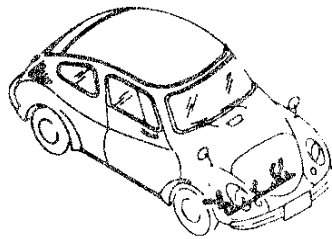
Item	Part Number	Nomenclature	Q'ty Req	Remarks
	887 050 100	Universal Joint Set	2	Consists of 1, 2, 11
1	830 980 100	Needle Unit (Universal Joint)	8	
2	834 220 100	Shaft (Universal Joint)	2	
3	834 231 400	Yoke (Universal Joint)	2	
	803 011 011	Washer (11.2 x 24 x 1.48)		
	803 011 012	Washer (11.2 x 24 x 1.50)		
	803 011 013	Washer (11.2 x 24 x 1.52)		
	803 011 014	Washer (11.2 x 24 x 1.54)		
	803 011 015	Washer (11.2 x 24 x 1.56)		
	803 011 016	Washer (11.2 x 24 x 1.58)		
4	803 011 017	Washer (11.2 x 24 x 1.60)	4	Select One
	803 011 018	Washer (11.2 x 24 x 1.65)		
	803 011 051	Washer (11.2 x 24 x 1.49)		
	803 011 052	Washer (11.2 x 24 x 1.51)		
	803 011 053	Washer (11.2 x 24 x 1.53)		
	803 011 054	Washer (11.2 x 24 x 1.55)		
	803 011 055	Washer (11.2 x 24 x 1.57)		
	803 011 056	Washer (11.2 x 24 x 1.59)		
	803 010 011	Washer (10.8 x 24 x 1.48)		
	803 010 011	Washer (10.8 x 24 x 1.50)		
	803 010 011	Washer (10.8 x 24 x 1.52)		
	803 010 011	Washer (10.8 x 24 x 1.54)		
	803 010 011	Washer (10.8 x 24 x 1.56)		
	803 010 011	Washer (10.8 x 24 x 1.58)		
5	803 010 011	Washer (10.8 x 24 x 1.60)	4	Select One
	803 010 011	Washer (10.8 x 24 x 1.65)		
	803 010 051	Washer (10.8 x 24 x 1.49)		
	803 010 052	Washer (10.8 x 24 x 1.51)		
	803 010 053	Washer (10.8 x 24 x 1.53)		
	803 010 054	Washer (10.8 x 24 x 1.55)		
	803 010 055	Washer (10.8 x 24 x 1.57)		
	803 010 056	Washer (10.8 x 24 x 1.59)		
6	834 200 120	Side Gear (Differential)	2	
7	834 150 110	Pinion (Differential)	2	
	834 161 411	Block (Pinion Shaft)		
8	834 161 412	Block (Pinion Shaft)	1	Select One
	834 161 413	Block (Pinion Shaft)		
9	803 165 011	Washer (65.2 x 80 x 0.950)	2	Select One
	803 165 012	Washer (65.2 x 80 x 0.975)		

DIFFERENTIAL

Item	Part Number	Nomenclature	Q'ty Req	Remarks
	803 165 013	Washer (65.2 x 80 x 1.000)		
9	803 165 014	Washer (65.2 x 80 x 1.025)	2	Select One
	803 165 015	Washer (65.2 x 80 x 1.050)		
10	834 141 400	Shaft (Differential Pinion)	1	
11	834 210 100	Crow (Universal Joint)	2	
12	800 106 100	Bolt (6 x 14 x 11)	8	
13	834 291 400	Lock Washer (Oil Seal Sleeve)	4	
14	834 281 440	Sleeve (Oil Seal)	2	
15	803 077 010	Washer (77 x 82 x 0.2)	0 - 3	
16	834 010 110	Final Reduction Gear	1	Number of Teeth: 65
17	804 004 040	Straight Pin (4 x 35)	1	
18	834 120 100	Differential Case	1	
19	803 509 010	Lock Washer (9.2 x 15 x 1)	4	
20	800 209 010	Bolt (9 x 21 x 6)	4	

BLANK PAGE

FRONT SUSPENSION



FRONT SUSPENSION

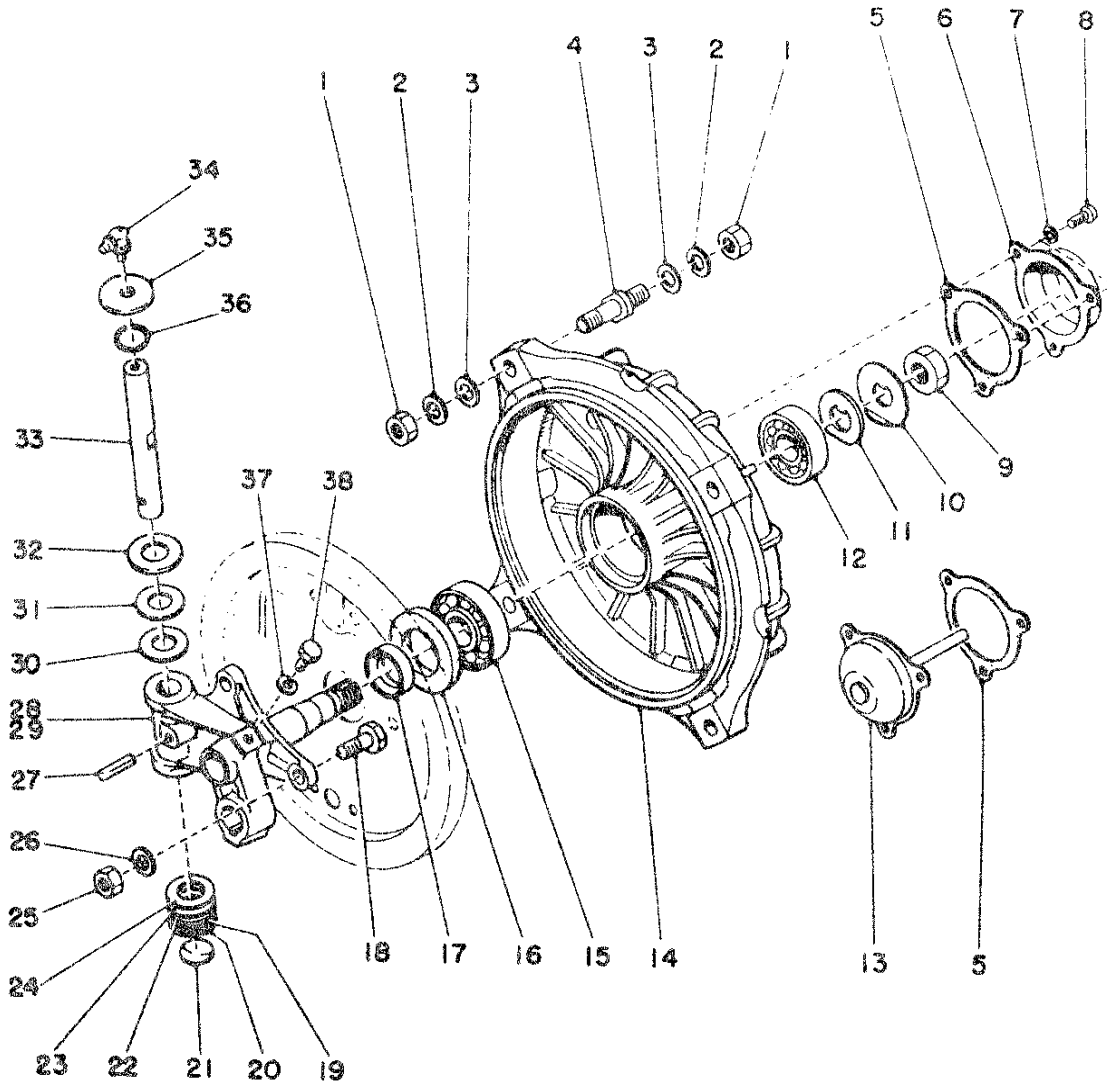
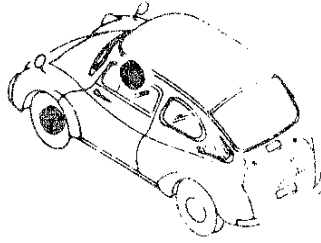
Item	Part Number	Nomenclature	Q'ty Req	Remarks	
1	112 418 000	Oil Damper (Front)	2	Includes 2 - 10	
2	022 810 000	Nut (10)	2		
3	621 006 080	Washer A (Oil Damper)	2		
5	112 416 020	Rubber Bushing (Oil Damper)	2		
6	122 410 030	Cushion Rubber (Oil Damper)	4		
7	112 416 050	Washer (Oil Damper)	2		
8	021 810 000	Nut (10)	2		
9	621 011 020	Rubber Bushing (Oil Damper)	2		
10	621 006 120	Washer C (Oil Damper)	2		
11	031 016 000	Washer	2		
12	902 170 001	Nut	4		
13	032 012 000	Spring Washer	4		
14	112 223 900	Trailing Arm (Right)	1		Includes 35, 43
15	112 224 900	Trailing Arm (Left)	1		Includes 35, 43
16	112 100 200	Shim	6		
17	112 200 190	Washer (Inner Bracket)	2		
18	142 210 071	Plate (Center Spring)	1		
19	112 220 031	Center Spring (Front)	1		
20	112 200 281	Boot (Torsion Bar - Front)	2		
21	142 210 034	Center Arm (Front)	1		
22	112 220 011	Torsion Bar (Front - Right)	1		
23	112 220 021	Torsion Bar (Front - Left)	1		
24	021 808 000	Nut (8)	4		
25	032 008 000	Spring Washer	4		
26	032 005 000	Spring Washer	2		
27	043 105 120	Screw	2		
28	015 608 602	Bolt (8 x 63)	2		
29	142 208 000	Bracket (Center Arm - Front)	1		
30	015 608 303	Bolt (8 x 28)	2		
31	022 716 000	Nut	1		
32	112 210 330	Bolt (Center Arm - Front)	1		
33	112 203 003	Inner Bracket	2		Includes 34
34	112 202 033	Rubber Bushing (Inner Bracket)	2		Includes 37
35	112 215 141	Plug (Trailing Arm)	2		
36	112 202 003	Outer Bracket	2		
37	112 202 023	Rubber Bushing (Outer Bracket)	2		
38	112 200 230	Washer (Outer Bracket)	2		
39	112 210 060	Boot (Trailing Arm)	2		
40	051 040 400	Cotter Pin	2		

FRONT SUSPENSION

Item	Part Number	Nomenclature	Q'ty Req	Remarks
41	032 010 000	Spring Washer	2	
42	021 710 000	Nut	2	
43	112 213 220	Nylon Bushing (Trailing Arm)	4	

BLANK PAGE

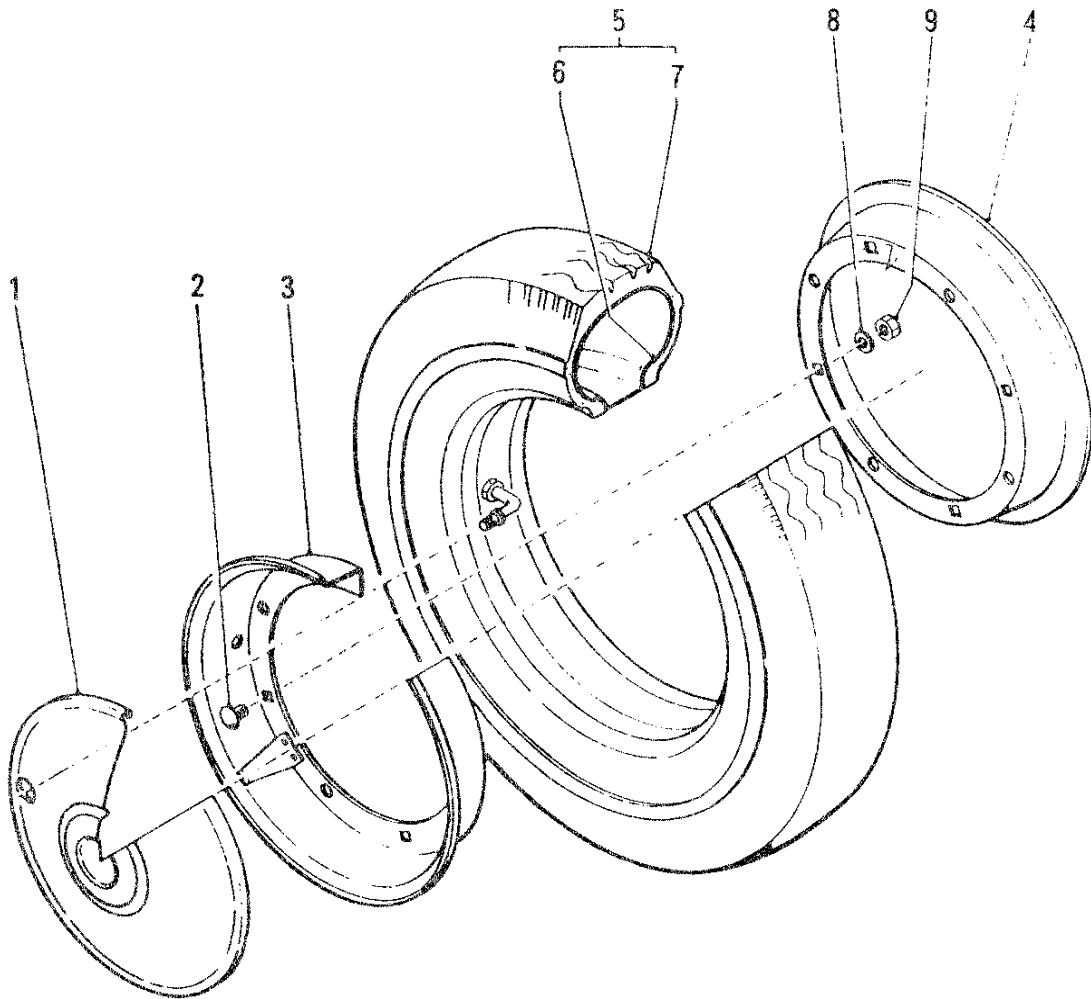
FRONT AXLE



FRONT AXLE

Item	Part Number	Nomenclature	Q'ty Req	Remarks
1	021 810 000	Nut (10)	16	
2	032 010 000	Spring Washer	16	
3	031 010 000	Washer	16	
4	623 805 001	Bolt (Brake Drum)	8	
5	112 300 180	Packing (Cap)	2	
6	112 300 230	Cap (Right)	1	
7	032 005 000	Spring Washer	6	
8	043 105 100	Screw	6	
9	902 200 001	Nut (16)	2	
10	112 300 170	Washer (Locking)	2	
11	112 300 160	Washer (Knuckle - Outer)	2	
12	061 030 203	Roller Bearing	2	
13	112 300 221	Cap (Left)	1	
14	112 307 002	Brake Drum (Front)	2	
15	061 030 204	Roller Bearing	2	
16	062 230 505	Oil Seal	2	
17	142 300 150	Spacer (Knuckle - Inner)	2	
18	901 500 004	Bolt (8 x 18)	6	
19	112 300 350	Shim (Thrust Washer)	2	
20	112 300 360	Shim (Thrust Washer)	2	
21	112 300 080	Plug (King Pin)	2	
22	112 300 340	Shim (Thrust Washer)	2	
23	112 300 330	Shim (Thrust Washer)	2	
24	112 300 320	Shim (Thrust Washer)	2	
25	021 808 000	Nut (8)	6	
26	032 008 000	Spring Washer	6	
27	112 300 060	Knock Pin (King Pin)	2	
28	112 300 011	Knuckle (Right)	1	
29	112 300 021	Knuckle (Left)	1	
30	112 300 100	Thrust Washer (King Pin - Lower)	2	
31	112 300 091	Thrust Washer (King Pin - Upper)	2	
32	112 300 110	Cover (Thrust Washer)	2	
33	112 310 050	King Pin	2	
34	909 000 002	Grease Nipple	2	
35	112 300 070	Cover (King Pin)	2	
36	062 915 111	"O" Ring	2	
37	032 006 000	Spring Washer	1	
38	901 700 001	Bolt (6 x 7.5)	1	
	112 310 950	King Pin Set	1	CONSISTS OF 19-14, 21, 30-36, page 46 - item 42

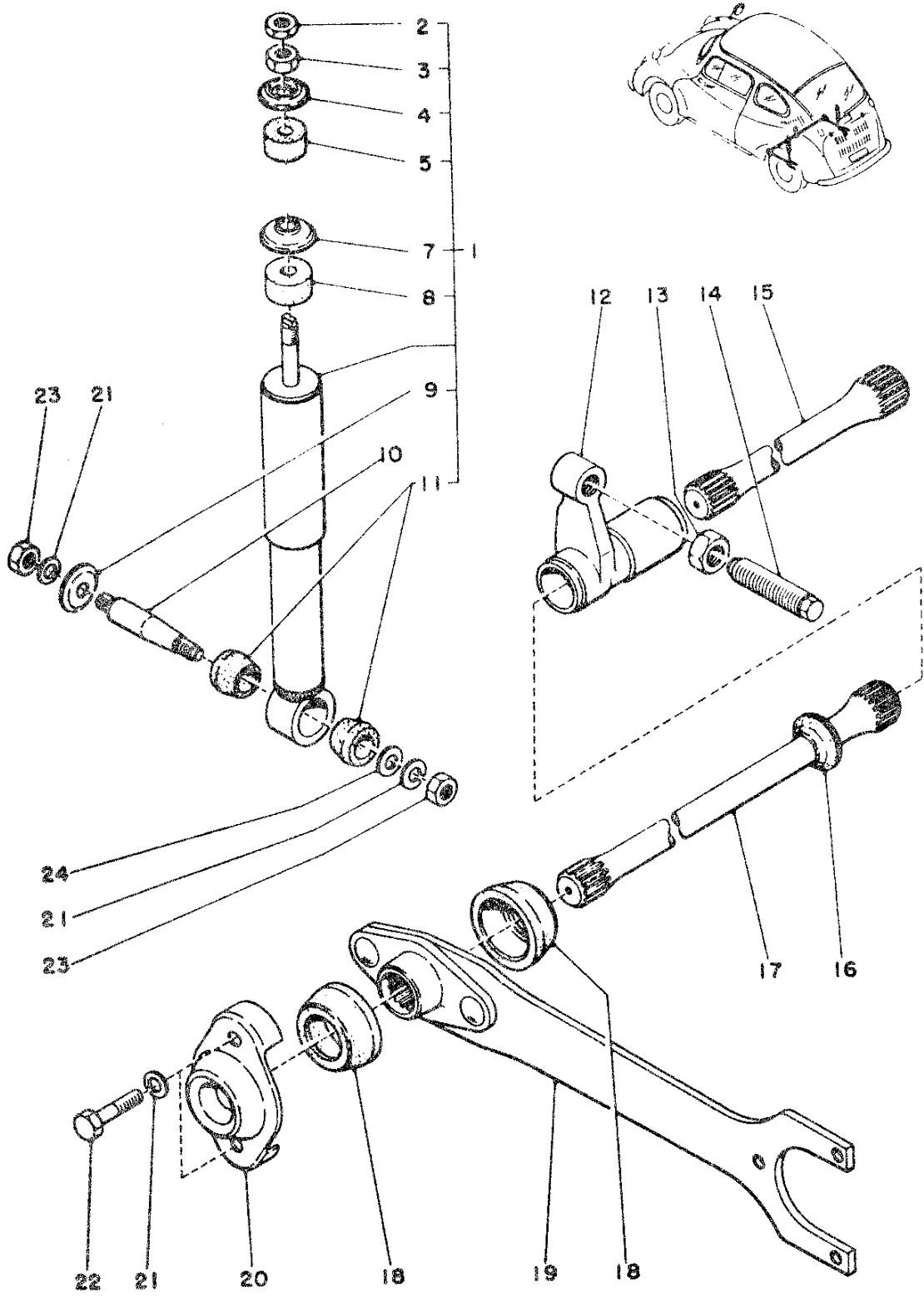
WHEEL RIM & TIRE



WHEEL RIM & TIRE

Item	Part Number	Nomenclature	Q'ty Req	Remarks
1	122 300 303	Wheel Cap	4	
2	112 311 030	Bolt (Rim)	20	
3	623 101 000	Rim A (Tire)	5	
4	623 101 020	Rim B (Tire)	5	
5	122 309 001	Tire - Tube (4.80 - 10 - 2P R)	5	Consists of 7, 8
6	112 309 020	Tube	5	
7	122 309 011	Tire (White Line)	5	
8	032 008 000	Spring Washer	20	
9	902 100 020	Nut	20	

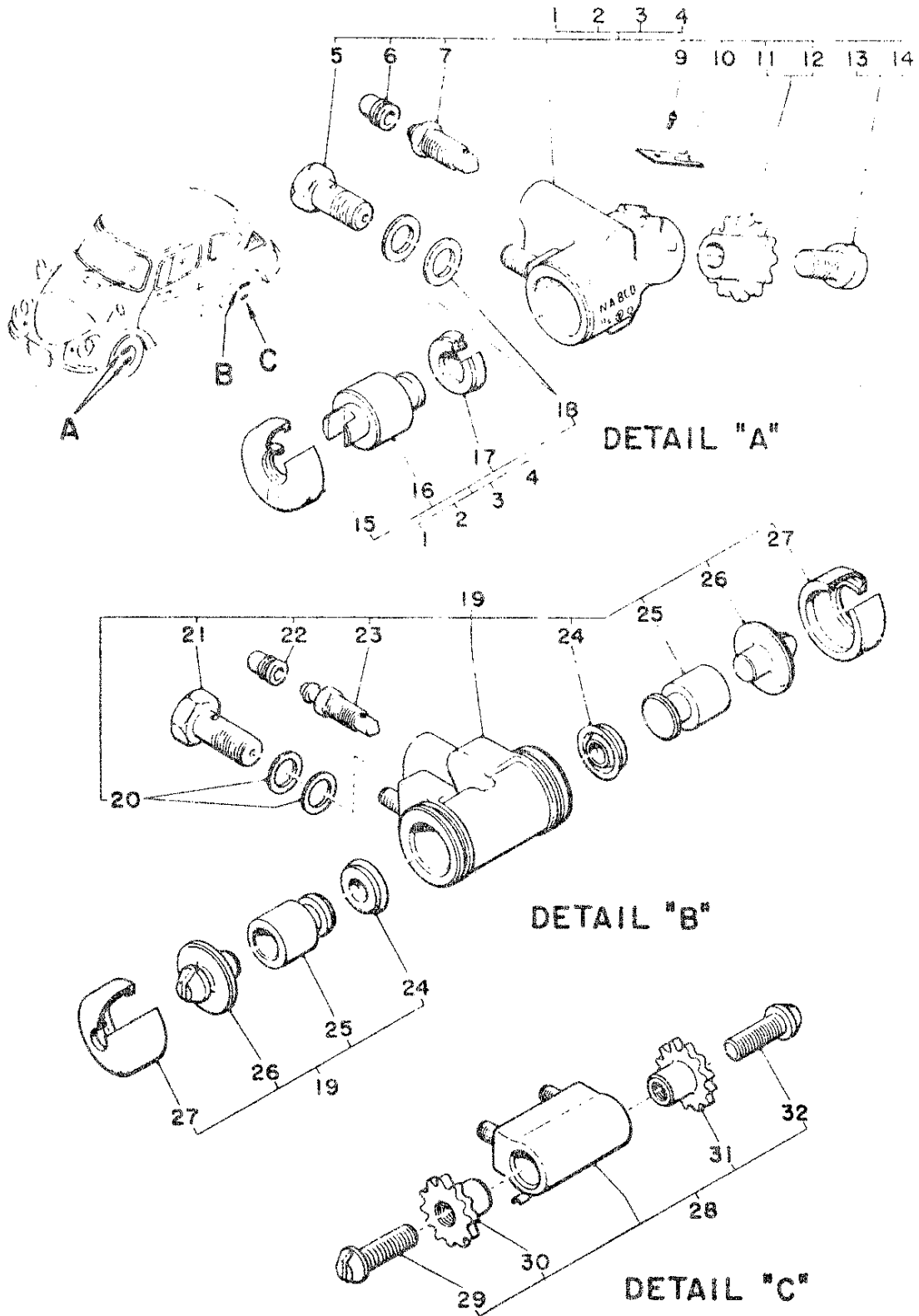
REAR SUSPENSION



REAR SUSPENSION

Item	Part Number	Nomenclature	Q'ty Req	Remarks
1	112 426 002	Oil Damper (Rear)	2	Consists of 2 - 9, 11
2	022 810 000	Nut (10)	2	
3	021 810 000	Nut (10)	2	
4	621 006 080	Washer A (Oil Damper)	2	
5	621 011 020	Rubber Bushing (Oil Damper)	2	
7	621 006 120	Washer C (Oil Damper)	2	
8	112 416 020	Rubber Bushing (Oil Damper)	2	
9	112 416 050	Washer (Oil Damper)	2	
10	112 620 270	Pin (Oil Damper - Rear)	2	
11	122 410 030	Cushion Rubber (Oil Damper)	4	
12	112 620 035	Center Arm (Rear)	1	
13	022 716 000	Nut	1	
14	142 500 012	Bolt (Center Arm - Rear)	1	
15	112 621 011	Torsion Bar (Rear Right)	1	
16	112 500 170	Rubber Boot (Center Arm)	1	
17	112 621 021	Torsion Bar (Rear Left)	1	
18	112 500 060	Rubber Bushing (Radius Arm)	4	
19	112 603 000	Radius Arm (Rear Right)	1	
	112 604 000	Radius Arm (Rear Left)	1	
20	112 620 301	Cover (Radius Arm)	2	
21	032 010 000	Spring Washer	8	
22	112 620 040	Bolt (Radius Arm Cover)	4	
23	021 710 000	Nut	4	
24	031 010 000	Washer	2	

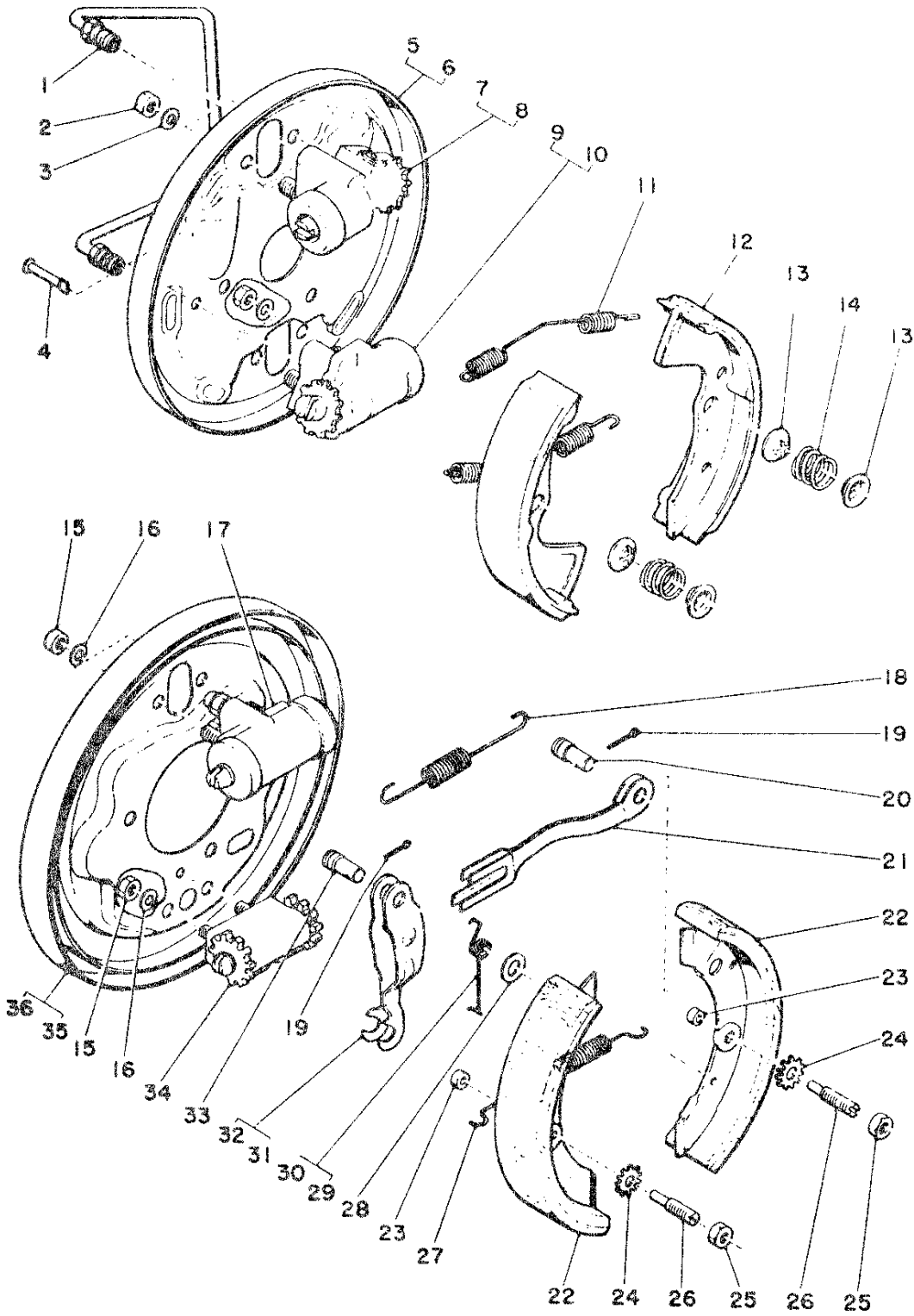
WHEEL CYLINDER & ANCHOR BLOCK



WHEEL CYLINDER & ANCHOR BLOCK

Item	Part Number	Nomenclature	Q'ty Req	Remarks	
1	112 925 001	Wheel Cylinder (Front Upper Right)	1	Includes 5, 9 - 18	112 925 000
2	112 926 001	Wheel Cylinder (Front Upper Left)	1		112 926 000
3	112 928 001	Wheel Cylinder (Front Lower Right)	1	Includes 6 - 17	112 928 000
4	112 929 001	Wheel Cylinder (Front Lower Left)	1		112 929 000
5	112 925 161	Union Bolt (Wheel Cylinder - Front)	2		112 925 160
6	112 915 041	Cap (Wheel Cylinder)	2		
7	112 925 141	Air Bleeder (Wheel Cylinder - Front)	2		112 925 140
9	625 213 000	Screw (Wheel Cylinder - Front)	4		032 030 000
10	112 925 121	Lock Spring (Wheel Cylinder - Front)	4		
11	625 500 040	Adjuster Wheel (Wheel Cylinder - Front)	2	Right-Handed Screw	512 982 030
12	625 500 050	Adjuster Wheel (Wheel Cylinder - Front)	2	Left-Handed Screw	512 981 050
13	112 925 101	Supporter (Wheel Cylinder - Front)	2	Left-Handed Screw	112 925 100
14	112 925 111	Supporter (Wheel Cylinder - Front)	2	Right-Handed Screw	112 925 110
15	112 925 070	Boot (Wheel Cylinder - Front)	4		
16	112 925 050	Piston (Wheel Cylinder - Front)	4		
17	112 925 060	Cup (Wheel Cylinder - Front)	4		
18	114 130 151	Gasket (Wheel Cylinder)	4		
19	112 920 001	Wheel Cylinder (Rear)	2	Includes 20 - 27	112 920 000
20	114 130 151	Gasket (Wheel Cylinder)	4		
21	112 925 161	Union Bolt (Wheel Cylinder)	2		
22	112 915 041	Cap (Wheel Cylinder)	2		
23	112 915 031	Air Bleeder (Wheel Cylinder - Rear)	2		112 915 030
24	112 920 030	Cup (Wheel Cylinder - Rear)	4		
25	112 920 020	Piston (Wheel Cylinder - Rear)	4		
26	112 918 020	Supporter (Wheel Cylinder - Rear)	4		
27	112 918 051	Boot (Wheel Cylinder - Rear)	4		
28	112 914 002	Anchor Block	2	Includes 29 - 32	
29	112 914 051	Supporter (Anchor Block - Left)	2		
30	112 914 033	Adjuster (Anchor Block - Left)	2		
31	112 914 043	Adjuster (Anchor Block - Right)	2		
32	112 914 061	Supporter (Anchor Block - Right)	2		

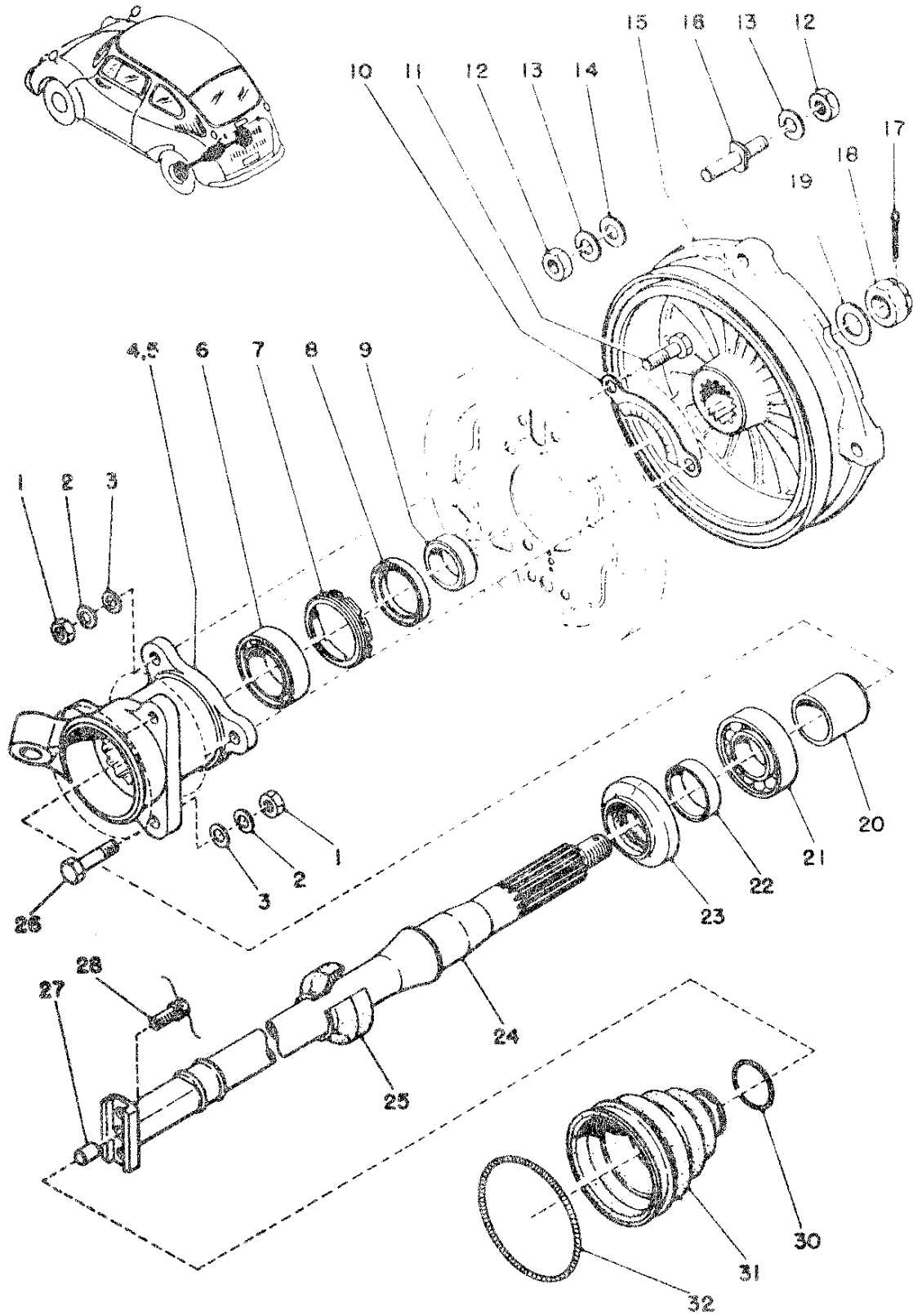
FRONT BRAKE & REAR BRAKE



FRONT BRAKE & REAR BRAKE

Item	Part Number	Nomenclature	Q'ty Req	Remarks
1	112 921 061	Pipe (Brake . Front)	2	112 921 060
2	021 808 000	Nut	8	
3	032 008 000	Spring Washer	8	
4	112 921 040	Set Pin (Brake Shoe . Front)	4	
5	112 921 010	Back Plate (Front Right)	1	
6	112 921 020	Back Plate (Front Left)	1	
7	112 925 001	Wheel Cylinder (Front Upper Right)	1	112 925 000
8	112 926 001	Wheel Cylinder (Front Upper Left)	1	112 926 000
9	112 928 001	Wheel Cylinder (Front Lower Right)	1	112 928 000
10	112 929 001	Wheel Cylinder (Front Lower Left)	1	112 929 000
11	112 921 070	Spring (Brake Shoe . Front)	4	
12	112 906 000	Brake Shoe (Front)	4	
13	112 921 030	Seat (Brake Shoe . Front)	8	
14	112 921 050	Set Spring (Brake Shoe . Front)	4	
15	021 806 000	Nut	8	
16	032 006 000	Spring Washer	8	
17	112 920 001	Wheel Cylinder (Rear)	2	112 920 000
18	112 960 060	Spring (Brake Shoe . Rear Upper)	2	
19	051 020 150	Cotter Pin	4	
20	112 960 071	Pin (Lever A)	2	
21	112 960 101	Lever A (Brake Shoe . Rear Upper)	2	
22	112 938 100	Brake Shoe (Rear)	4	
23	112 910 060	Shoe (Supporter)	4	
24	112 910 070	Lock Washer (Supporter)	4	
25	021 706 000	Nut	4	
26	112 910 032	Supporter (Brake Shoe)	4	
27	112 960 080	Spring (Brake Shoe . Rear Lower)	2	
28	031 008 000	Washer	2	
29	112 960 140	Spring (Lever B . Right)	1	
30	112 960 150	Spring (Lever B . Left)	1	
31	112 960 111	Lever B (Brake . Rear Lower Right)	1	
32	112 960 121	Lever B (Brake . Rear Lower Left)	1	
33	112 960 130	Pin (Lever B)	2	
34	112 914 002	Anchor Block	2	
35	112 800 133	Back Plate (Rear Right)	1	
36	112 800 143	Back Plate (Rear Left)	1	

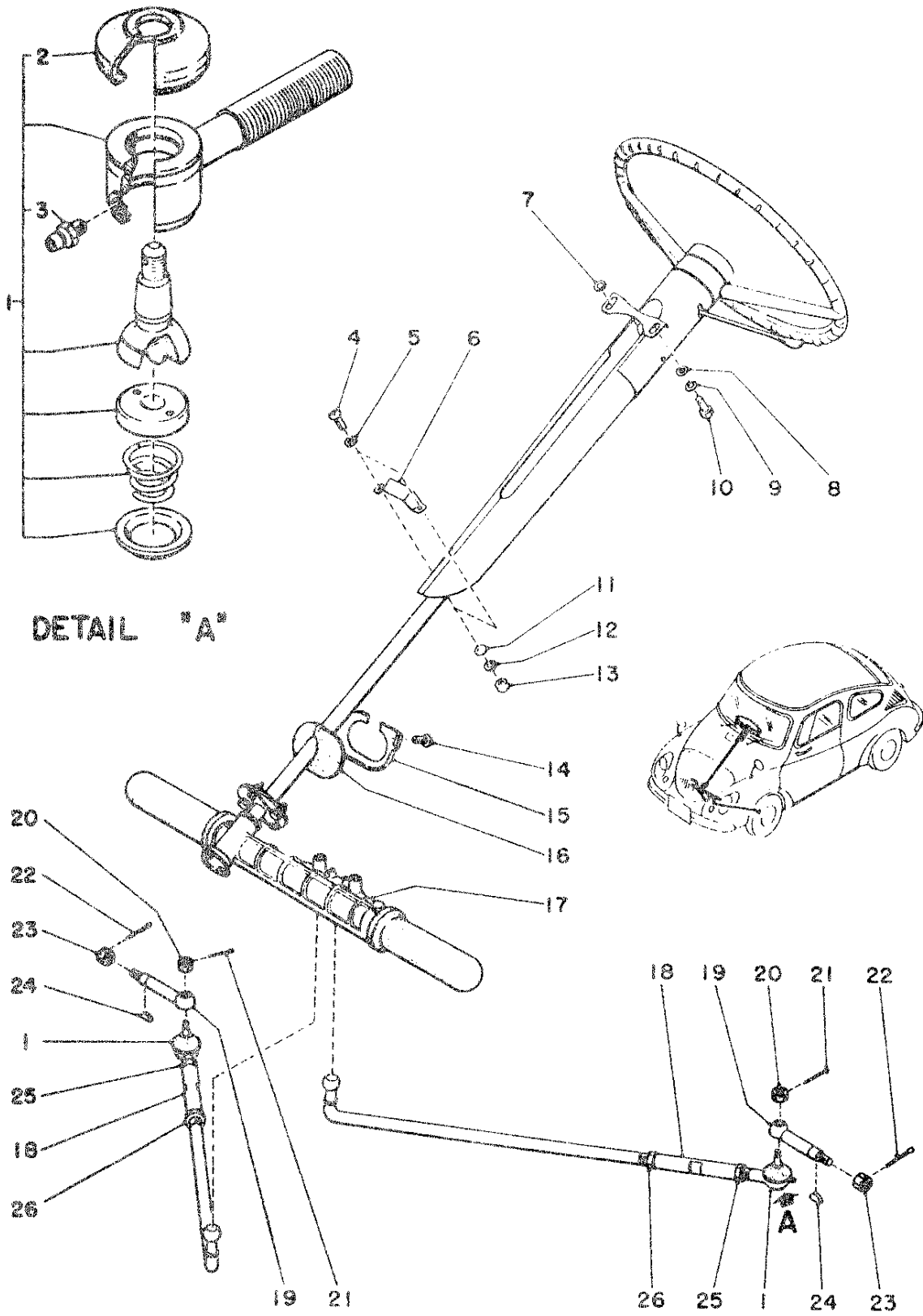
REAR AXLE



REAR AXLE

Item	Part Number	Nomenclature	Q'ty Req	Remarks
1	021 708 000	Nut	12	
2	032 008 000	Spring Washer	12	
3	031 008 000	Washer	12	
4	112 810 042	Hub (Rear Right)	1	
5	112 810 052	Hub (Rear Left)	1	
6	060 162 050	Ball Bearing	2	
7	112 700 070	Nut (Bearing . Rear)	2	
8	062 132 449	Oil Seal	2	
9	112 700 060	Spacer C (Bearing . Rear)	2	
10	112 700 090	Plate (Locking)	2	
11	901 500 005	Bolt (8 x 25)	6	
12	021 810 000	Nut (10)	16	
13	032 010 000	Spring Washer	16	
14	031 010 000	Washer	8	
15	623 801 021	Brake Drum (Rear)	2	
16	623 805 001	Bolt (Brake Drum)	8	
17	051 040 300	Cotter Pin	2	
18	902 300 005	Castle Nut (16)	2	
19	112 810 080	Washer	2	
20	112 800 050	Spacer B (Bearing . Rear)	2	
21	060 162 060	Ball Bearing	2	
22	112 810 030	Spacer A (Bearing . Rear)	2	
23	906 390 004	Oil Seal	2	
24	112 811 000	Rear Axle	2	Includes 27
25	112 810 060	Protector (Oil Seal)	2	
26	016 608 282	Bolt	6	
27	112 700 190	Knock Pin (Rear Axle)	2	
28	112 810 070	Bolt (Rear Axle)	4	
30	909 180 001	Clip	2	
31	112 700 201	Boot (Rear Axle)	2	
32	909 180 002	Clip	2	

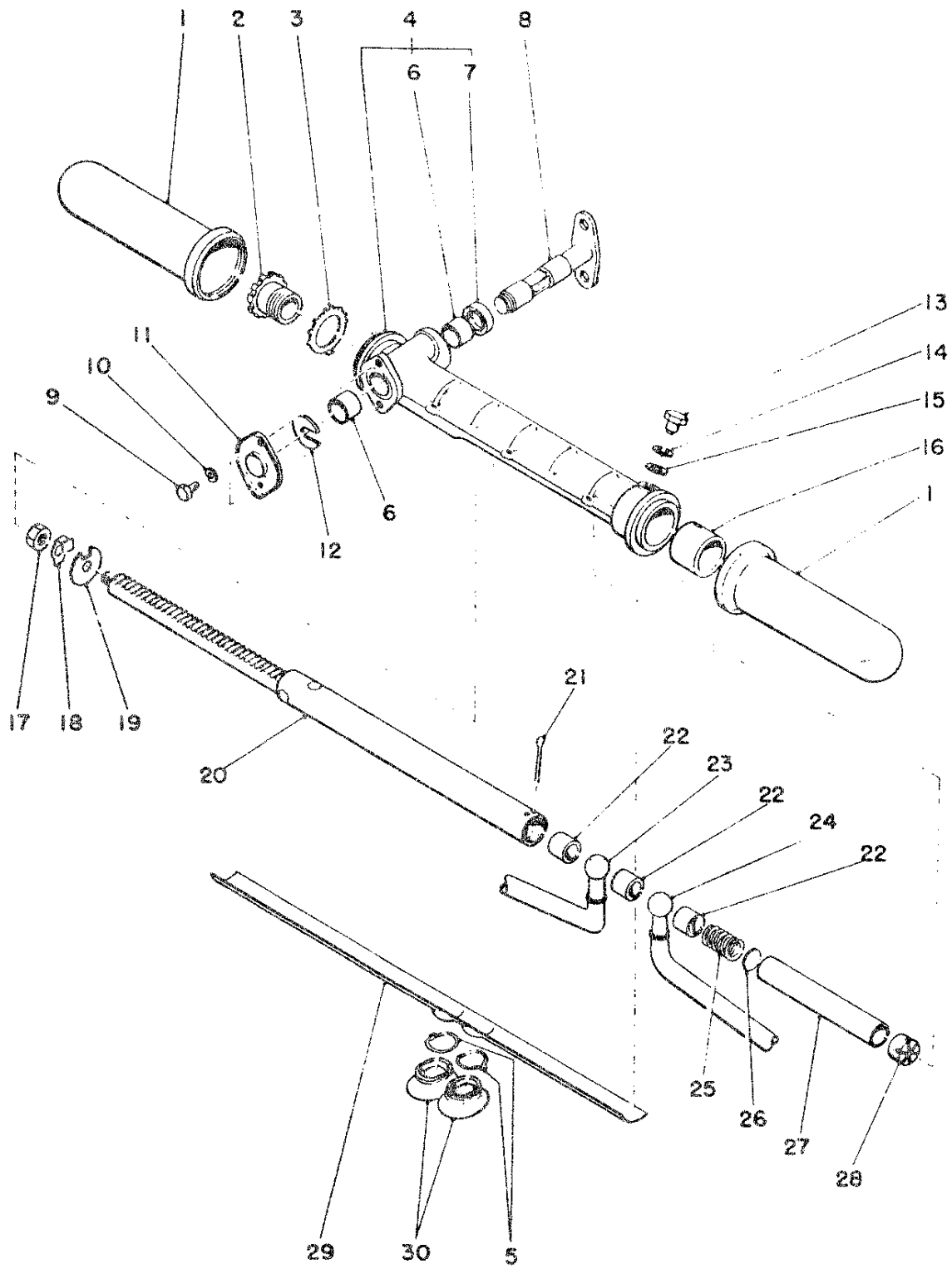
STEERING SYSTEM



STEERING SYSTEM

Item	Part Number	Nomenclature	Q'ty Req	Remarks
1	143 560 100	Tie Rod End	2	Includes 2, 3
2	143 532 070	Dust Seal (Tie Rod End)	2	
3	909 000 001	Grease Nipple	2	
4	043 105 140	Screw	2	
5	031 005 000	Washer	2	
6	113 505 120	Clamp (Steering Shaft Cover)	1	
7	903 100 006	Washer (8.5)	2	
8	031 008 000	Washer	2	
9	032 008 000	Spring Washer	2	
10	019 108 200	Bolt (8 x 16)	2	
11	903 100 005	Washer (5.3)	2	
12	032 005 000	Spring Washer	2	
13	021 705 000	Nut	2	
14	045 004 120	Tapping Screw	2	
15	123 506 010	Plate (Dust Cover Seal)	1	
16	113 505 072	Dust Seal (Steering Shaft)	1	
17	123 555 005	Steering Gear Box Assy	1	
18	143 560 090	Turnbuckle	2	
19	143 430 012	Knuckle Arm	2	
20	902 300 007	Castle Nut (10)	2	
21	051 020 200	Cotter Pin	2	
22	051 020 180	Cotter Pin	2	
23	112 100 091	Castle Nut	2	
24	114 110 070	Key	2	
25	902 100 008	Nut (16)	2	
26	902 100 009	Nut (16)	2	

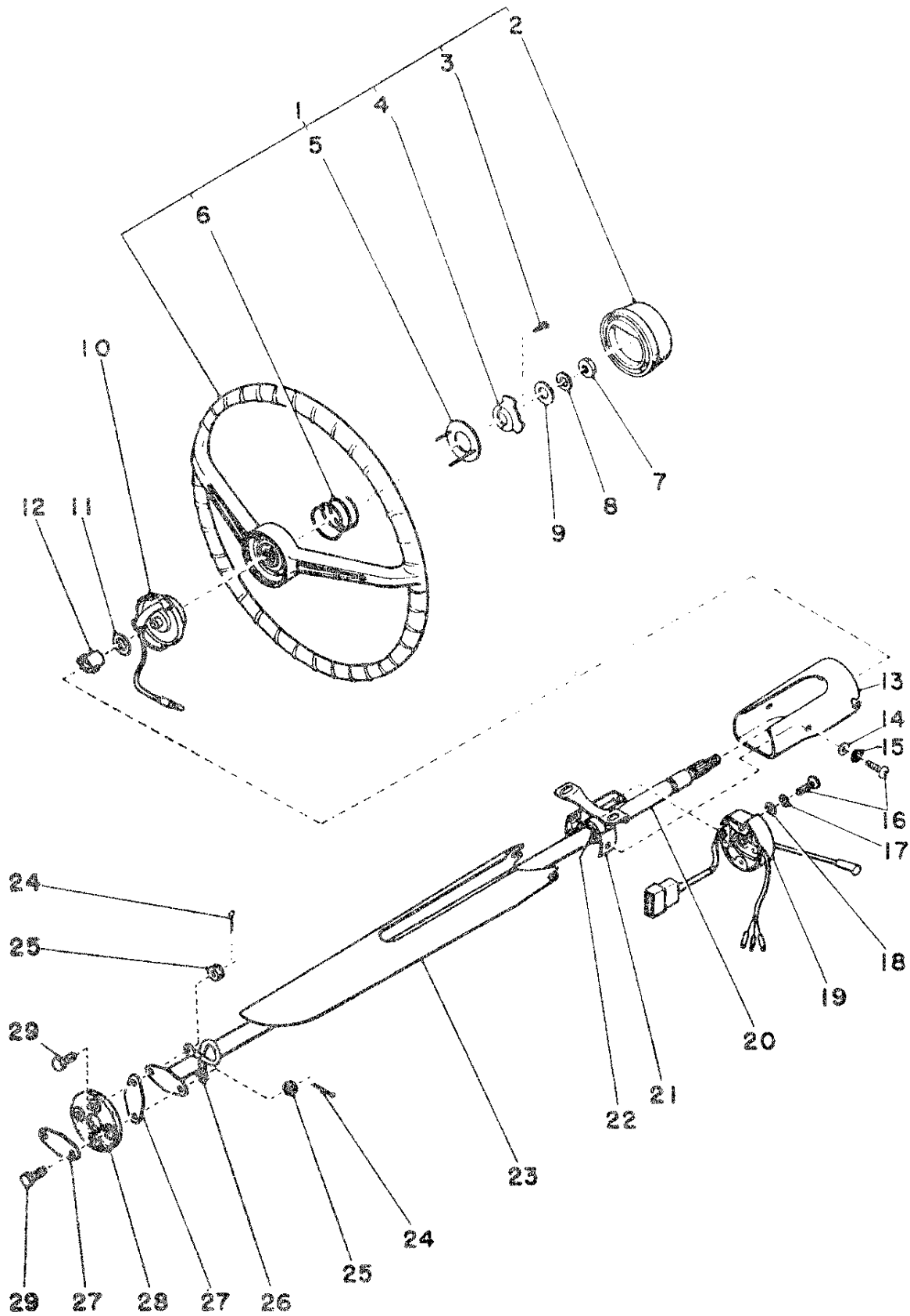
STEERING GEAR BOX



STEERING GEAR BOX

Item	Part Number	Nomenclature	Q'ty Req	Remarks
	123 555 005	Steering Gear Box Assy	1	Consist of 1 - 30
1	113 560 120	Cover (Rack)	2	
2	113 560 130	Bushing (Rack Eccentric)	1	
3	113 560 031	Lock Washer (Eccentric Bushing)	1	
4	123 556 003	Steering Gear Box	1	
5	113 510 130	Snap Ring (Rubber Boot)	2	
6	113 551 020	Bushing (Steering Gear Box)	2	
7	906 250 001	Oil Seal	1	
8	123 557 001	Pinion (Steering Gear Box)	1	
9	016 506 120	Bolt	2	
10	032 006 000	Spring Washer	2	
11	113 560 151	Cap (Pinion)	1	
12	113 560 100	Thrust Washer (Pinion)	1	
13	113 560 060	Bolt	1	
14	032 008 000	Spring Washer	1	
15	031 008 000	Washer	1	
16	123 555 030	Bushing (Rack)	1	
17	902 100 021	Nut	1	
18	113 560 080	Lock Washer (Rack)	1	
19	113 560 020	Stopper (Rack)	1	
20	123 558 000	Rack (Steering Gear Box)	1	
21	051 025 300	Cotter Pin	1	
22	113 510 071	Ball Seat	3	
23	143 560 061	Tie Rod	1	
24	123 501 013	Tie Rod (Left)	1	
25	113 560 090	Spring (Ball Seat)	1	
26	113 560 040	Spring Seat	1	
27	113 560 050	Spacer	1	
28	113 560 070	Cap (Rack)	1	
29	113 560 140	Cover (Rack)	1	
30	113 410 190	Rubber Boot (Ball Stud)	2	

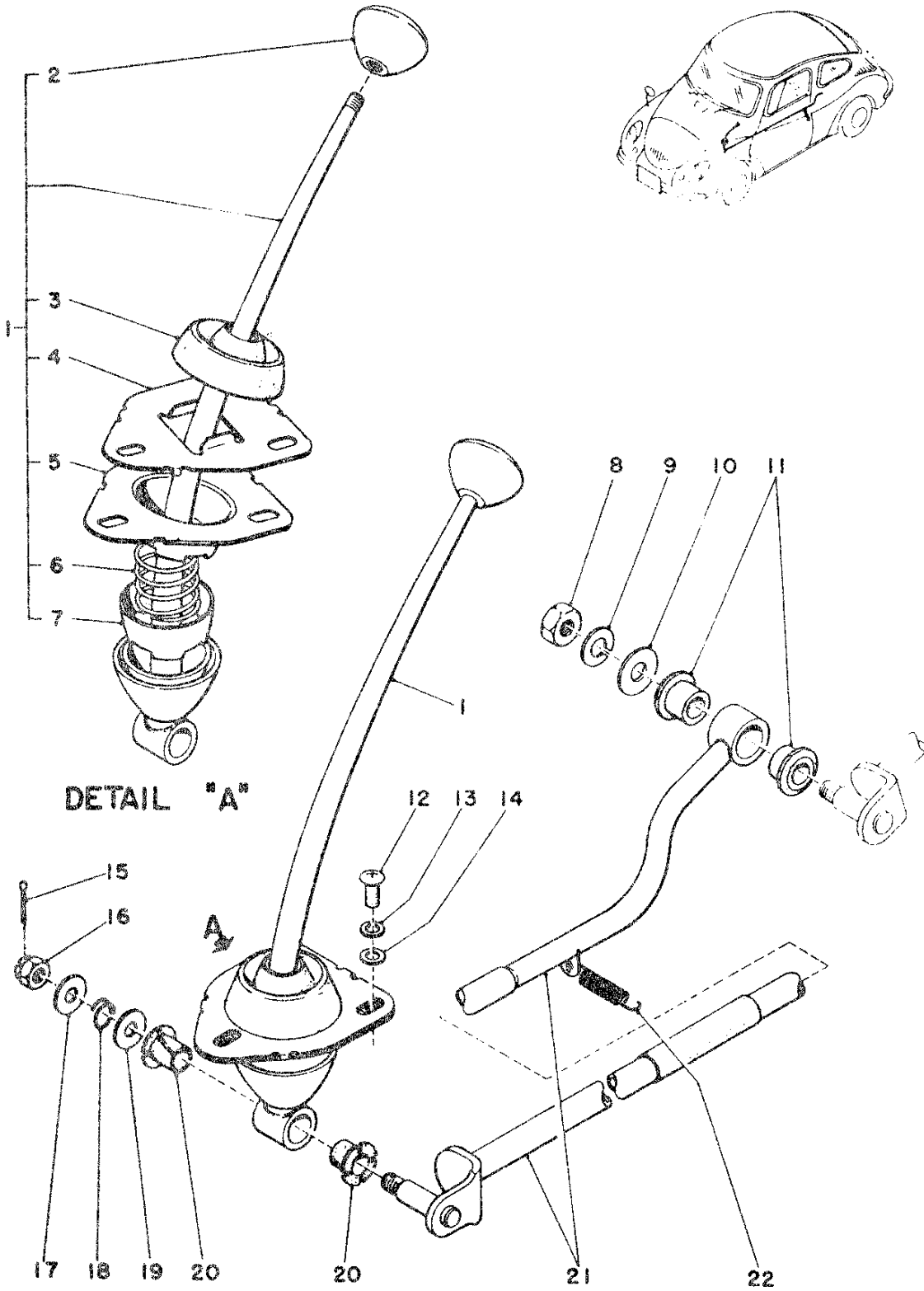
STEERING SHAFT



STEERING SHAFT

Item	Part Number	Nomenclature	Q'ty Req	Remarks
1	123 561 000	Steering Wheel	1	Includes 2 - 6
2	123 561 020	Horn Button	1	
3	041 103 060	Screw	2	
4	143 521 090	Stop Plate (Steering Wheel)	1	
5	631 116 010	Contact (Steering Wheel)	1	
6	113 527 070	Spring (Steering Wheel)	1	
7	902 170 002	Nut (12)	1	
8	032 012 000	Spring Washer	1	
9	903 100 013	Washer (12.5)	1	
10	118 455 000	Contact Plate (Horn Button)	1	
11	116 982 030	Washer (Cancel Cam)	1	
12	116 982 040	Cancel Cam	1	
13	123 529 085	Upper Cover (Steering Shaft)	1	
14	031 104 000	Washer	2	
15	033 004 000	Lock Washer	2	
16	043 104 120	Screw	5	
17	032 004 000	Spring Washer	3	
18	031 004 000	Washer	3	
19	118 464 101	Turn Signal & Dimmer Switch	1	
20	143 529 016	Steering Shaft	1	
21	123 529 034	Bracket	1	
22	143 529 073	Rubber Bearing (Steering Shaft)	1	
23	143 529 162	Lower Cover (Steering Shaft)	1	
24	051 020 120	Cotter Pin	4	
25	023 108 000	Castle Nut (8)	4	
26	113 420 070	Earth Coard (Horn)	1	
27	143 520 022	Plate (Steering Shaft)	2	
28	113 427 000	Rubber Coupling (Steering Shaft)	1	
29	901 800 002	Bolt (8 x 20)	4	

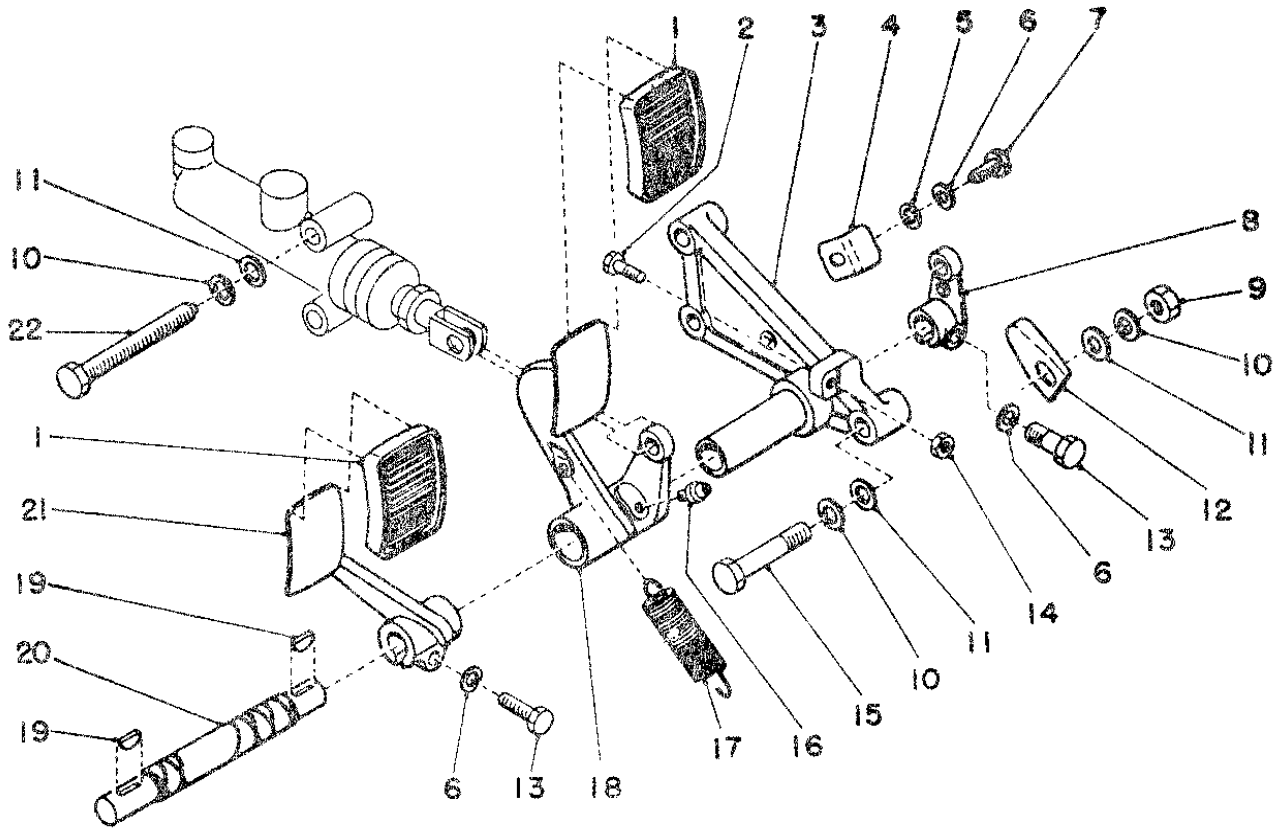
GEAR CHANGE EQUIPMENT



GEAR CHANGE EQUIPMENT

Item	Part Number	Nomenclature	Q'ty Req	Remarks
1	113 783 000	Gear Change Lever	1	Includes 2 - 7
2	113 783 010	Knob (Gear Change Lever)	1	
3	113 810 030	Boot (Gear Change Lever)	1	
4	113 783 020	Stopper (Gear Change Lever)	1	
5	113 810 020	Holder (Gear Change Lever)	1	
6	633 115 000	Spring (Gear Change Lever)	1	
7	513 730 060	Bushing B (Gear Change Lever)	1	
8	021 708 000	Nut	1	
9	032 008 000	Spring Washer	1	
10	031 208 001	Washer	1	
11	113 800 020	Rubber Bushing (Gear Change Rod)	2	
12	043 106 160	Screw	3	
13	032 006 000	Spring Washer	3	
14	031 206 000	Washer	3	
15	051 020 180	Cotter Pin	1	
16	023 108 000	Castle Nut	1	
17	031 108 000	Washer	1	
18	513 700 110	Spring A (Gear Change)	1	
19	031 110 000	Washer	1	
20	513 700 090	Bushing A (Gear Change Rod)	2	
21	113 782 000	Gear Change Rod	1	
22	113 781 010	Set Spring	1	

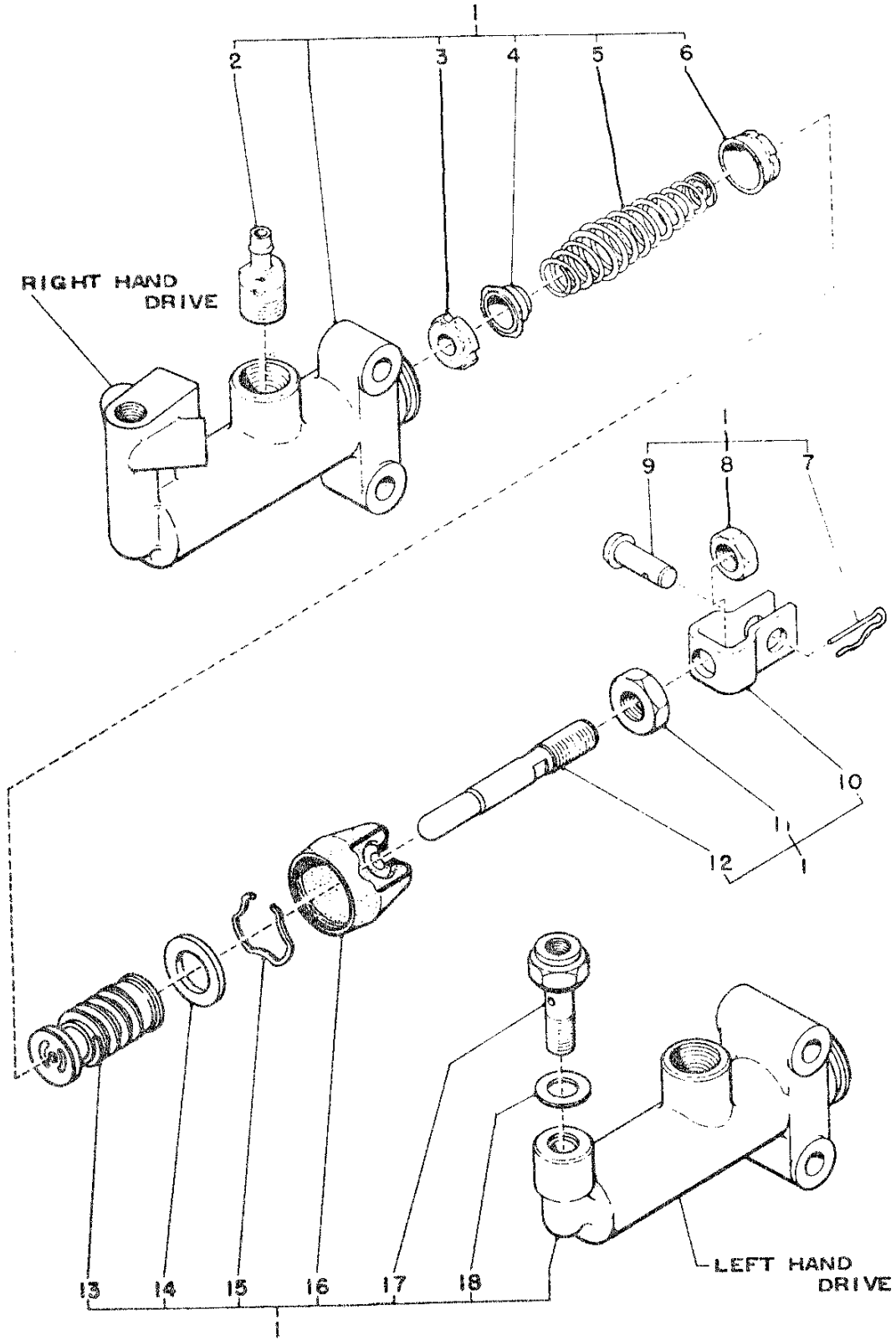
BRAKE & CLUTCH PEDAL (LEFT HAND DRIVE)



BRAKE & CLUTCH PEDAL (LEFT HAND DRIVE)

Item	Part Number	Nomenclature	Q'ty Req	Remarks
1	124 120 060	Pedal Cover	2	
2	016 505 160	Bolt	1	
3	124 123 001	Bracket (Brake Pedal)	1	
4	124 120 040	Stopper (Clutch Pedal)	1	
5	031 006 000	Washer	1	
6	032 006 000	Spring Washer	3	
7	019 006 120	Bolt	1	
8	124 120 020	Lever (Clutch Pedal Shaft)	1	
9	021 708 000	Nut	1	
10	032 008 000	Spring Washer	4	
11	031 008 000	Washer	4	
12	124 120 050	Stopper (Clutch Pedal)	1	
13	016 506 250	Bolt	2	
14	021 705 000	Lock Nut	1	
15	016 508 505	Bolt	1	
16	909 000 001	Grease Nipple	1	
17	114 110 040	Return Spring (Pedal)	1	
18	124 122 000	Brake Pedal	1	Includes 16
19	114 110 070	Key (Clutch Pedal Shaft)	2	
20	124 120 030	Clutch Pedal Shaft	1	
21	124 121 000	Clutch Pedal	1	
22	019 008 750	Bolt	2	

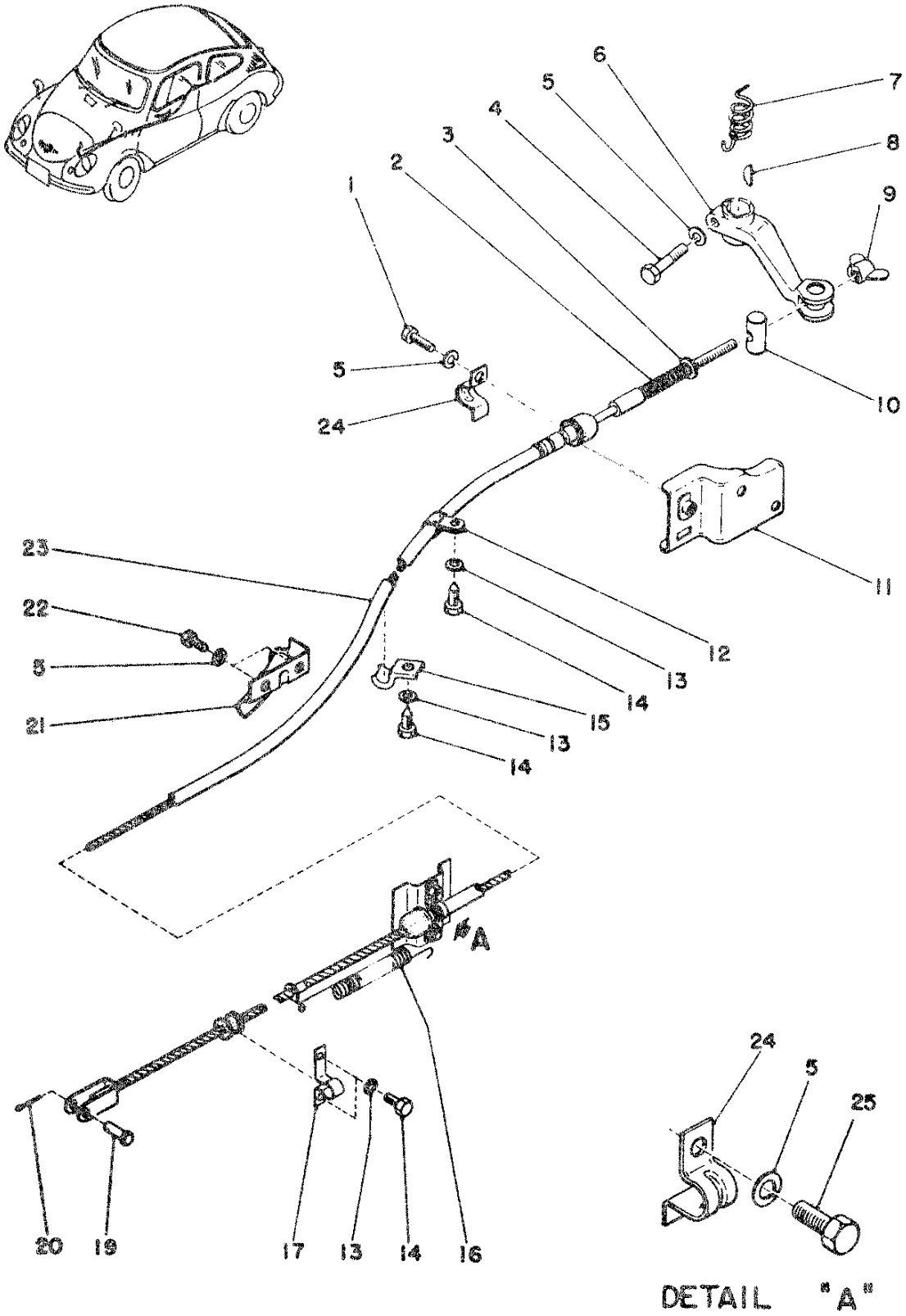
MASTER CYLINDER



MASTER CYLINDER

Item	Part Number	Nomenclature	Q'ty Req	Remarks
1	124 133 001	Master Cylinder	1	Includes 2 - 18
2	114 170 021	Nipple (Master Cylinder)	1	
3	114 130 130	Valve Seat (Master Cylinder)	1	
4	114 130 120	Check Valve (Master Cylinder)	1	
5	114 130 110	Spring (Master Cylinder)	1	
6	114 130 090	Primary Cup (Master Cylinder)	1	
7	051 020 150	Cotter Pin	1	
8	902 200 009	Nut (10)	1	
9	114 130 220	Pin (Master Cylinder)	1	
10	114 110 052	Connector (Piston Rod)	1	
11	022 710 000	Nut	1	
12	114 130 022	Push Rod (Master Cylinder)	1	
13	114 130 190	Piston (Master Cylinder)	1	
14	114 130 050	Stop Washer (Master Cylinder)	1	
15	114 130 040	Stop Ring (Master Cylinder)	1	
16	114 130 031	Boot (Master Cylinder)	1	
17	114 132 021	Union Bolt (Master Cylinder)	1	
18	114 130 151	Gasket (Master Cylinder)	2	
	114 130 900	Master Cylinder Repair Kit (A)	1	Consists of 6, 13 - 15
	114 130 910	Master Cylinder Repair Kit (B)	1	Consists of 3 - 6, 13 - 16

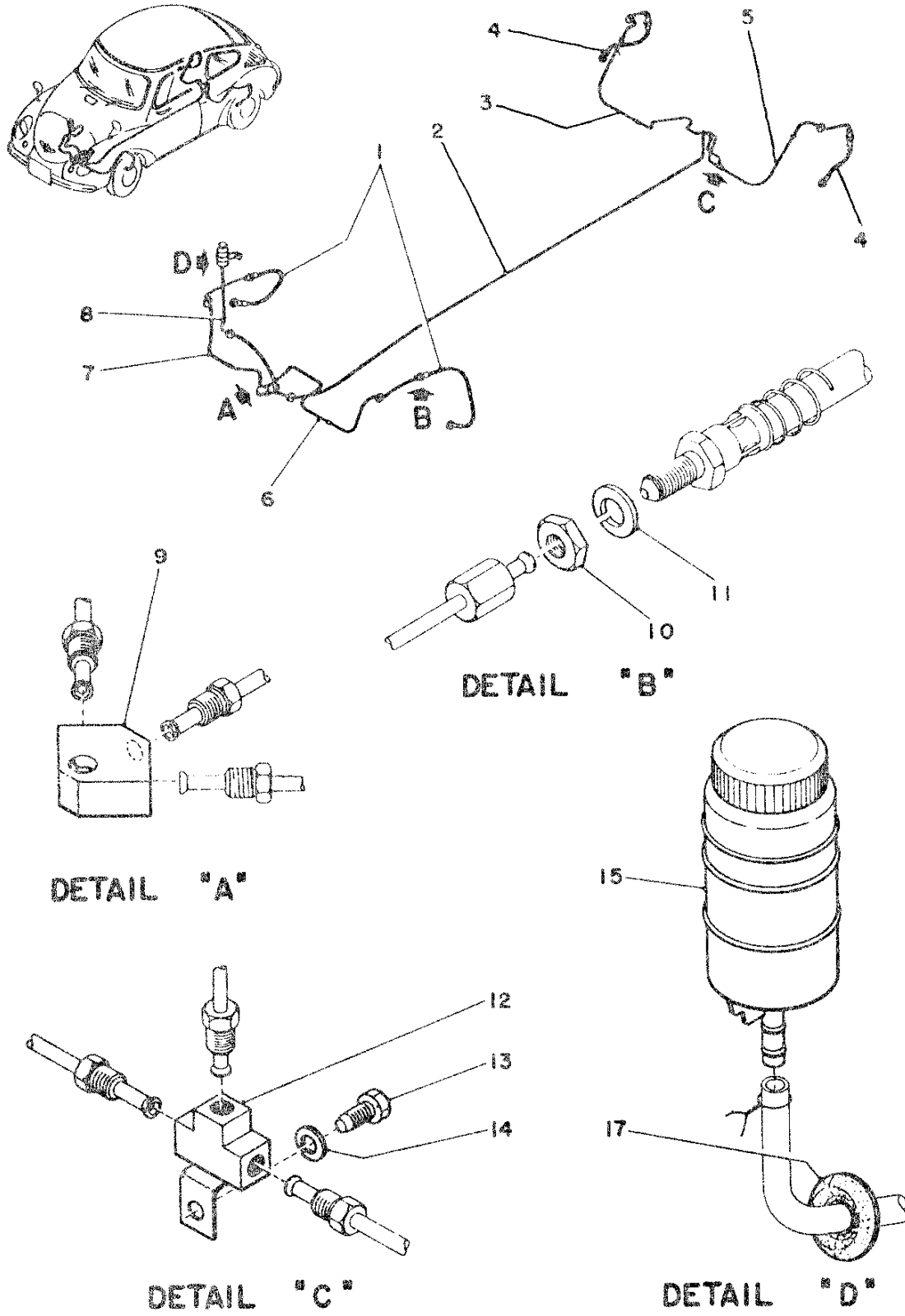
CLUTCH CONTROL SYSTEM



CLUTCH CONTROL SYSTEM

Item	Part Number	Nomenclature	Q'ty Req	Remarks
1	016 506 161	Bolt	1	
2	114 161 031	Spring (Clutch Cable)	1	
3	031 006 000	Washer	1	
4	016 606 280	Bolt	1	
5	032 006 000	Spring Washer	4	
6	124 162 020	Clutch Lever	1	
7	114 150 070	Return Spring (Clutch Lever)	1	
8	114 150 030	Key (Clutch Lever)	1	
9	114 150 020	Wing Nut (Clutch Cable)	1	
10	114 150 040	Pin (Clutch Lever)	1	
11	114 160 101	Bracket (Clutch Cable)	1	
12	114 160 120	Clip	1	
13	032 005 000	Spring Washer	4	
14	901 900 001	Bolt	4	
15	114 160 110	Clamp (Clutch Cable)	1	
16	114 160 030	Return Spring (Clutch Pedal)	1	
17	124 162 040	Holder (Bushing)	1	
19	052 008 180	Pin	1	
20	051 020 150	Cotter Pin	1	
21	124 162 030	Clamp (Clutch Cable)	1	
22	016 506 101	Bolt	2	
23	124 163 002	Clutch Cable	1	Includes 2, 3, 9, 10
24	124 162 053	Clamp (Clutch Cable)	2	
25	016 506 120	Bolt	1	

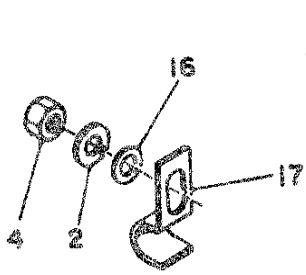
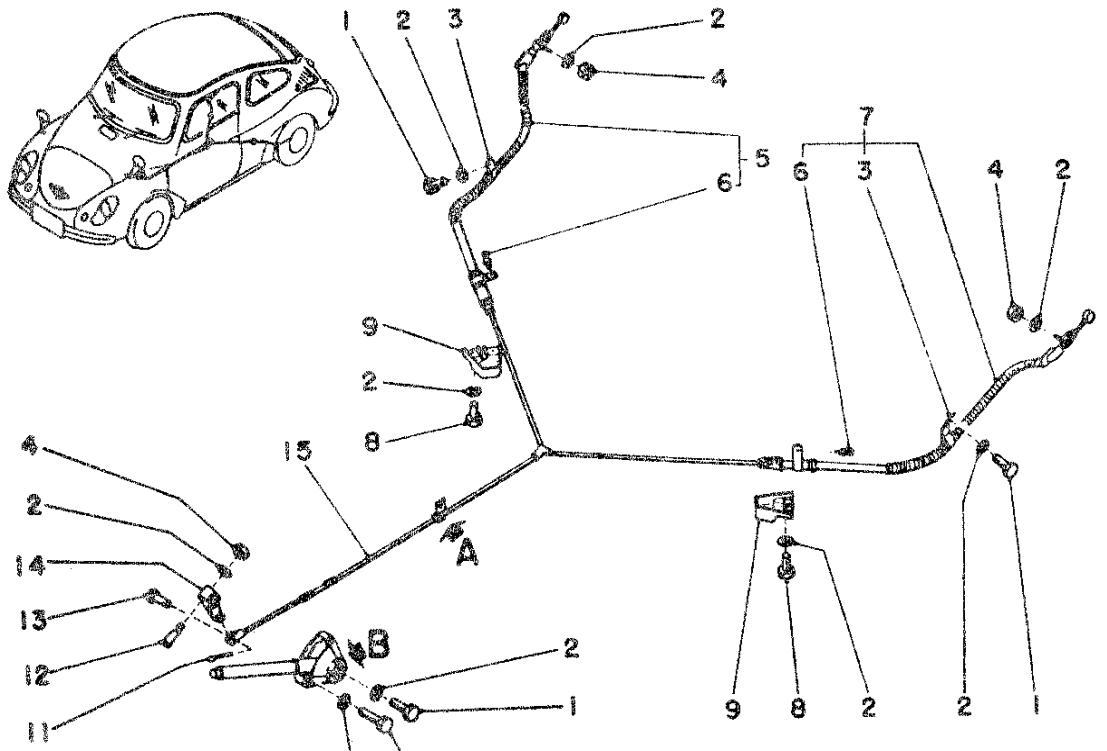
BRAKE PIPING



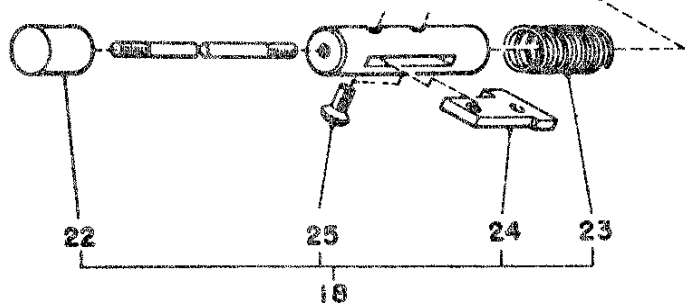
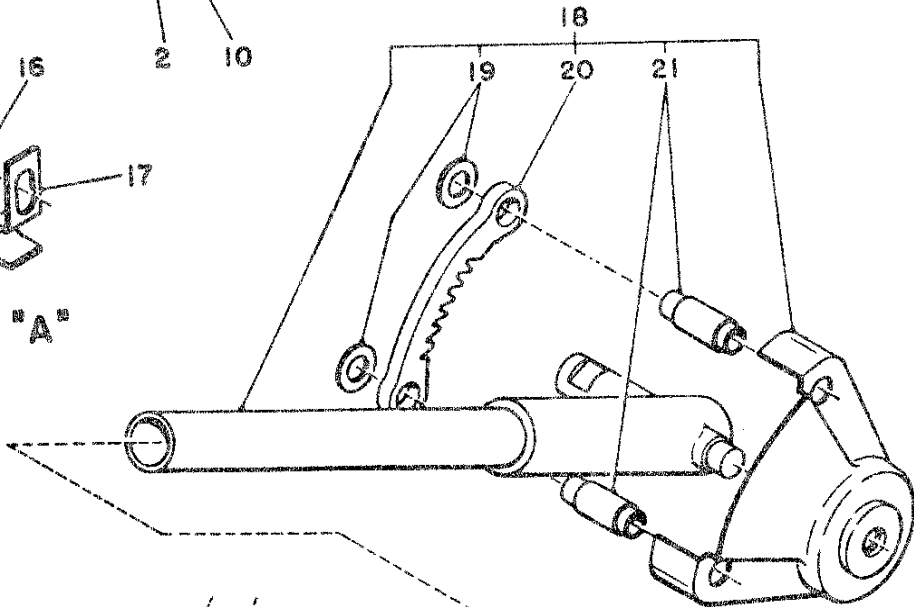
BRAKE PIPING

Item	Part Number	Nomenclature	Q'ty Req	Remarks
1	114 171 001	Brake Hose (Front)	2	
2	124 183 032	Brake Pipe (Front - Rear Connector)	1	
3	114 182 132	Brake Pipe (Rear Right)	1	
4	124 181 021	Brake Hose (Rear)	2	
5	114 182 141	Brake Pipe (Rear Left)	1	
6	124 183 022	Brake Pipe (Front Left)	1	
7	124 183 012	Brake Pipe (Front Right)	1	
8	114 170 050	Tube (Brake Oil Tank)	1	
9	114 182 081	Connector (Brake Pipe - Front)	1	
10	114 170 101	Nut (Brake Hose)	4	
11	032 010 000	Spring Washer	4	
12	114 182 150	Connector (Brake Pipe - Rear)	1	
13	019 006 180	Bolt	1	
14	032 006 000	Spring Washer	1	
15	124 181 011	Brake Oil Tank	1	
17	092 105 000	Grommet	1	

HAND BRAKE SYSTEM



DETAIL "A"

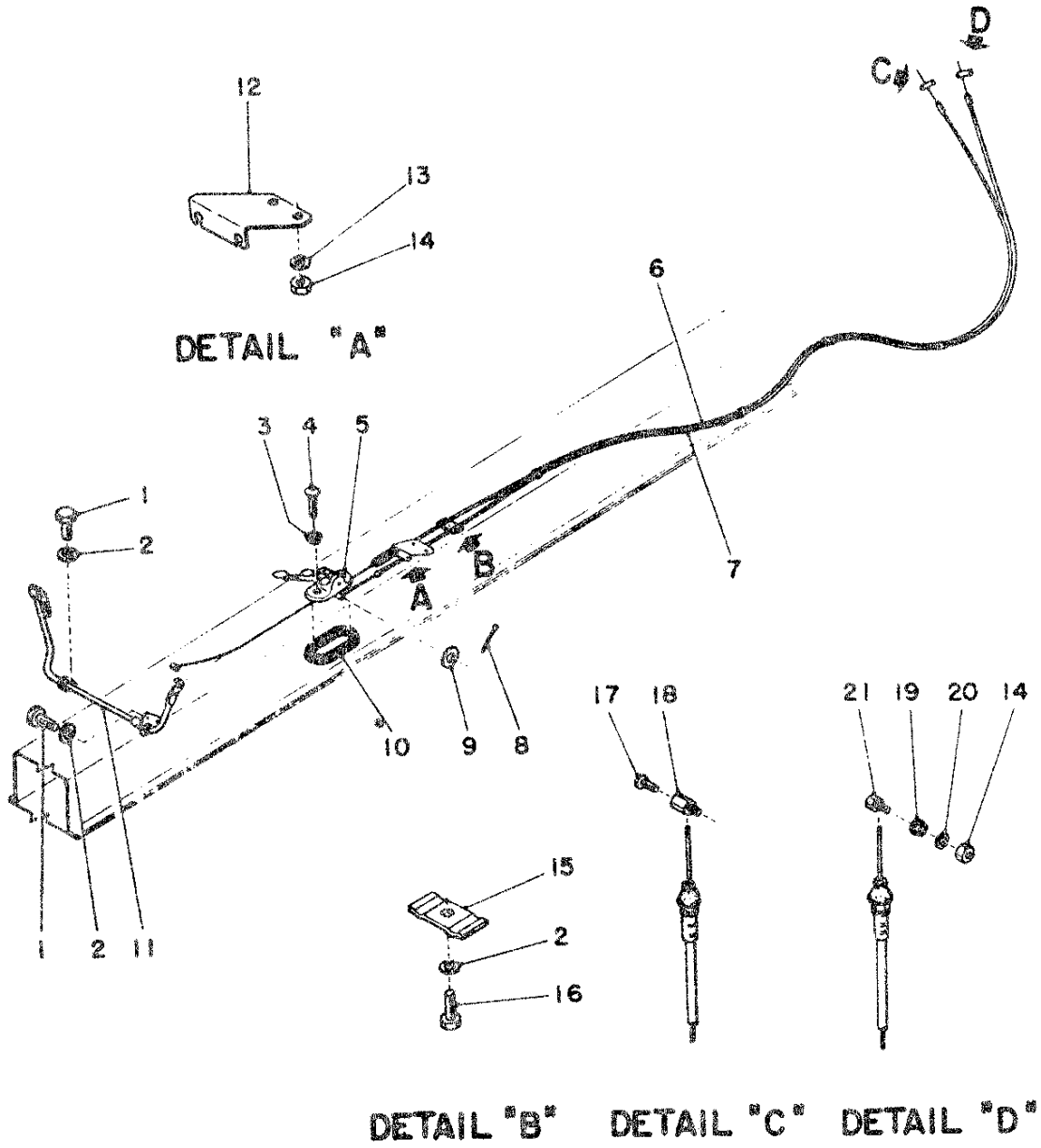
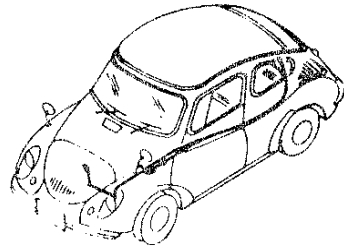


DETAIL "B"

HAND BRAKE SYSTEM

Item	Part Number	Nomenclature	Q'ty Req	Remarks
1	016 506 120	Bolt	3	
2	032 006 000	Spring Washer	13	
3	144 350 041	Clip (Hand Brake Cable)	2	
4	021 706 000	Nut	4	
5	124 363 000	Hand Brake Cable (Right)	1	Includes 6
6	909 000 003	Grease Nipple	2	
7	124 364 000	Hand Brake Cable (Left)	1	Includes 6 & 3
8	019 006 250	Bolt	4	
9	114 350 032	Cover (Cable End)	2	
10	016 506 350	Bolt	2	
11	051 020 150	Cotter Pin	1	
12	114 350 090	Pin (Hand Brake Lever)	1	
13	052 006 160	Pin	1	
14	114 350 080	Arm (Hand Brake Lever)	1	
15	114 356 002	Hand Brake Rod	1	
16	031 006 000	Washer	1	
17	514 300 021	Clamp (Hand Brake Rod)	1	
18	124 362 004	Hand Brake Lever	1	Includes 19 - 25
19	124 362 040	Washer (Hand Brake Lever)	2	
20	124 362 020	Ratchet (Hand Brake Lever)	1	
21	124 362 050	Collar (Hand Brake Lever)	2	
22	114 341 083	Push Button (Hand Brake Lever)	1	
23	114 359 070	Spring (Hook)	1	
24	124 362 011	Hook (Hand Brake Lever)	1	
25	042 104 100	Screw	2	

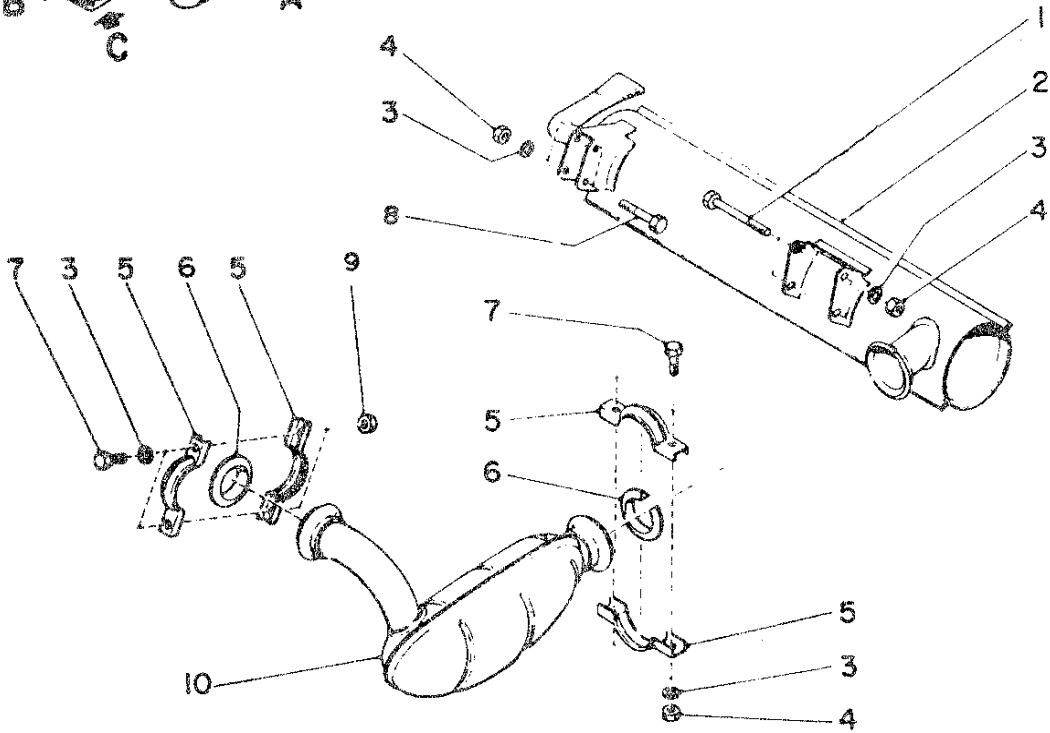
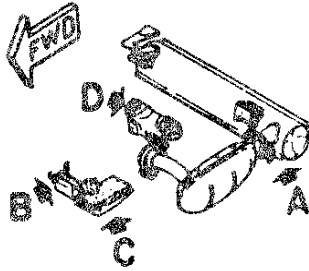
ACCELERATOR · CHOKE & HEATER CONTROL SYSTEM



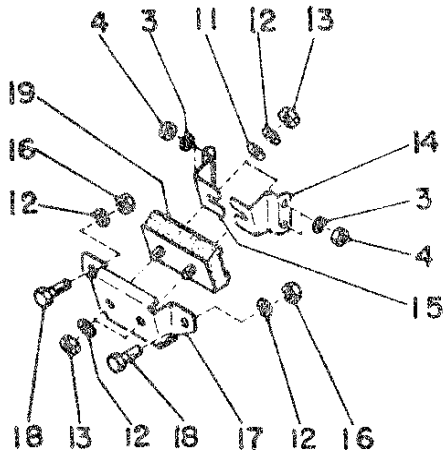
ACCELERATOR, CHOKE & HEATER CONTROL SYSTEM

Item	Part Number	Nomenclature	Q'ty Req	Remarks
1	019 006 160	Bolt (Cone Point)	3	
2	032 006 000	Spring Washer	4	
3	034 004 000	Lock Washer (Counter Sunk Tooth)	2	
4	042 104 120	Screw (Oval Head)	2	
5	144 543 007	Lever Assy (Choke, Heater, Fuel)	1	
6	114 512 003	Accelerator Cable	1	Includes 17
7	114 502 004	Choke Cable	1	
8	051 012 100	Cotter Pin	1	
9	031 004 000	Washer	1	
10	144 343 040	Packing (Lever Cover)	1	
11	124 532 002	Accelerator Pedal	1	
12	114 500 132	Cable Support	1	
13	032 005 000	Spring Washer	2	
14	021 705 000	Nut	3	
15	144 500 010	Bracket	1	
16	016 506 160	Bolt	1	
17	043 104 080	Screw	2	
18	637 103 080	End (Accelerator Cable)	1	
19	114 541 100	Spacer	1	
20	031 005 000	Washer	1	
21	114 541 091	Bolt	1	

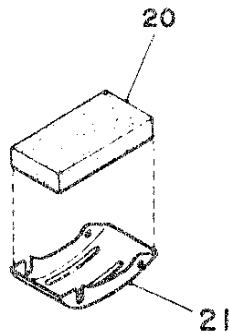
ENGINE MOUNTING



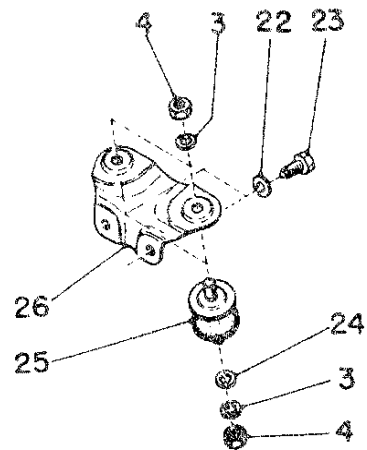
DETAIL "A"



DETAIL "B"



DETAIL "C"

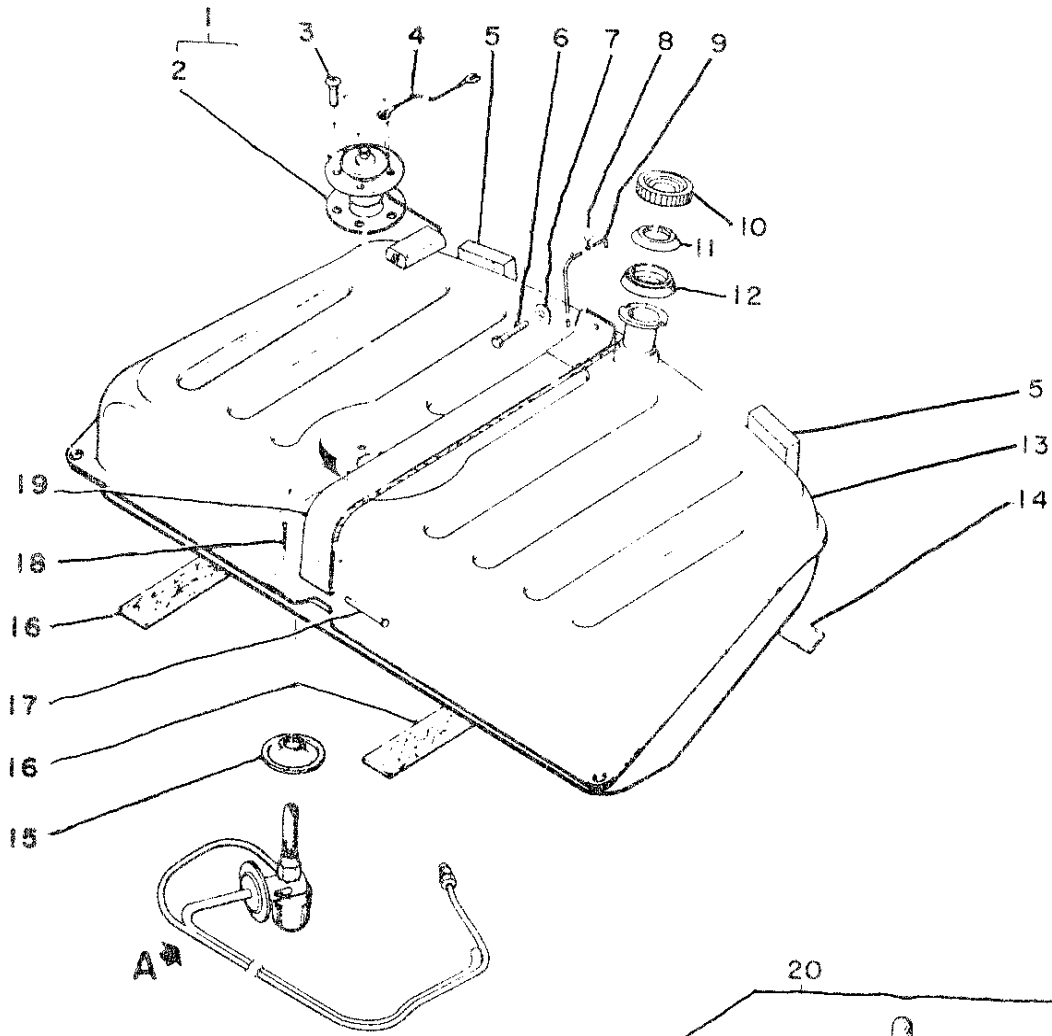


DETAIL "D"

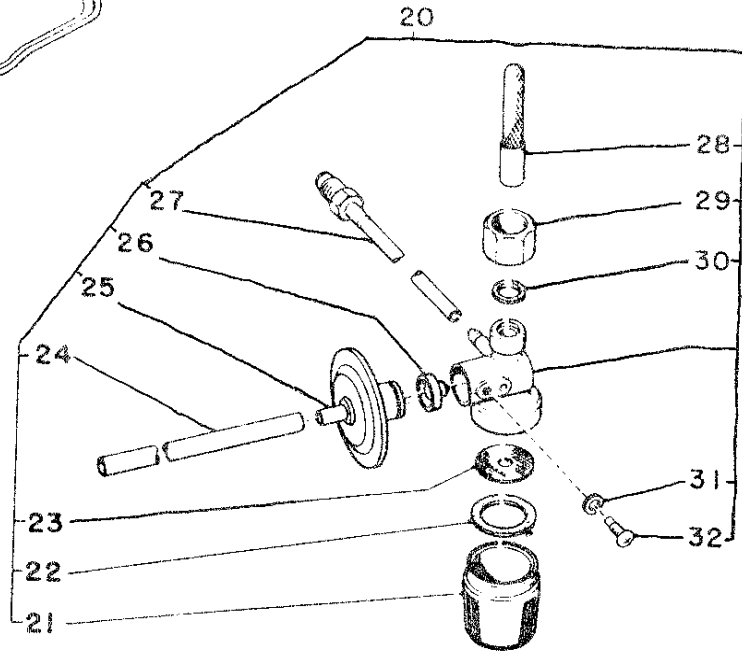
ENGINE MOUNTING

Item	Part Number	Nomenclature	Q'ty Req	Remarks
1	016 508 800	Bolt	2	
2	114 875 005	Muffler	1	
3	032 008 000	Spring Washer	16	
4	021 708 000	Nut	16	
5	114 860 021	Clamp	4	
6	114 860 011	Ring	2	
7	016 608 400	Bolt	4	
8	016 508 500	Bolt	2	
9	021 708 000	Nut	6	
10	114 876 000	Pre-Chamber	1	
11	031 110 000	Washer	2	
12	032 010 000	Spring Washer	6	
13	902 100 004	Nut (10)	4	
14	114 740 081	Bracket (Front Mounting - Left)	1	
15	114 740 071	Bracket (Front Mounting - Right)	1	
16	021 710 000	Nut	2	
17	114 740 061	Bracket (Front Mounting)	1	
18	016 610 200	Bolt	2	
19	114 740 051	Cushion Rubber (Front Mounting)	1	
20	114 710 150	Spacer (Protector)	1	
21	114 710 140	Protector (Differential Case)	1	
22	032 012 000	Spring Washer	2	
23	901 500 100	Bolt	2	
24	031 108 000	Washer	2	
25	514 700 031	Cushion Rubber (Rear Mounting)	2	
26	114 742 010	Bracket (Rear Mounting)	1	

FUEL SYSTEM



A

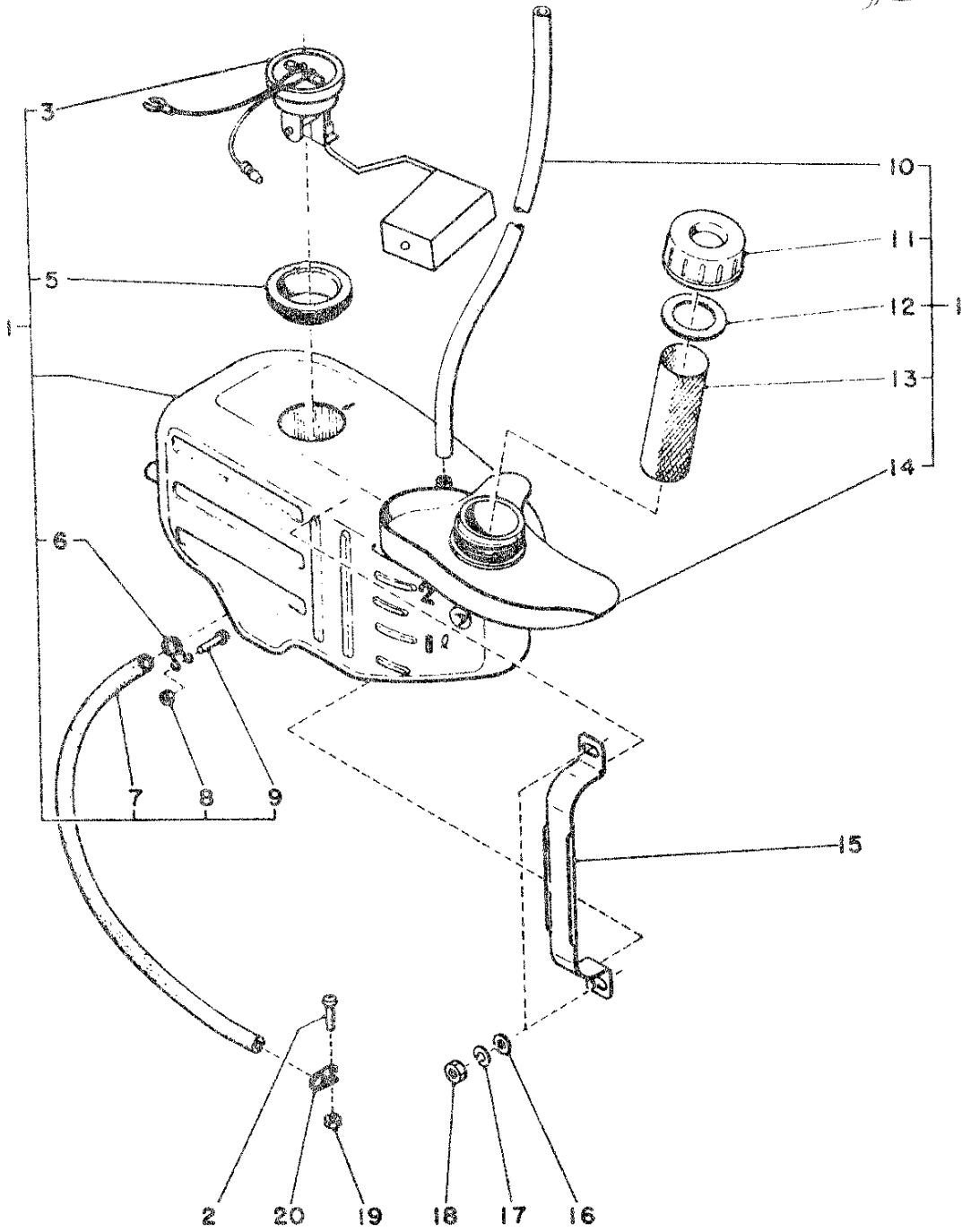
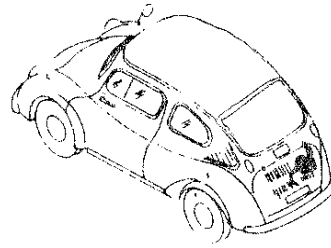


DETAIL "A"

FUEL SYSTEM

Item	Part Number	Nomenclature	Q'ty Req	Remarks
1	118 486 001	Fuel Meter Unit	1	
2	118 486 030	Packing (Fuel Meter Unit)	1	
3	043 105 120	Screw	5	
4	114 785 050	Earth Cord (Fuel Meter Unit)	1	
5	114 785 130	Spacer (Fuel Tank)	2	
6	016 506 500	Bolt	1	
7	114 785 090	Washer (Fuel Tank Band)	1	
8	114 785 140	Pipe (Air Vent)	1	
9	116 360 230	Pipe (Air Vent)	1	
10	642 101 070	Cap (Fuel Tank)	1	
11	642 102 040	Packing (Fuel Cap)	1	
12	114 770 013	Grommet	1	
13	114 765 001	Fuel Tank	1	
14	114 785 010	Spacer (Fuel Tank)	2	
15	114 760 011	Packing (Fuel Strainer)	1	
16	114 785 100	Spacer (Fuel Tank)	2	
17	052 006 540	Pin	1	
18	051 016 120	Cotter Pin	1	
19	114 785 060	Band (Fuel Tank)	1	
20	114 757 006	Fuel Strainer	1	Includes 21 - 32
21	114 757 161	Cup (Fuel Strainer)	1	
22	114 757 071	Packing (Cup)	1	
23	114 757 062	Filter Element	1	
24	114 757 280	Pipe (Strainer)	1	
25	114 757 260	Controller (Strainer)	1	
26	114 757 270	Valve (Strainer)	1	Now available from Ed (Club) - Reproduction
27	114 757 014	Fuel Pipe (Fuel Strainer)	1	
28	114 757 124	Filter (Fuel Strainer)	1	
29	114 757 091	Nut (Fuel Strainer)	1	
30	114 757 081	Packing (Nut)	1	
31	032 004 000	Spring Washer	2	
32	043 104 100	Screw (Pan Head)	1	

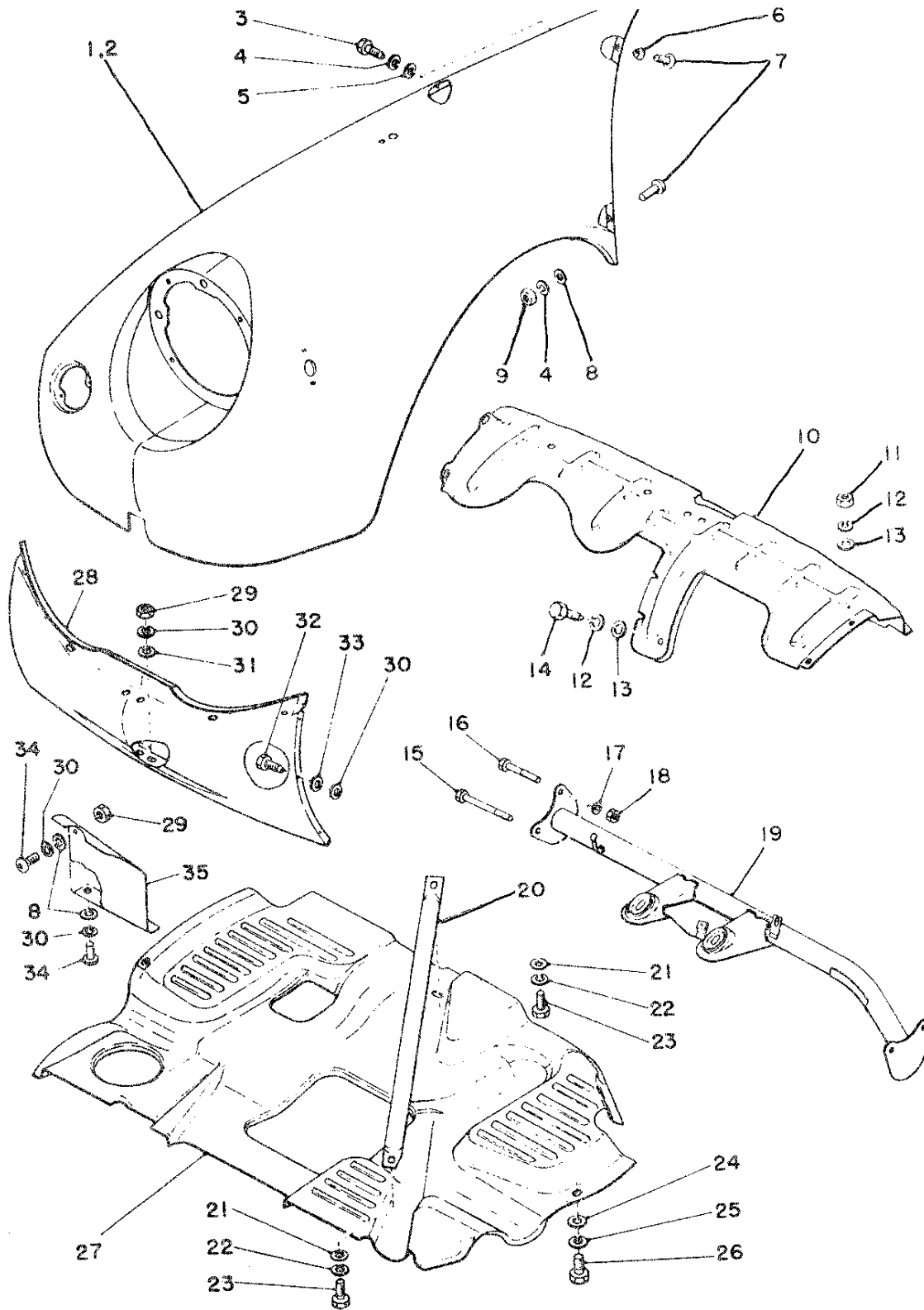
OIL TANK



OIL TANK

Item	Part Number	Nomenclature	Q'ty Req	Remarks
1	114 787 014	Oil Tank Assy	1	Includes 3 - 9, 10, 14, 11 - 13
2	043 104 200	Screw	1	
3	114 788 004	Oil Lever Unit	1	Includes 4
5	114 787 100	Packing (Oil Level Unit)	1	
6	114 787 080	Clip	1	
7	114 787 210	Pipe (Oil Tank)	1	
8	021 704 000	Nut	1	
9	043 104 200	Screw	1	
10	114 787 220	Pipe	1	
11	642 522 001	Cap (Oil Tank)	1	
12	642 523 000	Packing	1	
13	642 527 000	Filter (Oil Tank)	1	
14	114 787 200	Saucer (Oil Tank)	1	
15	114 787 190	Band (Oil Tank)	1	
16	031 006 000	Washer	2	
17	032 006 000	Spring Washer	2	
18	021 706 000	Nut	2	
19	021 704 200	Nut	1	
20	114 787 080	Clip	1	

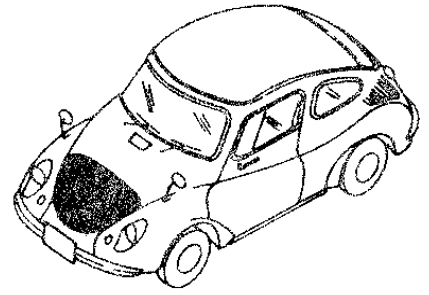
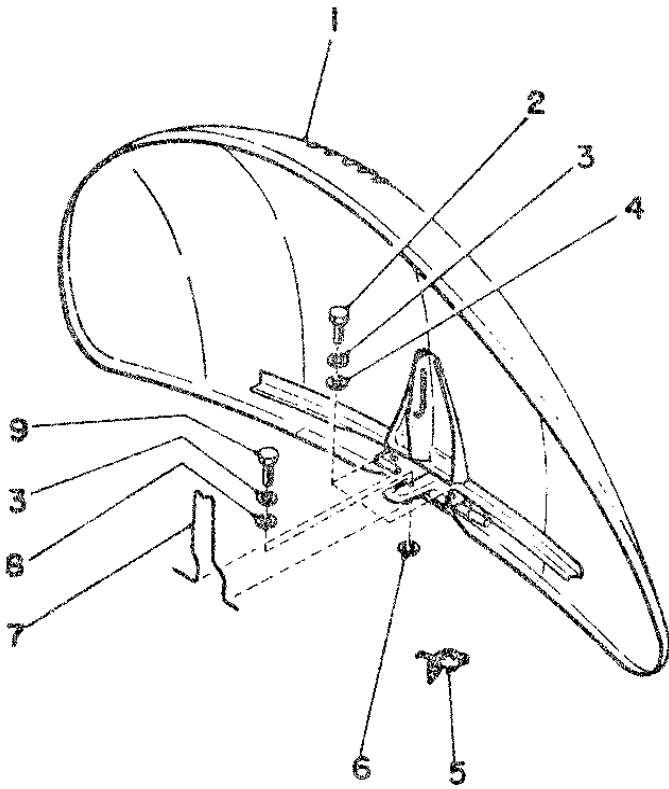
BODY PARTS



BODY PARTS

Item	Part Number	Nomenclature	Q'ty Req	Remarks
1	125 619 000	Front Fender (Right)	1	
2	125 619 010	Front Fender (Left)	1	
3	901 910 001	Bolt	6	
4	032 005 000	Spring Washer	8	
5	903 100 001	Washer (5)	6	
6	034 005 000	Lock Washer	2	
7	041 105 120	Screw	4	
8	031 005 000	Washer	2	
9	021 705 000	Nut	2	
10	115 117 001	Rear Skirt	1	
11	021 706 000	Nut	3	
12	032 006 000	Spring Washer	5	
13	031 106 000	Washer	5	
14	019 006 180	Bolt	2	
15	016 508 950	Bolt	2	
16	016 508 754	Bolt	2	
17	032 008 000	Spring Washer	4	
18	021 708 000	Nut	4	
19	115 123 000	Cross Member (Engine Support)	1	
20	115 830 020	Diagonal Member	1	
21	031 010 000	Washer	2	
22	032 010 000	Spring Washer	2	
23	016 510 220	Bolt	2	
24	903 100 011	Washer (6.7)	4	
25	032 006 000	Spring Washer	4	
26	016 506 120	Bolt	4	
27	115 810 011	Under Cover (Engine Room)	1	
28	115 621 011	Front Skirt	1	
29	021 705 000	Nut	2	
30	032 005 000	Spring Washer	8	
31	031 105 000	Washer	2	
32	901 910 006	Bolt	6	
33	031 205 001	Washer	6	
34	041 105 100	Screw (Round Head)	2	
35	115 362 132	Plate	1	

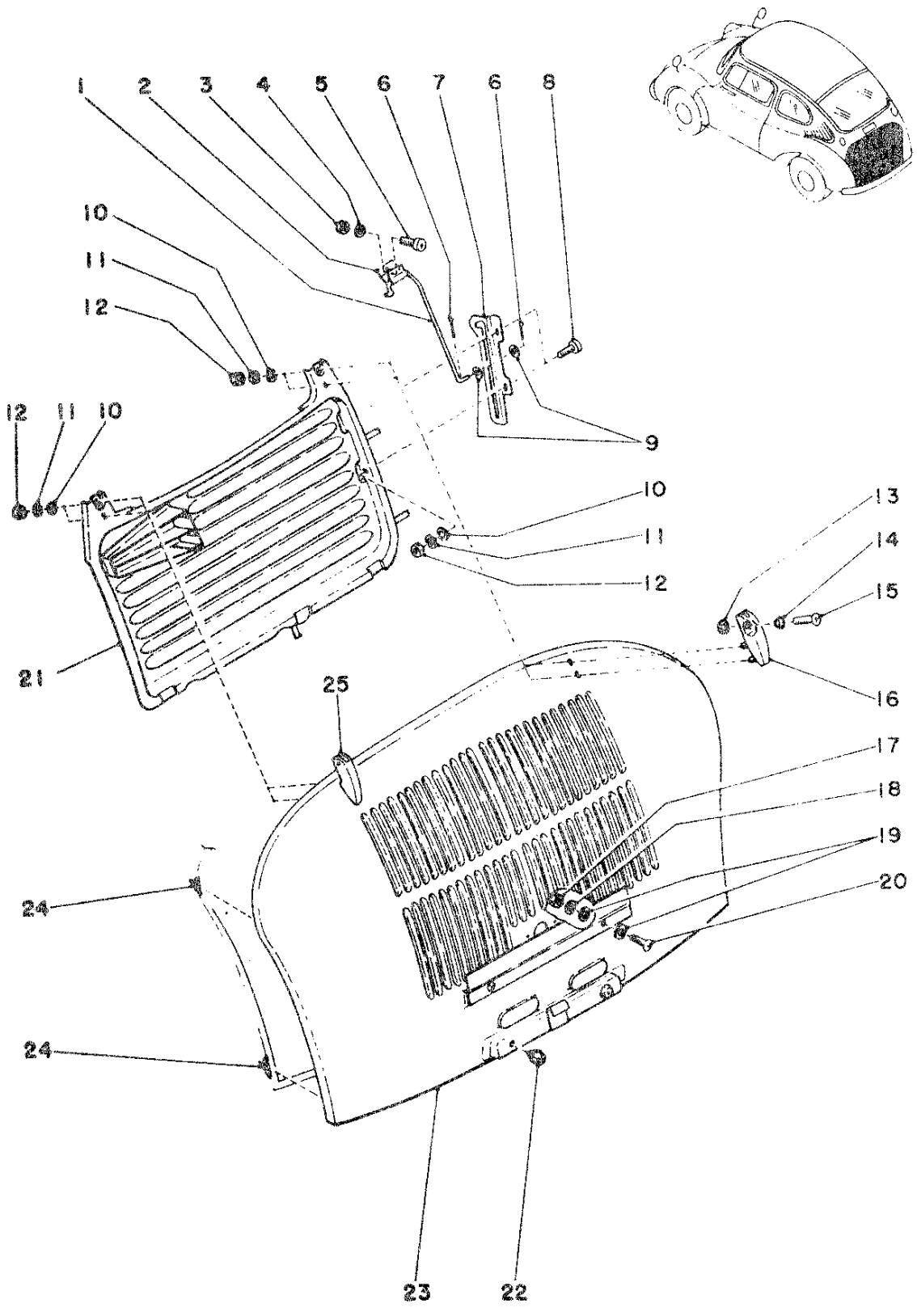
FRONT HOOD



FRONT HOOD

Item	Part Number	Nomenclature	Q'ty Req	Remarks
1	125 533 000	Front Hood	1	
2	016 505 100	Bolt	2	
3	032 005 000	Spring Washer	3	
4	031 005 000	Washer	2	
5	115 530 080	Bumper (Front Hood)	4	
6	903 100 001	Washer (5)	1	
7	115 530 050	Stay (Front Hood)	1	
8	031 205 001	Washer	1	
9	016 505 140	Bolt	1	

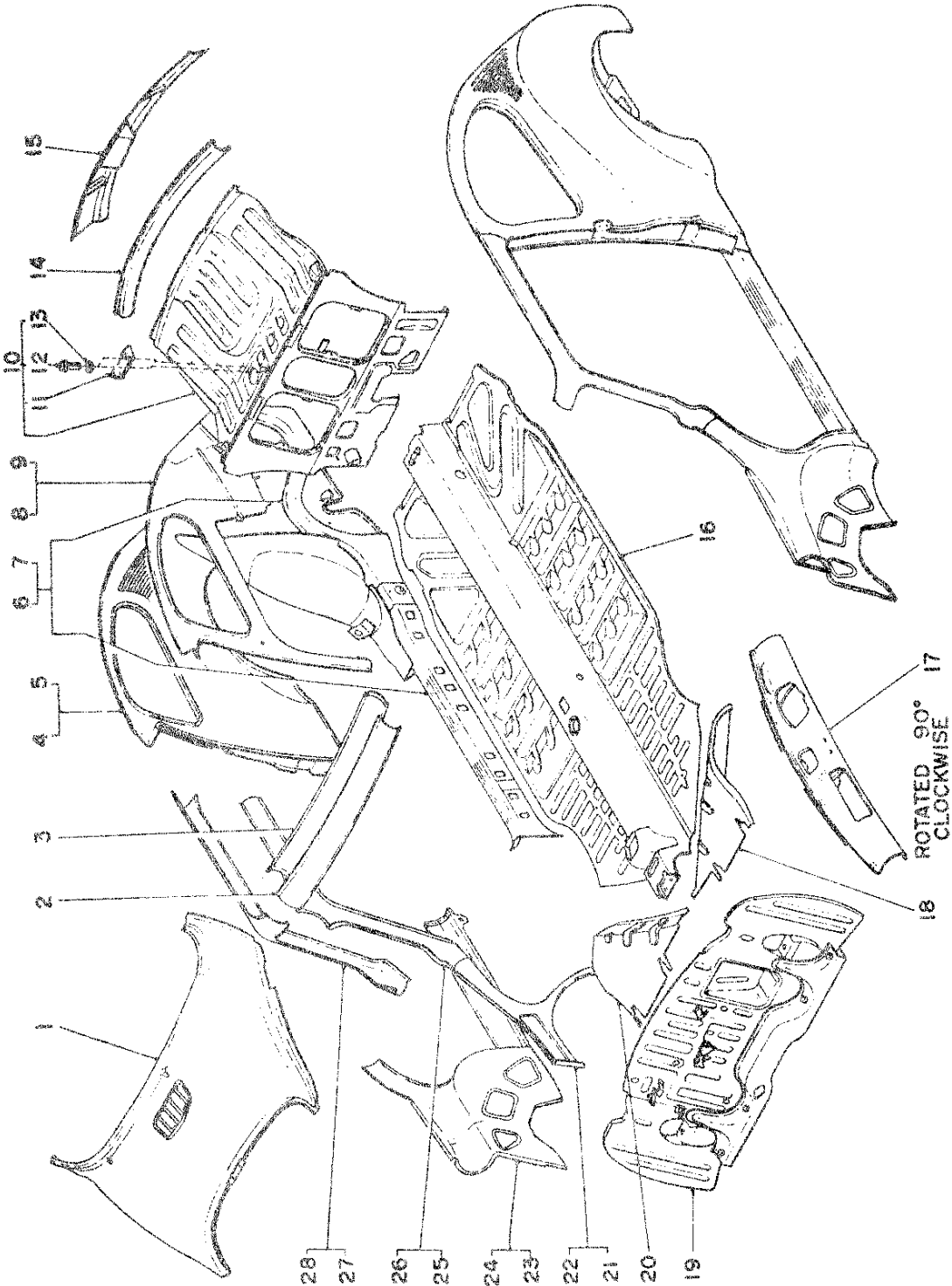
ENGINE HOOD



ENGINE HOOD

Item	Part Number	Nomenclature	Q'ty Req	Remarks
1	115 710 030	Stay (Engine Hood)	1	
2	115 710 021	Hinge (Engine Hood Stay)	1	
3	021 704 000	Nut	3	
4	032 004 000	Spring Washer	3	
5	043 104 120	Screw	3	
6	051 010 080	Cotter Pin	2	
7	115 710 010	Stopper (Engine Hood)	1	
8	043 105 100	Screw	2	
9	031 004 000	Washer	2	
10	031 005 000	Washer	6	
11	032 005 000	Spring Washer	6	
12	021 705 000	Nut	8	
13	115 729 010	Rubber Washer (Hinge)	2	
14	034 006 000	Lock Washer	2	
15	041 106 160	Screw	2	
16	115 701 001	Hinge (Engine Hood - Right)	1	
17	021 705 000	Nut	2	
18	032 005 000	Spring Washer	2	
19	031 005 000	Washer	4	
20	043 105 120	Screw	2	
21	115 719 100	Cover	1	
22	119 160 080	Rubber Plug	2	
23	125 736 904	Engine Hood	1	
24	115 530 080	Bumper (Engine Hood)	4	
25	115 702 001	Hinge (Engine Hood - Left)	1	

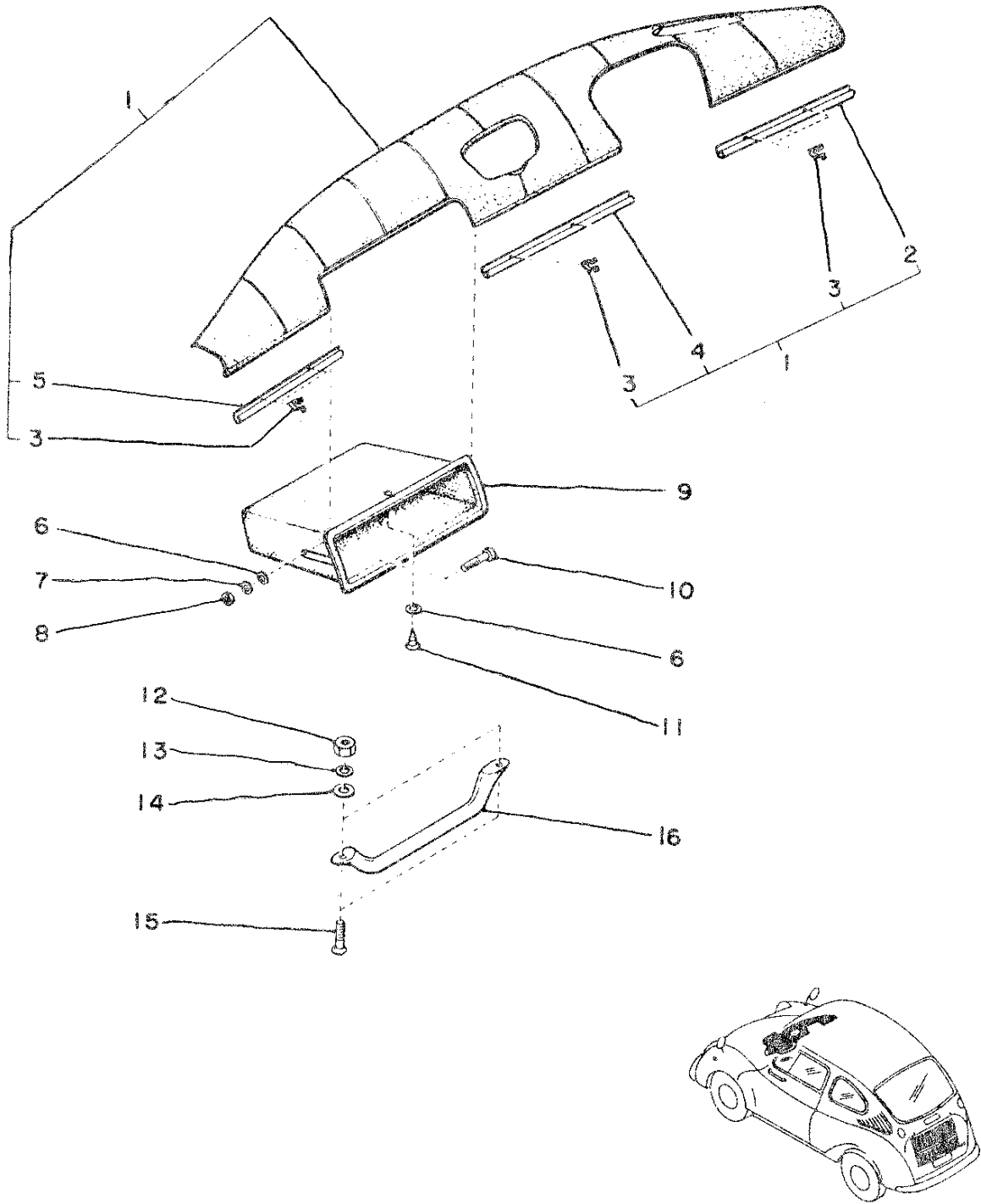
BODY CONSTRUCTION



BODY CONSTRUCTION

Item	Part Number	Nomenclature	Q'ty Req	Remarks
1	125 125 004	Cowl Panel	1	
2	115 110 020	Front Rail (Outer)	1	
3	115 110 038	Front Rail (Inner)	1	
4	115 083 003	Rear Quarter Panel (Outer Right)	1	
5	115 084 003	Rear Quarter Panel (Outer Left)	1	
6	115 072 104	Rear Fender Apron & Frame (Right)	1	
7	115 073 251	Rear Fender Apron & Frame (Left)	1	
8	115 041 005	Rear Quarter Panel (Inner Right)	1	
9	115 042 005	Rear Quarter Panel (Inner Left)	1	
10	115 390 100	Rear Bulkhead	1	Includes 11 - 13
11	115 222 100	Bracket (Fuel Tank Band)	1	
12	043 105 140	Screw	2	
13	032 005 000	Spring Washer	2	
14	115 110 051	Rear Rail	1	
15	115 013 002	Rear Panel	1	
16	125 029 000	Floor & Tunnel	1	
17	125 413 001	Instrument Panel	1	
18	115 214 260	Toe Board (Left)	1	
19	125 023 008	Front Bulkhead	1	
20	115 214 250	Toe Board (Right)	1	
21	115 350 952	Duct (Front Tire Apron - Right)	1	
22	115 350 063	Duct (Front Tire Apron - Left)	1	
23	115 054 003	Tire Apron & Side Sill (Outer Right)	1	
24	115 055 003	Tire Apron & Side Sill (Outer Left)	1	
25	115 360 014	Front Pillar (Inner Right)	1	
	115 360 030	Side Rail (Inner Right)	1	
26	115 360 741	Front Pillar (Inner Left)	1	
	115 360 040	Side Rail (Inner Left)	1	
27	115 352 100	Front Pillar (Outer Right)	1	
28	115 352 110	Front Pillar (Outer Left)	1	

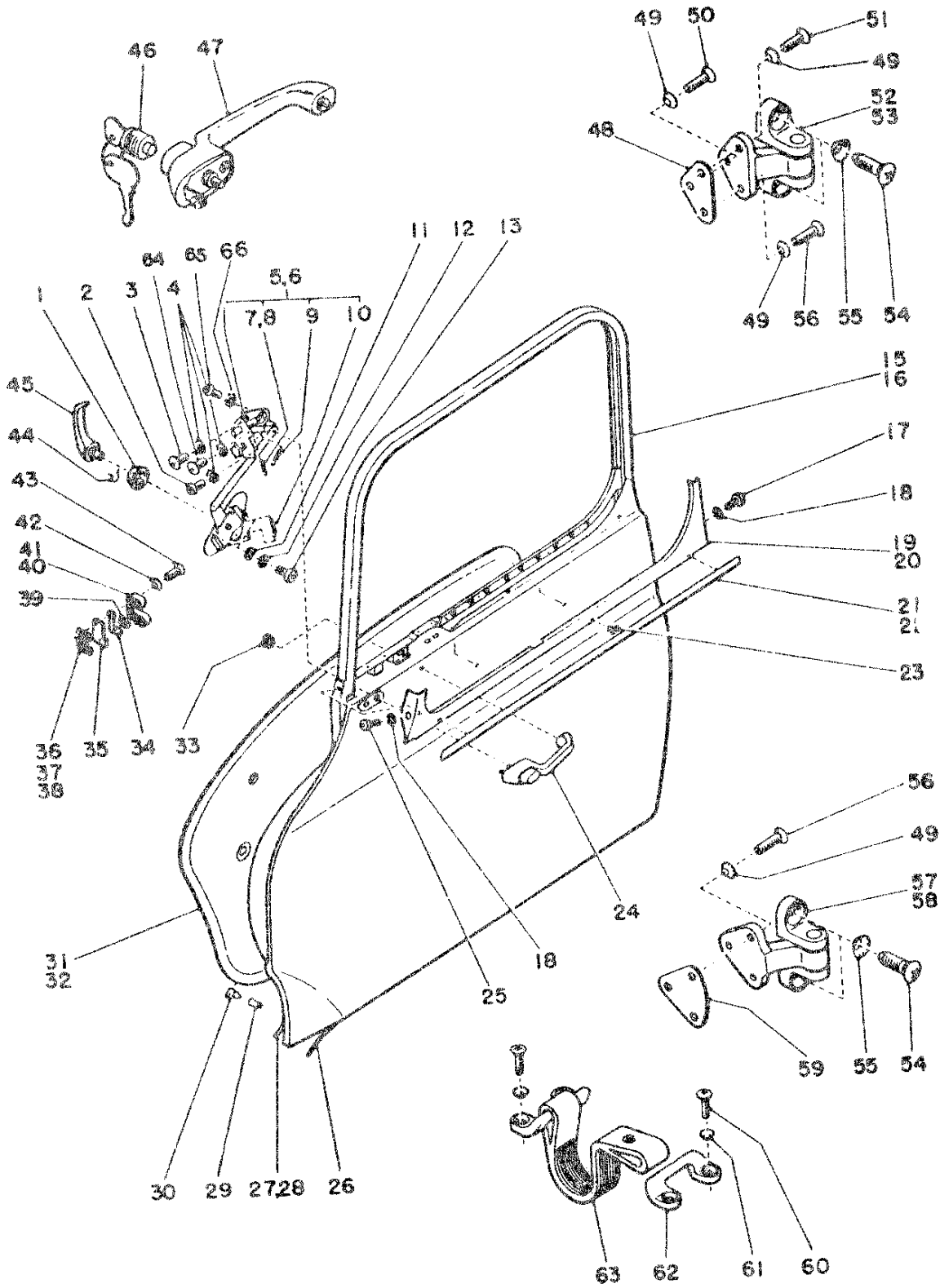
INSTRUMENT PANEL FITTING



INSTRUMENT PANEL FITTING

Item	Part Number	Nomenclature	Q'ty Req	Remarks
1	126 362 101	Pad (Instrument Panel)	1	Includes 2 - 5
2	126 362 040	Moulding (Instrument Panel - Right)	1	
3	116 361 020	Clip (Instrument Panel)	6	
4	126 362 020	Moulding (Instrument Panel - Center)	1	
5	126 362 030	Moulding (Instrument Panel - Left)	1	
6	031 104 000	Washer	2	
7	032 004 000	Spring Washer	2	
8	021 704 000	Nut	2	
9	116 361 060	Box (Instrument Panel)	1	
10	043 104 200	Screw (Pan Head)	2	
11	045 003 080	Tapping Screw (Truss Head)	2	
12	021 706 000	Nut	2	
13	032 006 000	Spring Washer	2	
14	031 106 000	Washer	2	
15	042 106 250	Screw	2	
16	116 363 011	Assist Rail	1	

DOOR



DOOR

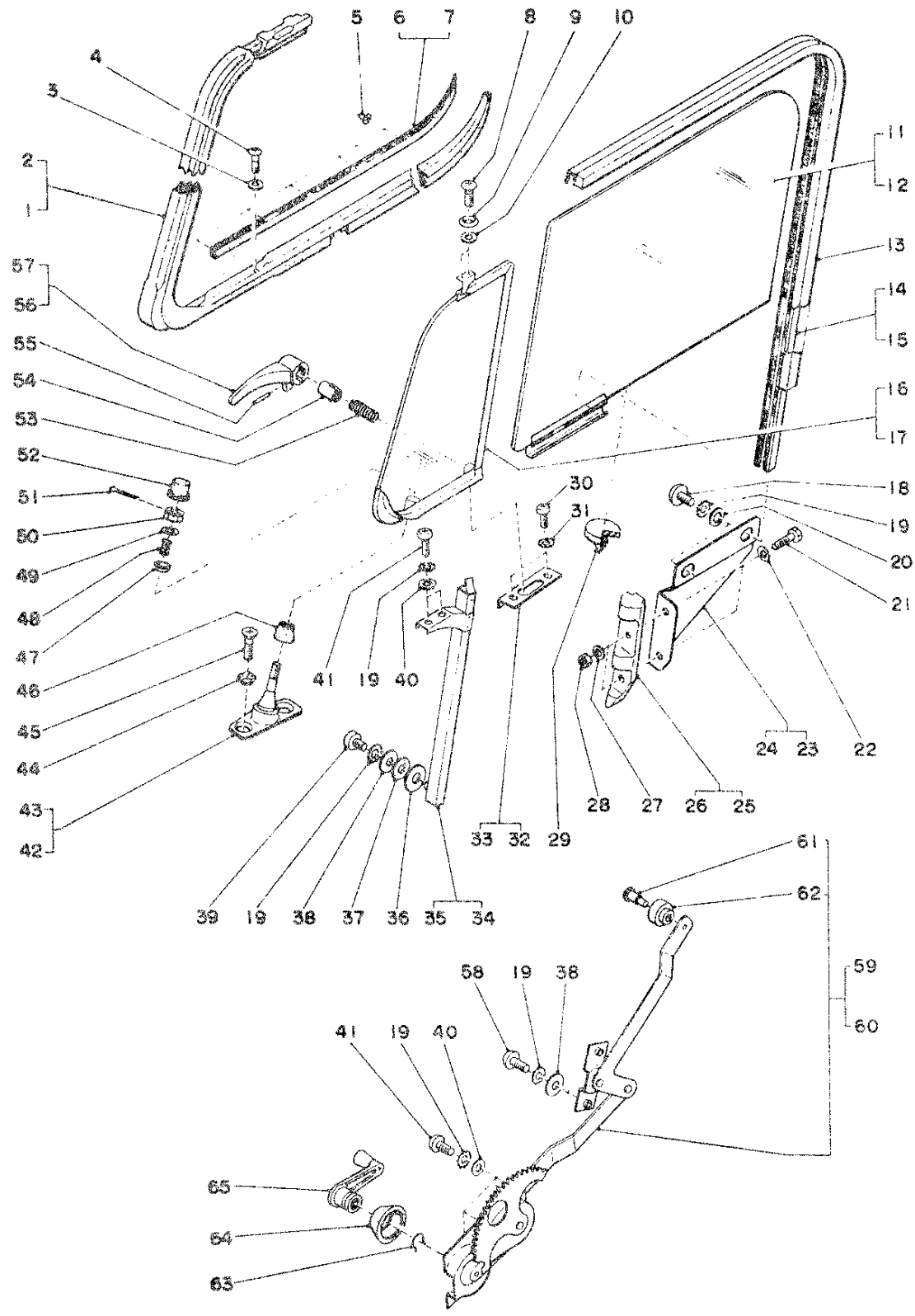
Item	Part Number	Nomenclature	Q'ty Req	Remarks
1	116 013 290	Escutcheon (Door Lock)	2	
2	043 105 100	Screw	8	
3	041 105 120	Screw	2	
4	033 005 000	Lock Washer	12	
5	125 957 002	Door Lock Link System (Right)	1	Includes 7 - 10
6	125 958 002	Door Lock Link System (Left)	1	
7	115 958 010	Locking Spring (Door Lock - Right)	1	
8	115 958 020	Locking Spring (Door Lock - Left)	1	
9	115 958 030	Spring (Door Lock)	2	
10	115 958 040	Spring (Remote)	1	
11	116 408 390	Washer	6	
12	031 105 000	Washer	6	
13	043 105 100	Screw	10	
15	115 952 994	Door Panel (Right)	1	
16	115 953 994	Door Panel (Left)	1	
17	901 550 005	Bolt (4 x 10)	2	
18	033 004 000	Lock Washer	4	
19	115 962 013	Frame Cover (Door - Right)	1	
20	115 962 023	Frame Cover (Door - Left)	1	
21	116 023 031	Metal Moulding (Door - Right)	1	
22	116 023 041	Metal Moulding (Door - Left)	1	
23	116 023 051	Clip (Door)	6	
24	116 644 002	Door Handle (Left)	1	
25	043 104 120	Screw	2	
26	115 920 370	Weather Strip (Door)	2	
27	116 013 492	Weather Strip (Door)	1	
28	116 013 502	Weather Strip (Door)	1	
29	116 013 481	Cover (Door - Inner)	14	
30	515 730 230	Clip	14	
31	116 023 104	Trim Plate (Door - Right)	1	
32	116 023 114	Trim Plate (Door - Left)	1	
33	116 013 570	Cap (Door - Inner)	2	
34	515 600 100	Rubber Plate (Striker)	1	
35	116 005 050	Spacer (Striker)	0 - 2	Select One
36	116 005 010	Spacer (Striker)	0 - 2	
37	116 005 020	Spacer (Striker)	0 - 2	
38	116 005 030	Spacer (Striker)	0 - 2	
39	515 600 110	Cushion (Striker)	2	
40	661 001 050	Striker (Door Lock - Right)	1	

DOOR

Item	Part Number	Nomenclature	Q'ty Req	Remarks
40	661 001 050	Striker (Door Lock - Right)	1	
41	661 001 060	Striker (Door Lock - Left)	1	
42	034 006 000	Lock Washer	4	
43	904 100 004	Screw (6 x 30)	4	
44	116 013 270	Retainer Spring (Door)	2	
45	116 013 251	Inner Handle (Door Lock)	2	
46	115 690 001	Lock & Key Kit	1	
47	116 643 002	Door Handle (Right)	1	
48	115 950 080	Liner (Door Hinge - Upper)	1	
49	034 006 000	Lock Washer	12	
50	041 106 160	Screw	2	
51	041 106 140	Screw	2	
52	115 921 001	Door Hinge (Upper Right)	1	
53	115 922 001	Door Hinge (Upper Left)	1	
54	116 013 560	Screw	8	
55	034 008 000	Lock Washer	8	
56	041 106 200	Screw	8	
57	115 923 001	Door Hinge (Lower Right)	1	
58	115 924 001	Door Hinge (Lower Left)	1	
59	115 950 090	Liner (Door Hinge - Lower)	1	
60	042 105 200	Screw	8	
61	034 005 000	Lock Washer	8	
62	116 052 030	Bracket (Door Stopper Belt)	4	
63	116 052 040	Belt (Door Stopper)	2	
64	041 105 160	Screw	2	
65	043 105 101	Screw (5 x 10)	2	
66	903 300 002	Lock Washer	2	

BLANK PAGE

DOOR WINDOW & REGULATOR



DOOR WINDOW & REGULATOR

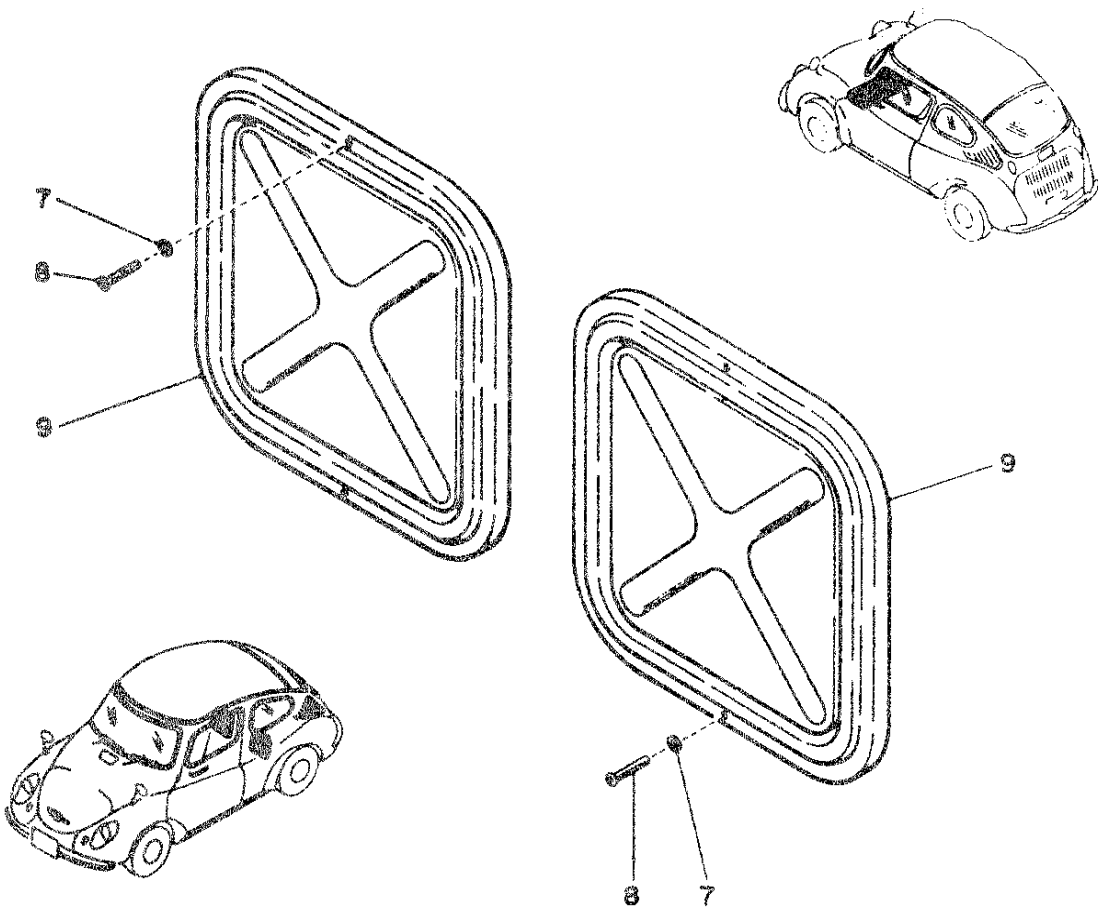
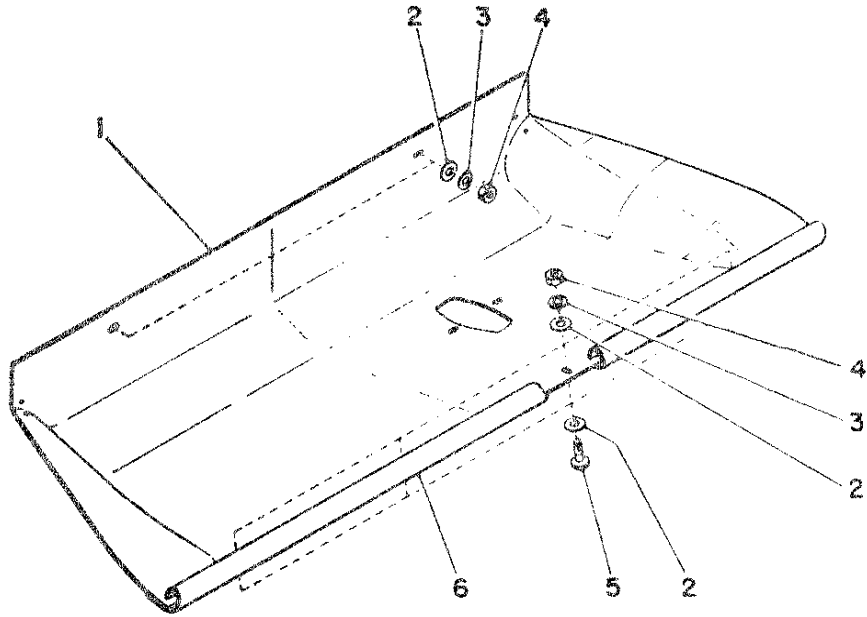
Item	Part Number	Nomenclature	Q'ty Req	Remarks
1	116 408 101	Rubber Frame (Right)	1	
2	116 408 111	Rubber Frame (Left)	1	
3	031 104 000	Washer	2	
4	904 310 005	Screw	2	
5	116 013 320	Clip (Glass Channel)	10	
6	116 013 121	Glass Channel (Right)	1	
7	116 013 131	Glass Channel (Left)	1	
8	042 105 100	Screw	4	
9	035 105 000	Rosette	4	
10	116 408 390	Washer	4	
11	116 013 700	Door Glass (Right)	1	
12	116 013 710	Door Glass (Left)	1	
13	116 013 100	Spacer (Run Channel)	2	
14	116 013 082	Run Channel (Door - Right)	1	
15	116 013 092	Run Channel (Door - Left)	1	
16	116 404 170	Ventilator (Door - Right)	1	
17	116 404 180	Ventilator (Door - Left)	1	
18	116 013 410	Screw	4	
19	033 006 000	Lock Washer	22	
20	031 106 000	Washer	4	
21	016 505 140	Bolt	4	
22	032 005 000	Spring Washer	4	
23	115 952 620	Bracket (Door Glass - Right)	1	
24	115 952 630	Bracket (Door Glass - Left)	1	
25	115 952 640	Slider (Door Glass - Right)	1	
26	115 952 650	Slider (Door Glass - Left)	1	
27	031 005 000	Washer	4	
28	021 705 000	Nut	4	
29	661 125 000	Stopper (Door Glass)	2	
30	043 104 101	Screw	4	
31	903 300 001	Lock Washer	4	
32	116 404 320	Lock Bracket (Ventilator - Right)	1	
33	116 404 330	Lock Bracket (Ventilator - Left)	1	
34	115 952 242	Center Sash (Door - Right)	1	
35	115 952 252	Center Sash (Door - Left)	1	
36	031 206 001	Washer	6	For adjusting
37	515 500 070	Rubber Washer	2	
38	031 206 001	Washer	6	
39	043 106 080	Screw	2	
40	031 006 000	Washer	12	

DOOR WINDOW & REGULATOR

Item	Part Number	Nomenclature	Q'ty Req	Remarks
41	043 106 120	Screw	12	
42	116 401 052	Bracket (Ventilator - Right)	1	
43	116 401 062	Bracket (Ventilator - Left)	1	
44	903 400 002	Lock Washer	4	
45	042 105 161	Screw	4	
46	116 401 150	Nylon Bushing	2	
47	116 401 101	Pan (Coil Spring)	2	
48	116 401 090	Coil Spring	2	
49	031 005 000	Washer	2	
50	023 105 000	Castel Nut (5)	2	
51	051 012 120	Cotter Pin	2	
52	116 401 221	Cap	2	
53	116 408 250	Spring (Stopper)	2	
54	116 408 210	Push Button (Stopper)	2	
55	116 408 240	Pin (Stopper)	2	
56	116 408 220	Handle (Ventilator - Right)	1	
57	116 408 230	Handle (Ventilator - Left)	1	
58	043 106 100	Screw	4	
59	115 965 003	Regulator (Door Glass - Right)	1	Includes 61, 62
60	115 966 003	Regulator (Door Glass - Left)	1	
61	115 966 030	Shaft (Regulator)	2	
62	115 966 020	Roller (Regulator)	2	
63	116 013 270	Retainer Spring (Door)	2	
64	116 013 281	Escutcheon (Regular Handle)	2	
65	116 013 552	Handle (Regulator)	2	

BLANK PAGE

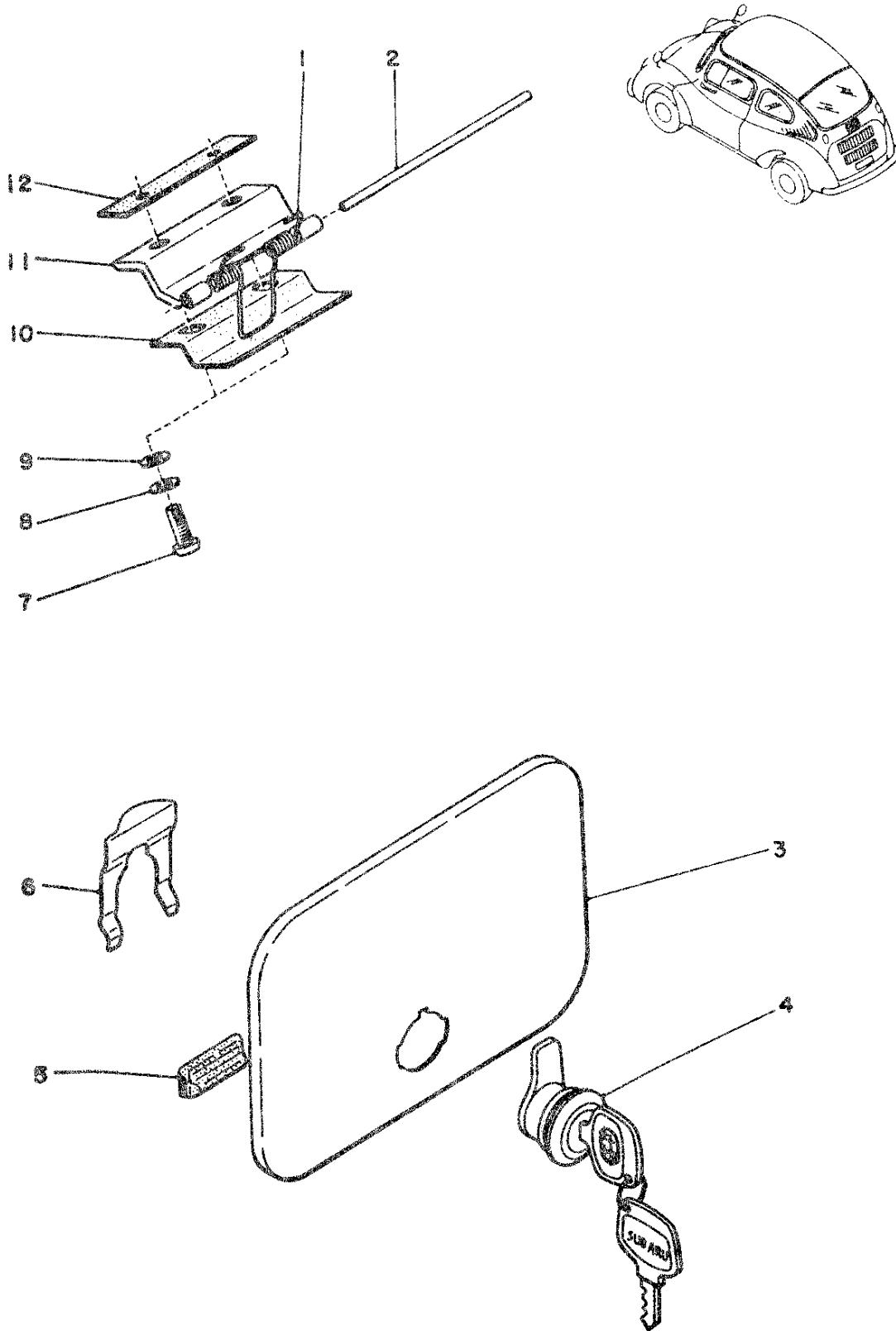
LUGGAGE SHELF & TRAP DOOR



LUGGAGE SHELF & TRAP DOOR

Item	Part Number	Nomenclature	Q'ty Req	Remarks
1	126 231 015	Panel (Luggage Shelf)	1	
2	031 205 001	Washer	10	
3	032 005 000	Spring Washer	6	
4	021 705 000	Nut	6	
5	043 105 120	Screw	4	
6	146 241 032	Frame (Luggage Shelf)	1	
7	031 104 000	Washer	4	
8	116 310 021	Screw	4	
9	116 320 063	Trap Door (Rear Bulkhead)	2	

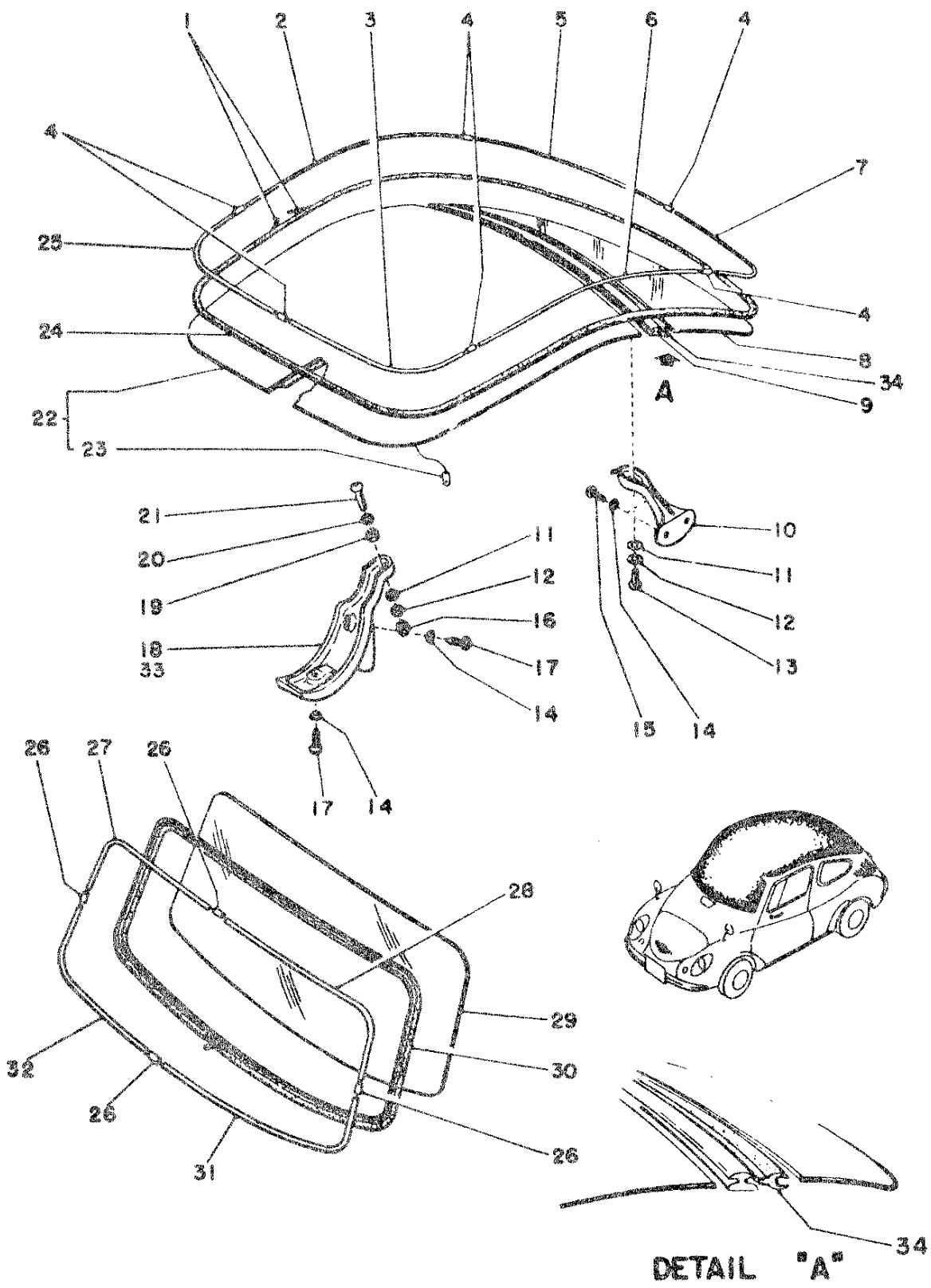
FUEL FILLER FLAP



FUEL FILLER FLAP

Item	Part Number	Nomenclature	Q'ty Req	Remarks
1	116 360 170	Spring (Hinge)	1	Includes 1, 2, 12
2	116 360 150	Pin (Hinge)	1	
3	116 350 101	Flap	1	
4	116 350 910	Flap Lock	1	
5	116 350 031	Stopper (Flap)	1	
6	116 350 020	Clip	1	
7	043 105 120	Screw	2	
8	032 005 000	Spring Washer	2	
9	031 105 000	Washer	2	
10	116 360 191	Cover (Hinge)	1	
11	116 360 162	Hinge B	1	
12	116 360 180	Packing (Hinge)	1	

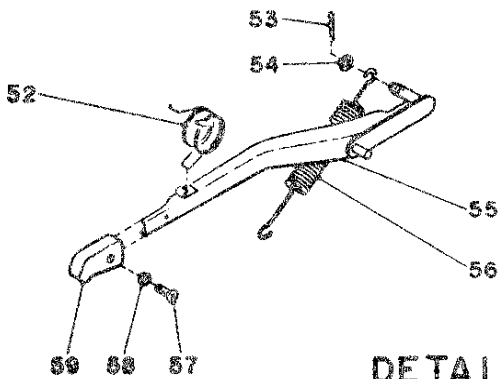
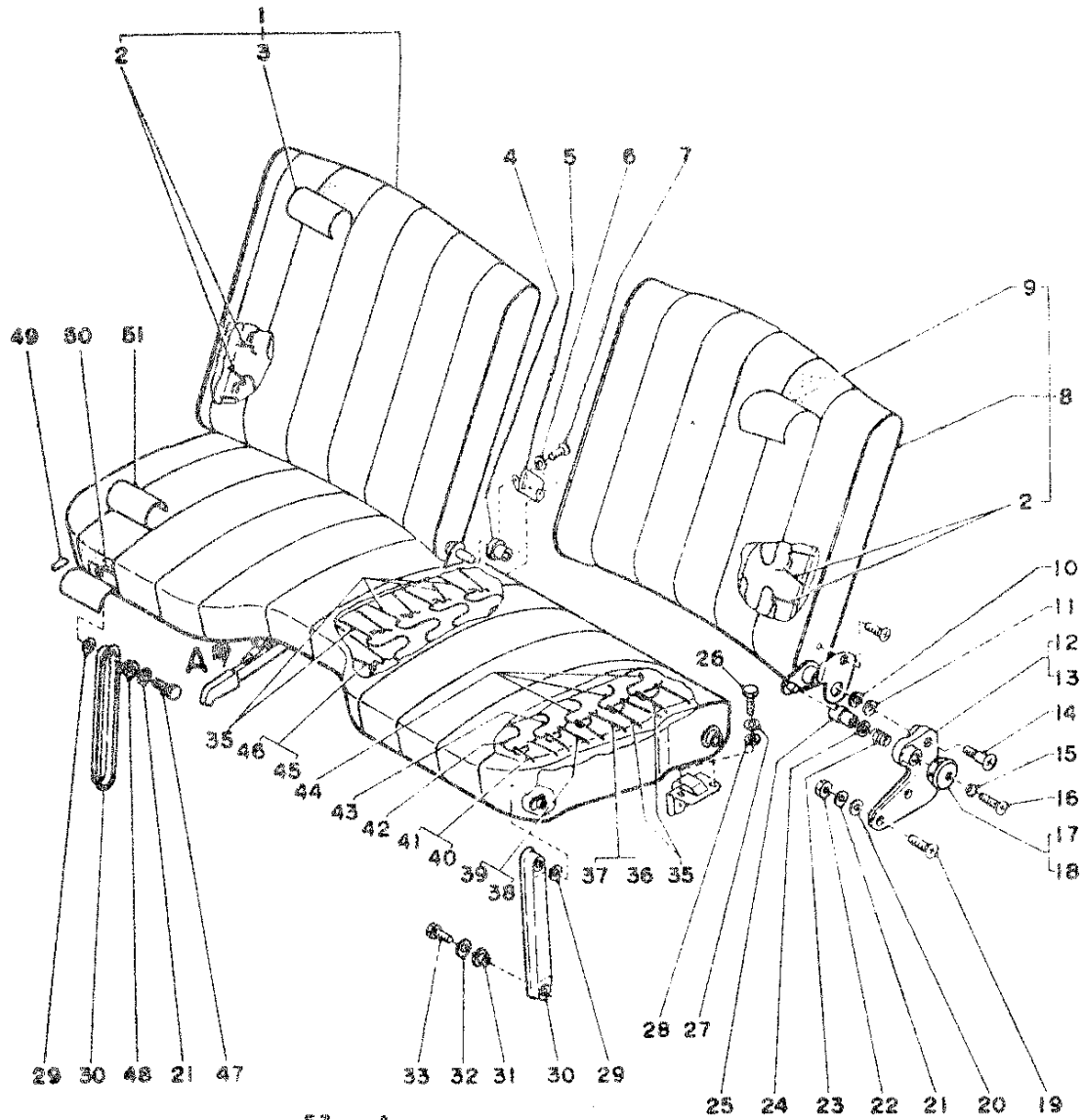
ROOF & WINDSHIELD GLASS



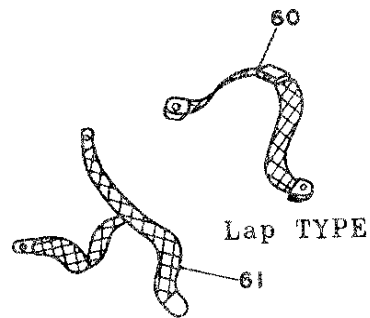
ROOF & WINDSHIELD GLASS

Item	Part Number	Nomenclature	Q'ty Req	Remarks
1	909 800 201	Rubber Wedge (Weather Strip)	1	
2	116 419 130	Moulding (Roof - Center Right)	1	
3	116 419 120	Moulding (Roof - Front Left)	1	
4	116 418 130	Joint (Moulding)	6	
5	116 419 150	Moulding (Roof - Rear Right)	1	
6	116 419 140	Moulding (Roof - Center Left)	1	
7	116 419 160	Moulding (Roof - Rear Left)	1	
8	126 414 010	Windshield Glass (Rear)	1	
9	116 425 032	Roof Rail	1	
10	116 425 041	Bracket (Roof Rail)	2	
11	903 100 030	Washer (4.5)	5	
12	032 005 000	Spring Washer	4	
13	043 105 121	Screw (4 x 12)	2	
14	034 005 000	Lock Washer	6	
15	046 005 140	Tapping Screw	4	
16	902 450 011	Cap Nut (4)	2	
17	046 004 200	Tapping Screw	2	
18	119 208 132	Bracket (Sun Visor & Roof - Left)	1	
19	021 705 000	Nut	2	
20	116 425 091	Washer (Roof Panel)	2	
21	116 425 072	Screw	2	
22	116 427 906	Roof Panel	1	Includes 23
23	116 424 060	Lug (Antenna Jack)	1	
24	116 419 013	Weather Strip (Roof)	1	
25	116 419 110	Moulding (Roof - Front Right)	1	
26	116 418 130	Joint (Moulding)	4	
27	116 418 111	Moulding (Front Glass - Upper Right)	1	
28	116 418 121	Moulding (Front Glass - Upper Left)	1	
29	116 411 080	Windshield Glass (Front)	1	
30	116 418 211	Weather Strip (Front Glass)	1	
31	116 418 151	Moulding (Front Glass - Lower Left)	1	
32	116 418 141	Moulding (Front Glass - Lower Right)	1	
33	119 207 132	Bracket (Sun Visor & Roof - Right)	1	
34	126 414 020	Weather Strip (Roof Rail)	1	

FRONT SEAT



DETAIL "A"



**3 Point Type
SAFETY BELT**

FRONT SEAT

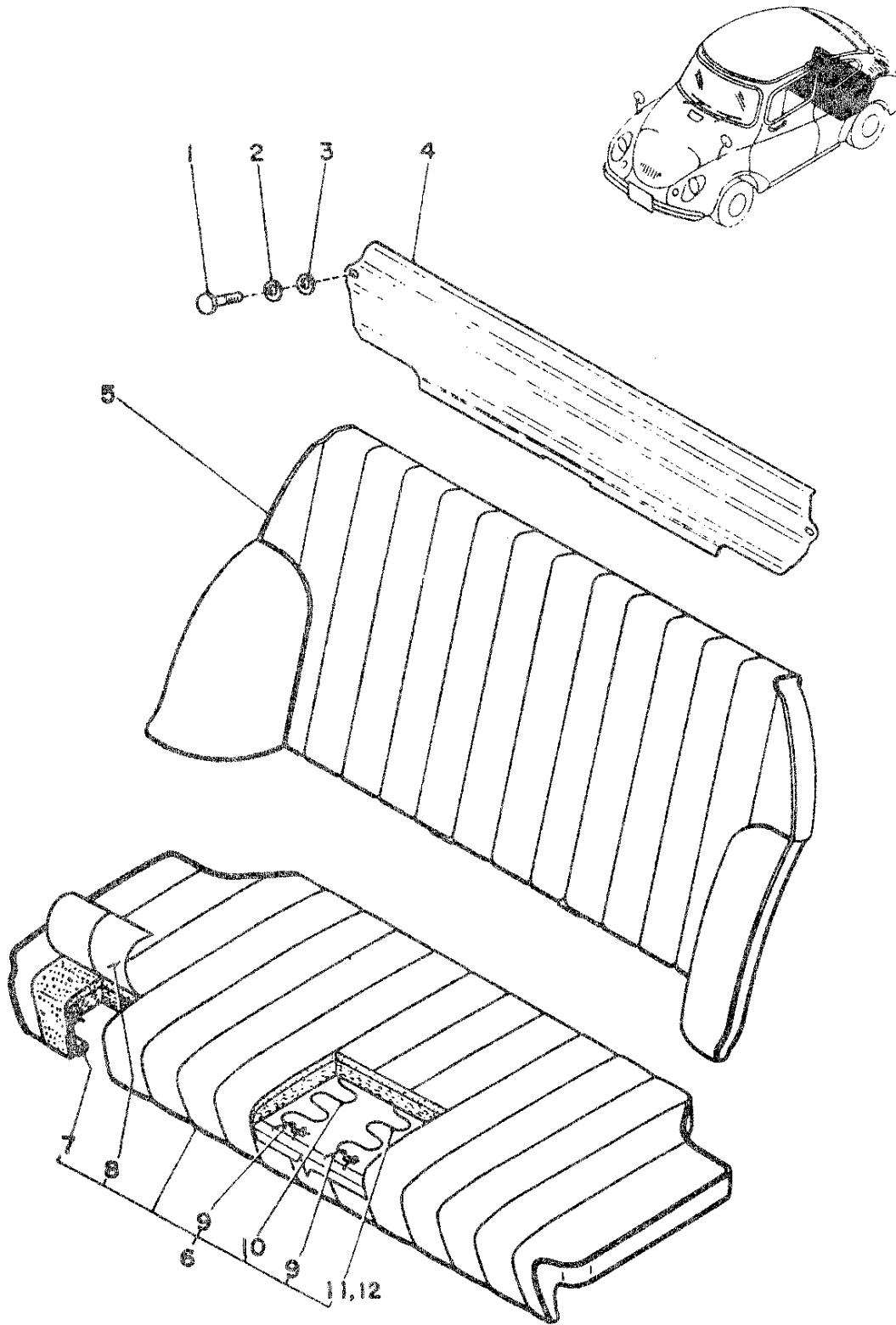
Item	Part Number	Nomenclature	Q'ty Req	Remarks
	116 111 020	Front Seat Assy	1	Includes 1 - 25, 29, 30, 34 - 59; RED
1	116 126 001	Back Rest (Front Right)	1	
2	116 185 171	M Pin (J)	4	
3	116 124 014	Back Rest Cover (Front Right)	1	
4	116 181 061	Bushing (Back Rest Hinge)	2	
5	119 241 040	Bracket (Ash Tray)	1	
6	032 040 000	Spring Washer	2	
7	045 504 080	Tapping Screw	2	
8	116 127 021	Back Rest (Front Left)	1	
9	116 124 024	Back Rest Cover (Front Left)	1	
10	032 006 000	Spring Washer	2	
11	116 181 201	Washer (Hinge Bracket)	2	
12	116 181 072	Bracket (Front Seat - Right)	1	
13	116 181 082	Bracket (Front Seat - Left)	1	
14	116 181 190	Plus Screw (Bracket)	2	
15	034 005 000	Lock Washer	2	
16	042 105 120	Screw	2	
17	116 181 120	Knob (Stopper - Right)	1	
18	116 181 130	Knob (Stopper - Left)	1	
19	116 181 180	Screw	4	
20	031 008 000	Washer	4	
21	032 008 000	Spring Washer	6	
22	021 708 000	Nut	4	
23	116 181 110	Spring (Stopper)	2	
24	116 181 100	Washer	2	
25	116 181 091	Shaft (Stopper)	2	
26	016 606 160	Bolt	4	
27	032 006 000	Spring Washer	4	
28	031 106 000	Washer	4	
29	515 950 070	Washer	2	
30	116 181 011	Link (Front Seat)	2	
31	116 181 150	Spacer (Link)	2	
32	032 008 000	Spring Washer	3	
33	016 608 200	Bolt	3	
35	116 184 230	M Pin (D)	12	
36	116 184 240	M Pin (E) (Right)	1	
37	116 184 250	M Pin (F) (Left)	1	
38	116 184 260	M Pin (G) (Right)	1	

FRONT SEAT

Item	Part Number	Nomenclature	Q'ty Req	Remarks
39	116 184 270	M Pin (H) (Left)	1	
40	116 184 280	M Pin (K) (Right)	1	
41	116 184 290	M Pin (L) (Left)	1	
42	116 184 220	Spring (F)	2	
43	116 184 210	Spring (E)	2	
44	116 184 200	Spring (D)	6	
45	116 184 300	M Pin (M) (Right)	1	
46	116 184 310	M Pin (N) (Left)	1	
47	015 508 200	Bolt	2	
48	116 181 150	Spacer (Link)	2	
49	116 505 031	Clip	25	
50	116 184 190	Clip	2	
51	116 122 014	Cushion Cover (Front)	1	RED
52	116 181 041	Set Spring (Adjuster Lever)	1	
53	051 030 150	Cotter Pin	1	
54	031 010 000	Washer	1	
55	116 113 001	Adjuster Lever	1	
56	116 181 050	Reversal Spring	1	
57	042 103 080	Screw	1	
58	034 030 000	Lock Washer	1	
59	116 181 030	Grip (Adjuster Lever)	1	
60	119 350 020	Safty Belt (Lap Type)	2	Takada Make
61	119 350 011	Safty Belt (3 Point Type)	2	Takada Make

BLANK PAGE

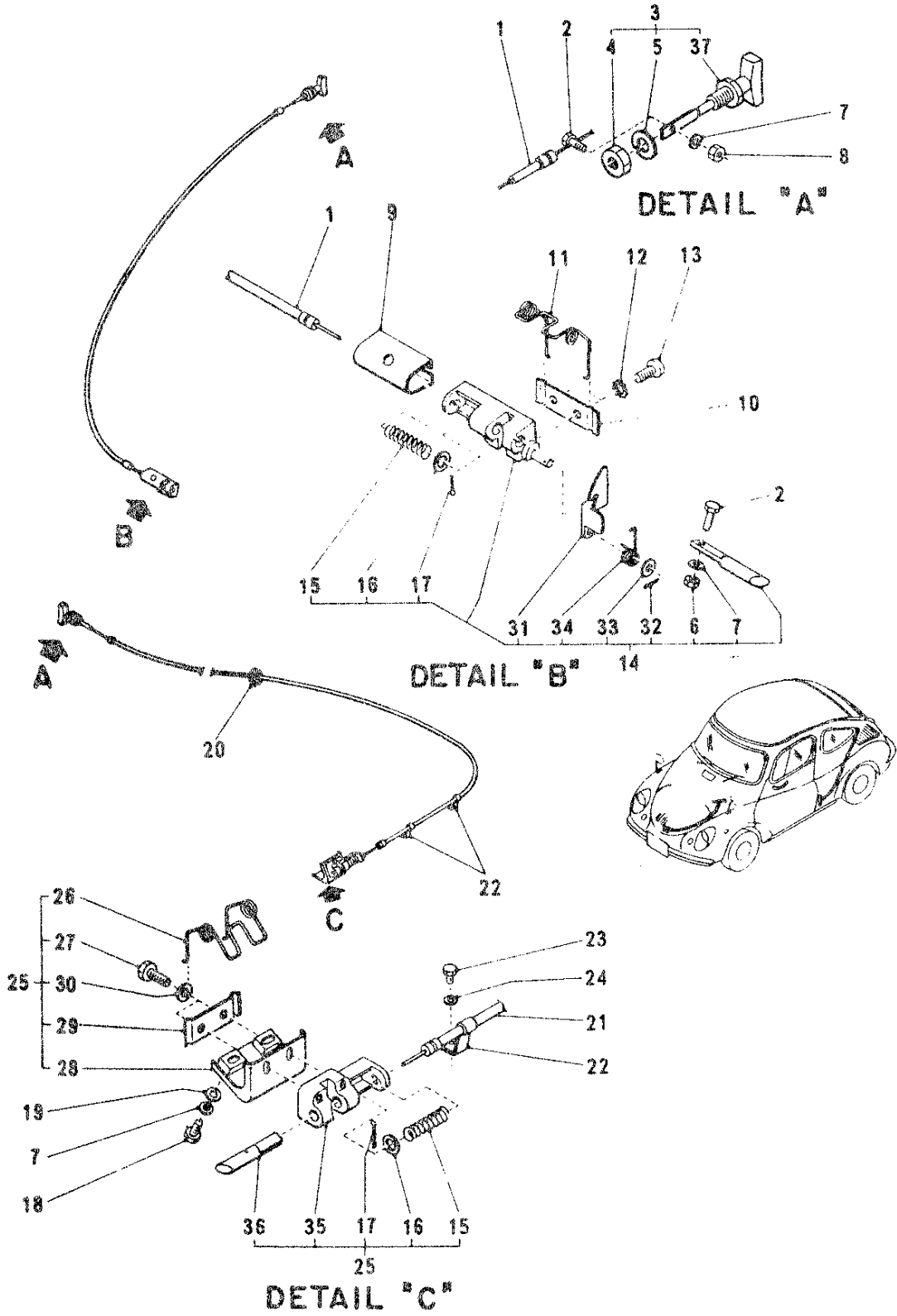
REAR SEAT



REAR SEAT

Item	Part Number	Nomenclature	Q'ty Req	Remarks
1	019 006 250	Bolt	2	
2	032 006 000	Spring Washer	2	
3	903 100 002	Washer (6)	2	
4	116 538 013	Rim (Back Rest - Rear)	1	
5	116 128 031	Back Rest (Rear)	1	Includes 4 RED
6	116 127 031	Seat Cushion (Rear)	1	Includes 7 - 12 RED
7	116 505 031	Clip	34	
8	116 127 015	Cushion Cover (Rear)	1	RED
9	116 245 070	Spring (I)	8	
10	116 245 080	Spring (J)	2	
11	116 245 090	Spring (K)	1	
12	116 245 100	Spring (L)	1	

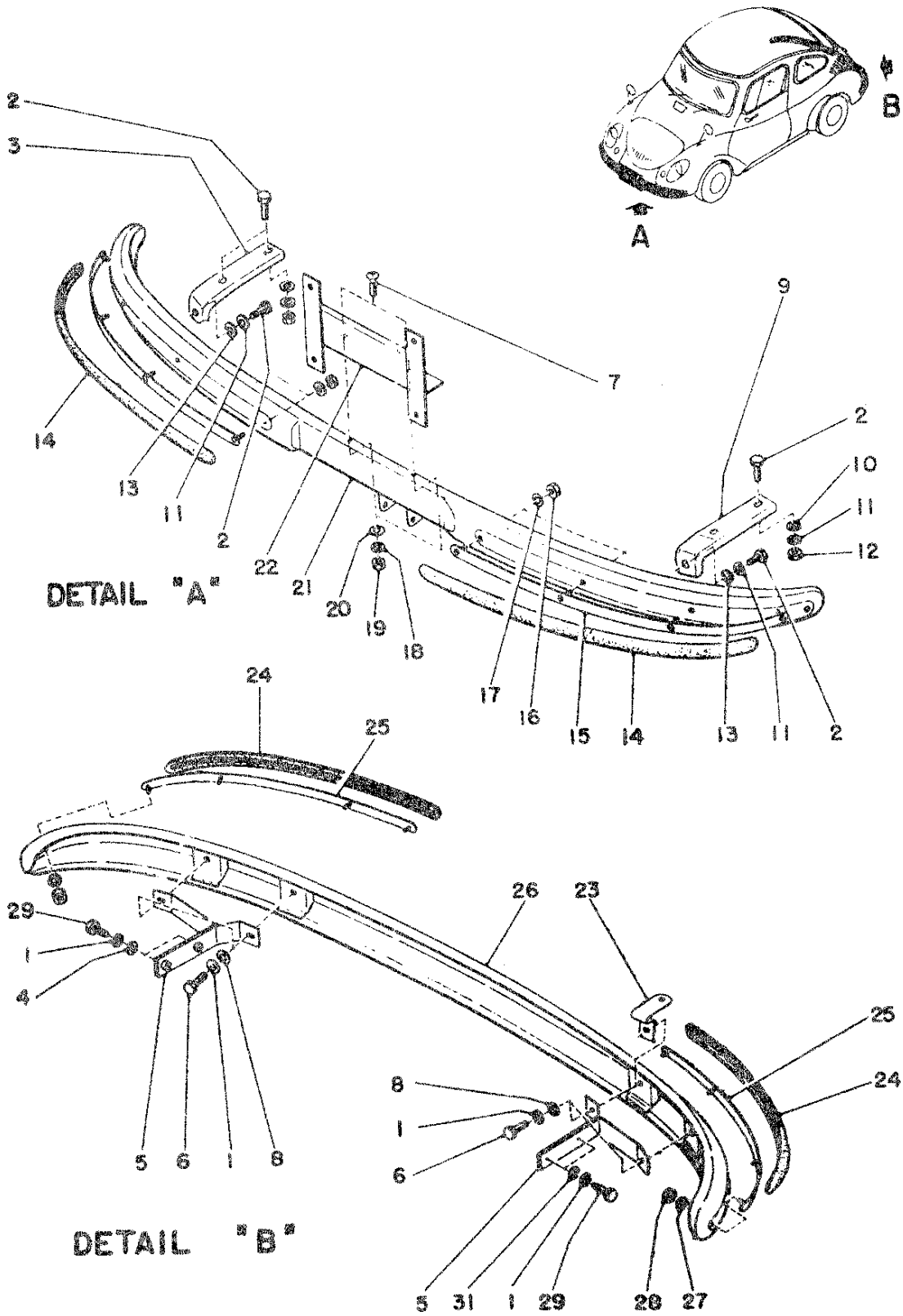
FRONT & ENGINE HOOD LOCK



FRONT & ENGINE HOOD LOCK

Item	Part Number	Nomenclature	Q'ty Req	Remarks
1	116 753 010	Hood Cable (Front)	1	
2	114 541 091	Bolt	3	
3	116 751 001	Hook (Hood Cable)	2	Includes 4, 5, 37
4	021 710 000	Nut	2	
5	032 010 000	Spring Washer	2	
6	021 705 000	Nut	1	
7	032 005 000	Spring Washer	5	
8	021 705 000	Nut	2	
9	116 750 100	Cover (Front Hood Lock)	1	
10	116 730 030	Lock Plate (Torsion Spring)	1	
11	116 730 060	Spring (Front Hood Lock)	1	
12	033 006 000	Lock Washer	2	
13	041 106 000	Screw	2	
14	116 730 102	Front Hood Lock	1	Includes 6, 7, 15 - 17, 31 - 34
15	116 730 050	Coil Spring (Hood Lock)	2	
16	903 100 003	Washer (8.5)	2	
17	051 020 150	Cotter Pin	2	
18	016 505 120	Bolt	2	
19	031 105 000	Washer	2	
20	116 761 020	Grommet	1	
21	116 762 030	Hood Cable (Rear)	1	
22	116 761 010	Clip	2	
23	016 504 080	Bolt	1	
24	032 004 000	Spring Washer	1	
25	116 770 002	Engine Hood Lock Assy	1	Includes 15 - 17, 21, 26 - 30, 35, 36
26	116 770 030	Spring (Engine Hood Lock)	1	
27	016 506 160	Bolt	2	
28	116 770 051	Base (Engine Hood Lock)	1	
29	116 770 040	Lock Plate (Engine Hood Lock)	1	
30	032 006 000	Spring Washer	2	
31	116 730 110	Latch (Secondary)	1	
32	051 010 100	Cotter Pin	1	
33	031 006 000	Washer	1	
34	116 730 120	Spring	1	
35	116 770 010	Base (Hood Lock)	1	
36	116 770 021	Slider (R - Hood Lock)	1	
37	116 751 011	Hook (Hood Release)	2	

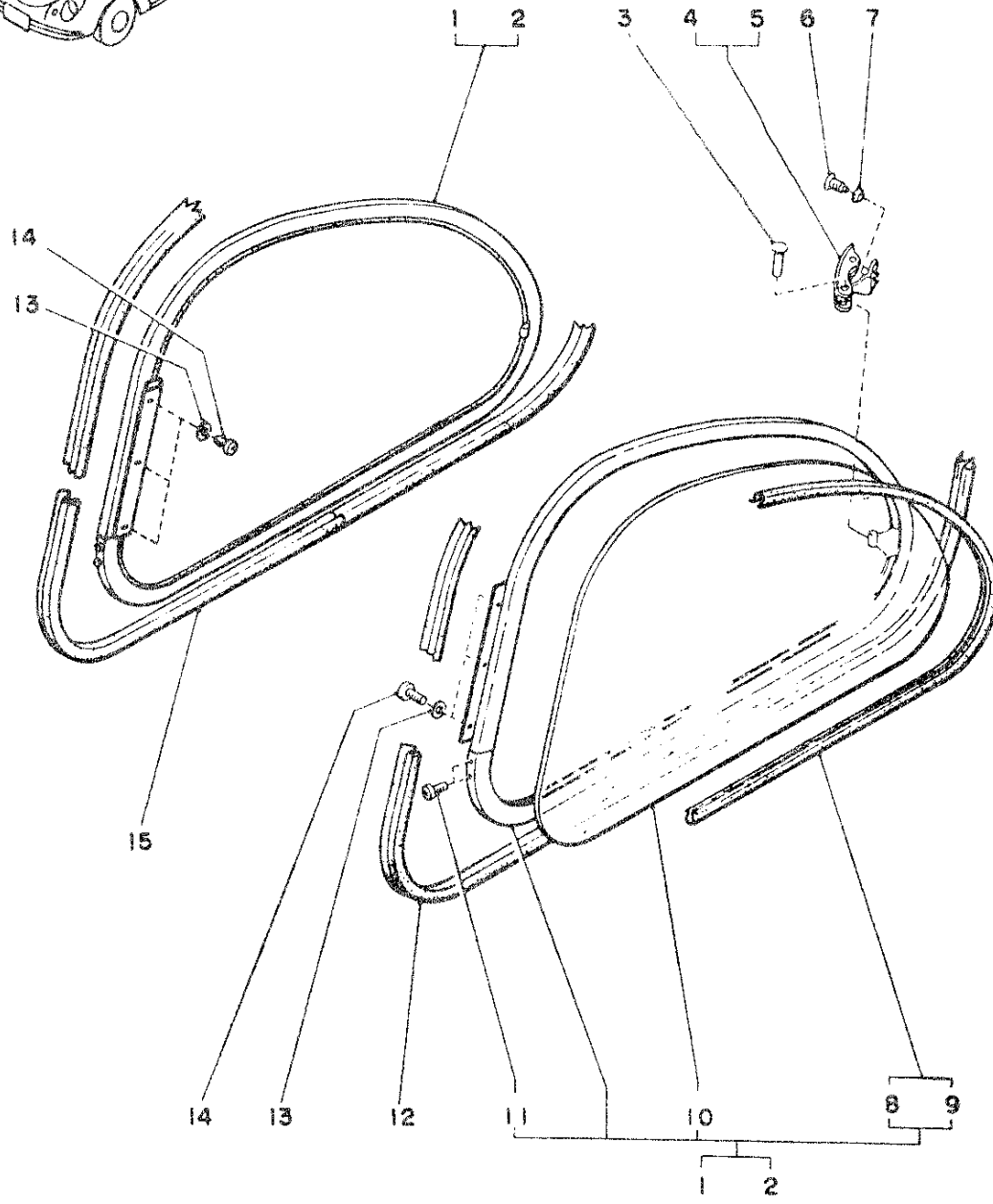
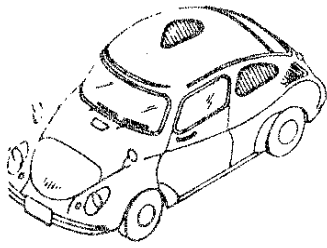
FRONT & REAR BUMPER



FRONT & REAR BUMPER

Item	Part Number	Nomenclature	Q'ty Req	Remarks
1	032 006 000	Spring Washer	8	
2	016 506 180	Bolt	6	
3	116 830 035	Bracket (Front Bumper - Right)	1	
4	031 006 000	Washer	4	
5	116 814 010	Stay (Rear Bumper)	2	
6	016 506 140	Bolt	4	
7	043 105 120	Screw	2	
8	031 206 001	Washer	4	
9	116 830 045	Bracket (Front Bumper - Left)	1	
10	031 106 000	Washer	4	
11	032 006 000	Spring Washer	6	
12	021 706 000	Nut	4	
13	031 008 000	Washer	2	
14	116 845 011	Ornament (Front Bumper)	2	
15	116 845 021	Holder (Ornament - Front)	2	
16	021 704 000	Nut	8	
17	031 104 000	Washer	8	
18	032 005 000	Spring Washer	2	
19	021 705 000	Nut	2	
20	031 105 000	Washer	2	
21	116 845 131	Front Bumper	1	
22	126 891 010	Bracket (Base)	1	
23	118 670 030	Bracket (Back-up Lamp	1	
24	116 846 011	Ornament (Rear Bumper)	2	
25	116 846 021	Holder (Ornament - Rear)	2	
26	116 846 100	Rear Bumper	1	
27	031 104 000	Washer	8	
28	021 704 000	Nut	8	
29	019 006 220	Bolt	4	

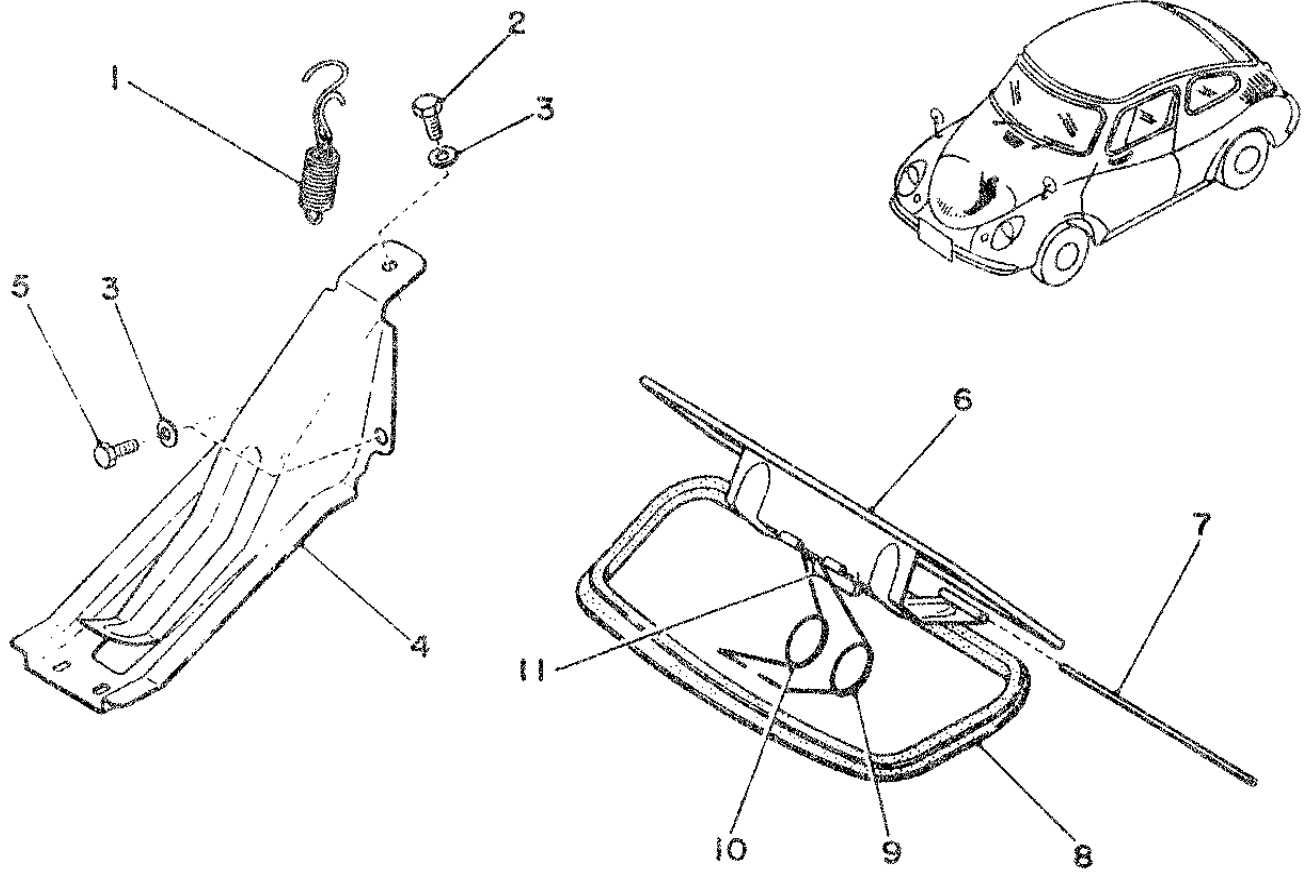
SIDE WINDOW



SIDE WINDOW

Item	Part Number	Nomenclature	Q'ty Req	Remarks
1	116 440 010	Side Window (Right)	1	Includes 8 - 11
2	116 440 020	Side Window (Left)	1	
3	116 435 040	Pin (Side Window Lock)	2	
4	116 478 004	Lock (Side Window - Right)	1	
5	116 479 004	Lock (Side Window - Left)	1	
6	046 004 120	Tapping Screw	4	
7	034 004 000	Lock Washer	4	
8	116 436 075	Weather Strip (Glass - Right)	1	
9	116 436 085	Weather Strip (Glass - Left)	1	
10	116 439 030	Glass (Side Window)	2	
11	043 103 050	Screw	4	
12	116 484 023	Weather Strip (Side Window - Left)	1	
13	903 110 001	Washer (4.5)	6	
14	045 504 081	Screw (4 x 6)	6	
15	116 484 013	Weather Strip (Side Window - Right)	1	

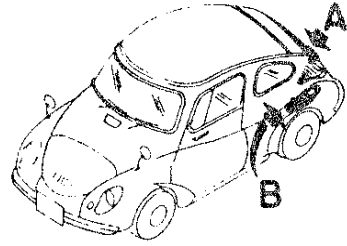
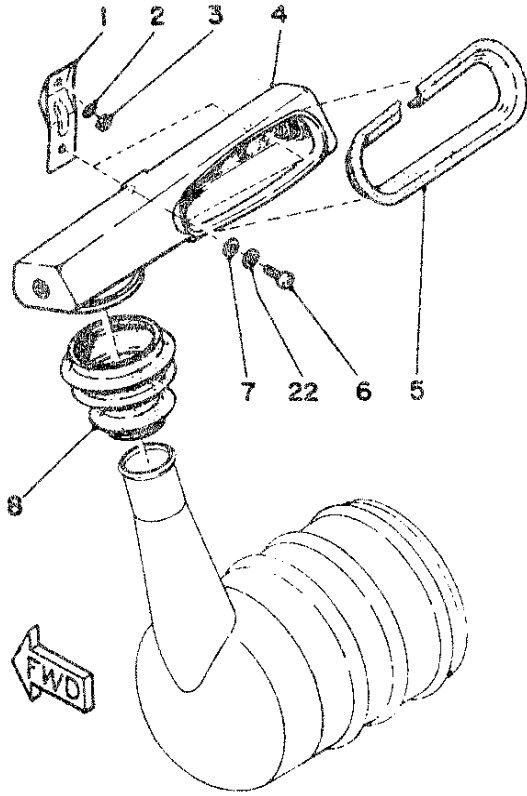
SPARE TIRE MOUNTING & VENTILATOR



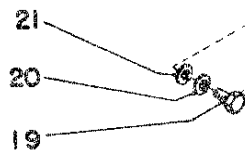
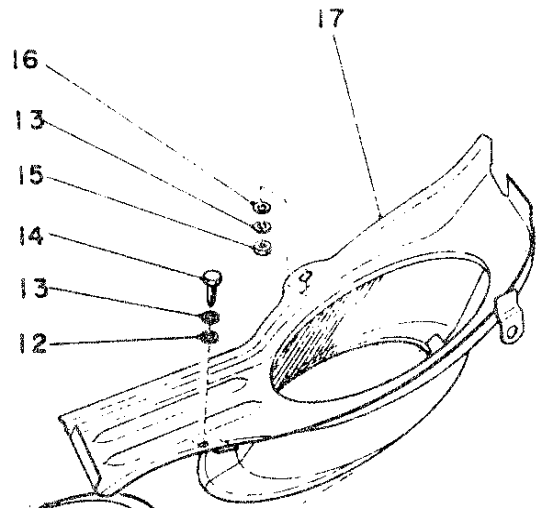
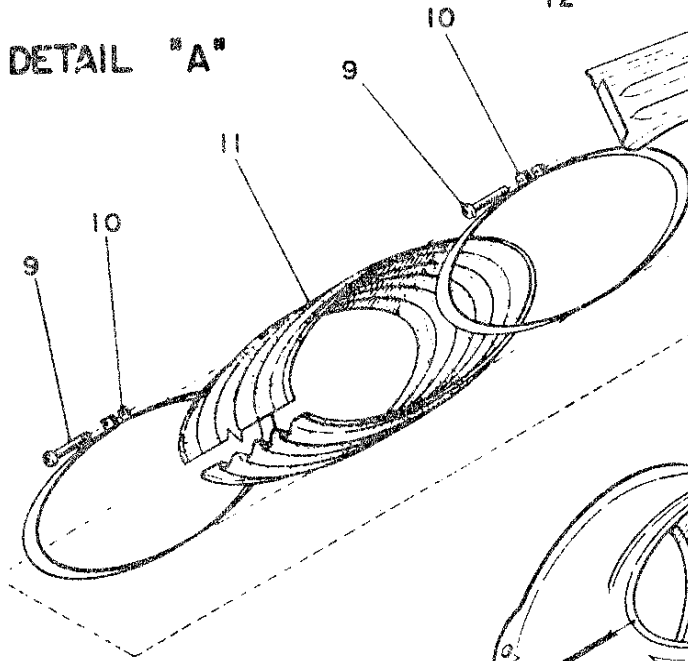
SPARE TIRE MOUNTING & VENTILATOR

Item	Part Number	Nomenclature	Q'ty Req	Remarks
1	117 136 001	Spring (Spare Tire)	1	
2	016 506 140	Bolt	1	
3	032 006 000	Spring Washer	3	
4	147 135 010	Bracket (Spare Tire Support)	1	
5	019 006 200	Bolt	2	
6	117 372 001	Cowl Ventilator	1	
7	117 370 031	Pin (Cowl Ventilator)	1	
8	117 370 042	Weather Strip (Cowl Ventilator)	1	
9	117 370 020	Spring (Cowl Ventilator - Left)	1	
10	117 370 010	Spring (Cowl Ventilator - Right)	1	
11	117 372 050	Know (Cowl Ventilator)	1	

AIR DUCT



DETAIL "A"

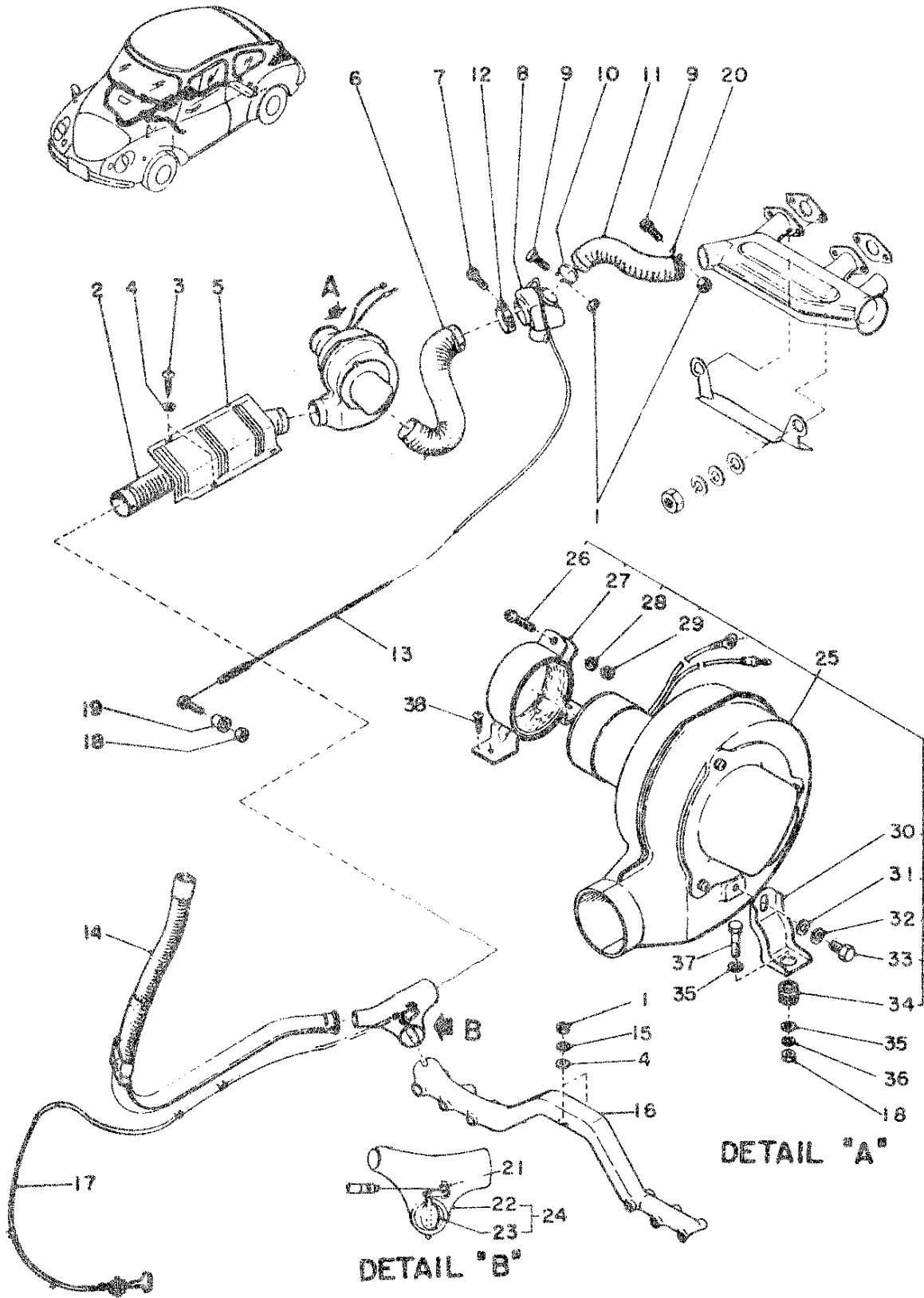


DETAIL "B"

AIR DUCT

Item	Part Number	Nomenclature	Q'ty Req	Remarks
1	117 350 030	Bracket (Chamber)	2	
2	032 006 000	Spring Washer	2	
3	021 706 000	Nut	2	
4	117 350 011	Chamber (Air Intake)	1	
5	117 350 051	Weather Strip (Chamber)	1	
6	043 105 140	Screw	2	
7	031 205 001	Washer	2	
8	117 350 041	Boot (Air Intake)	1	
9	043 104 350	Screw	2	
10	645 002 060	Band (Boot)	2	
11	117 321 011	Boot (Duct)	1	
12	031 105 000	Washer	2	
13	032 005 000	Spring Washer	3	
14	901 900 002	Bolt	2	
15	021 705 000	Nut	1	
16	031 205 000	Washer	1	
17	117 326 003	Duct (Upper)	1	
18	117 327 002	Duct (Lower)	1	
19	019 006 160	Bolt	3	
20	032 006 000	Spring Washer	3	
21	031 106 000	Washer	3	
22	032 005 000	Spring Washer	2	

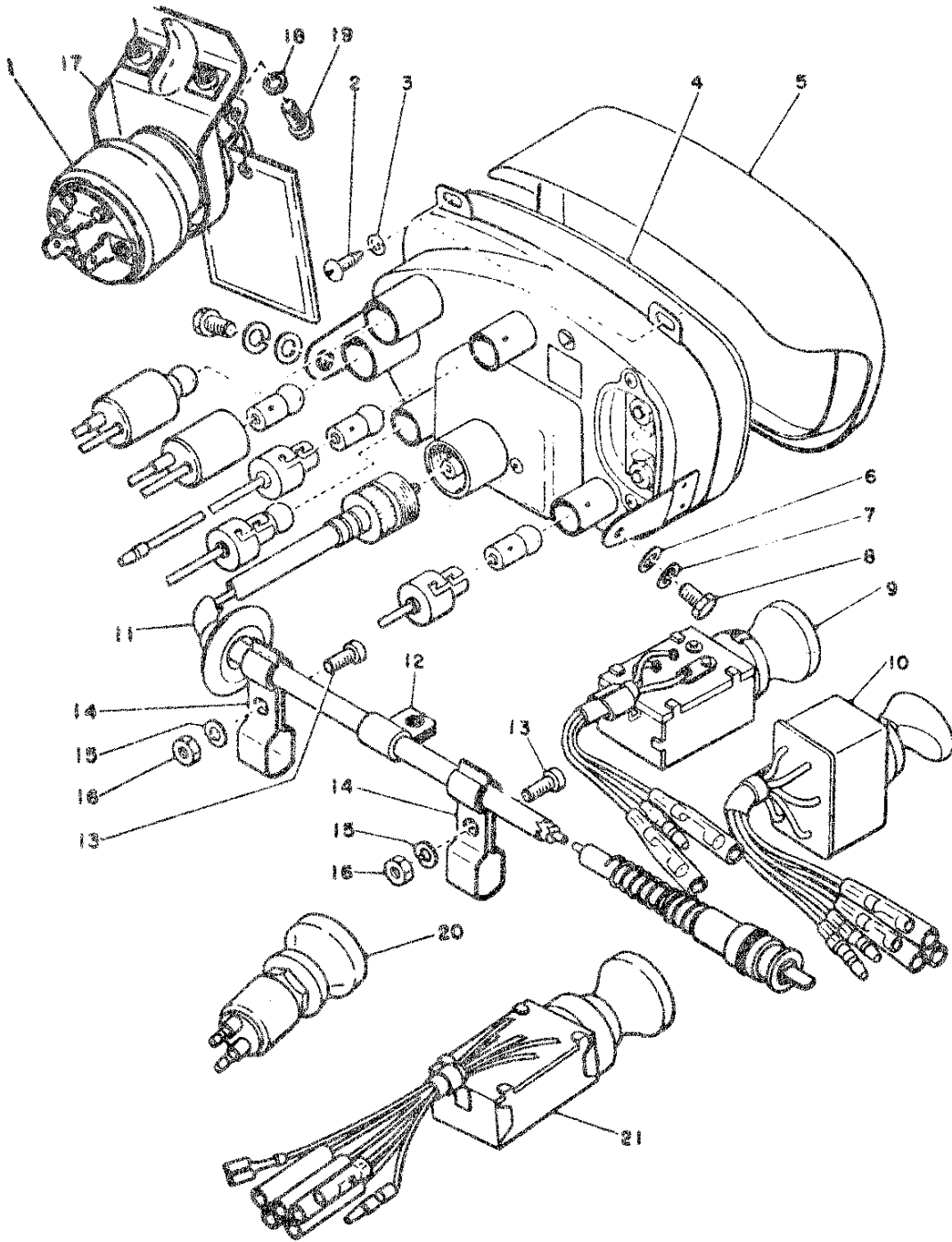
HEATER & DEFROSTER



HEATER & DEFROSTER

Item	Part Number	Nomenclature	Q'ty Req	Remarks
1	021 704 000	Nut	4	
2	117 680 391	Hose (Heater)	1	
3	045 004 120	Tapping Screw	2	
4	031 004 000	Washer	5	
5	117 651 055	Cover (Hose)	1	
6	117 680 402	Hose (Heater)	1	
7	016 506 200	Bolt	1	
8	117 680 202	Heater Valve	1	
9	043 104 350	Screw	2	
10	909 150 001	Clip	1	
11	117 680 130	Hose	1	
12	117 632 070	Clip Band	1	
13	117 640 012	Heater Cable	1	
14	117 651 120	Hose (Defroster)	1	
15	032 004 000	Spring Washer	2	
16	117 651 011	Heater Duct	1	
17	117 665 030	Cable (Defrost Valve)	1	
18	021 705 000	Nut	2	
19	114 541 100	Spacer	1	
20	091 553 000	Clip	1	
21	051 016 100	Cotter Pin	1	
22	117 680 033	Joint (Heater)	1	
23	117 665 020	Lever	1	
24	117 665 010	Joint Assembly	1	
25	117 680 481	Fan	1	
26	043 105 250	Screw	1	
27	117 680 520	Clamp (Fan)	1	
28	032 005 000	Spring Washer	1	
29	021 705 000	Nut	1	
30	117 680 510	Bracket (Fan)	1	
31	031 006 000	Washer	1	
32	032 006 000	Spring Washer	1	
33	016 506 080	Bolt	1	
34	117 680 460	Cushion Rubber (Fan)	1	
35	031 205 001	Washer	2	
36	032 005 000	Spring Washer	1	
37	016 505 200	Bolt	1	
38	045 005 120	Screw	2	

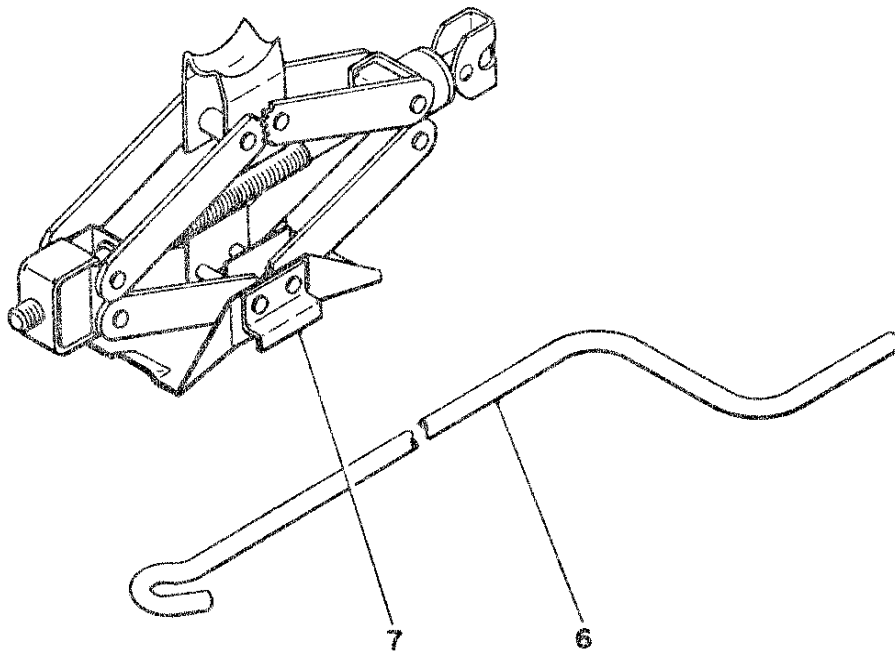
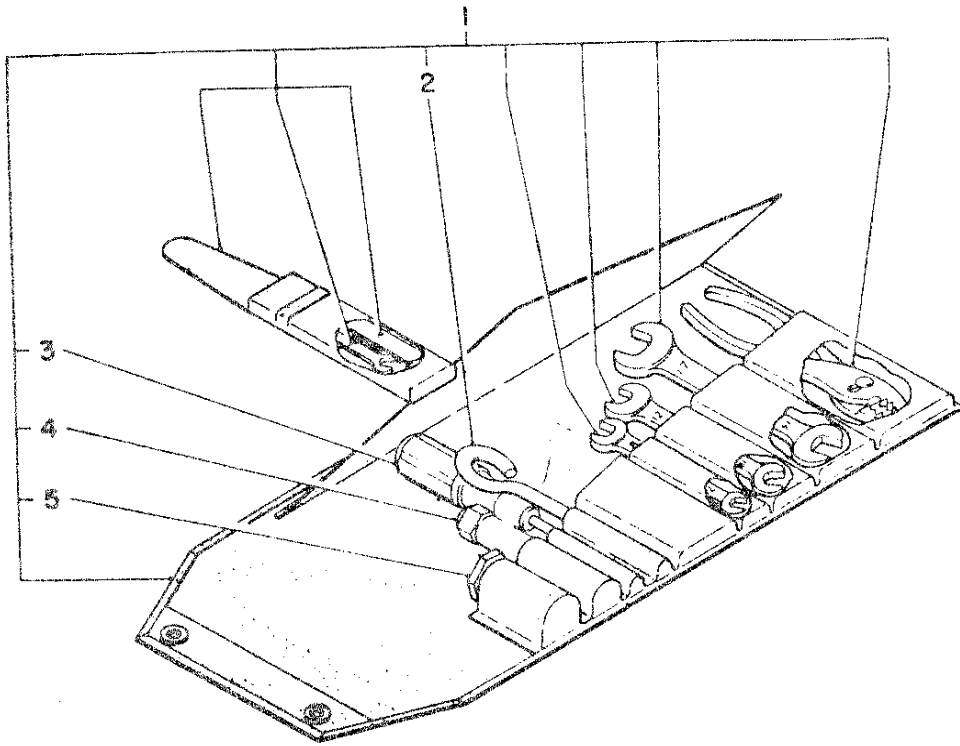
COMBINATION METER & SWITCH GROUP



COMBINATION METER & SWITCH GROUP

Item	Part Number	Nomenclature	Q'ty Req	Remarks
1	682 190 030	Ignition Starter Switch	1	
2	045 004 120	Tapping Screw	3	
3	031 004 000	Washer	3	
4	127 786 000	Combination Meter	1	MPH
5	115 410 126	Visor (Speedometer)	1	
6	031 106 000	Washer	2	
7	032 006 000	Spring Washer	2	
8	016 506 101	Bolt	2	
9	148 453 005	Wiper Switch	1	
10	148 452 020	Lightning Switch	1	
11	127 773 010	Speedometer Cable	1	Includes 20
12	514 350 020	Clip	1	
13	043 105 120	Screw	2	
14	143 560 071	Clamp (Speedometer Cable)	2	
15	032 005 000	Spring Washer	2	
16	021 705 000	Nut	2	
17	125 412 151	Bracket	1	
18	032 005 000	Spring Washer	2	
19	043 105 100	Screw	2	
20	118 450 012	Heater Switch	1	
21	118 445 110	Hazard Switch	1	
4	127 786 000	Combination Meter	1	MPH
	117 781 022	Fuel Meter	1	
	117 783 031	Cord (Oil Charge, Fuel)	1	
	514 360 021	Cord (Illumination)	1	
	514 360 031	Cord (Main Beam)	1	
	117 783 020	Cord (Flasher)	1	Left
	117 772 060	Bulb	6	
	117 772 090	Cord (Flasher)	1	Right

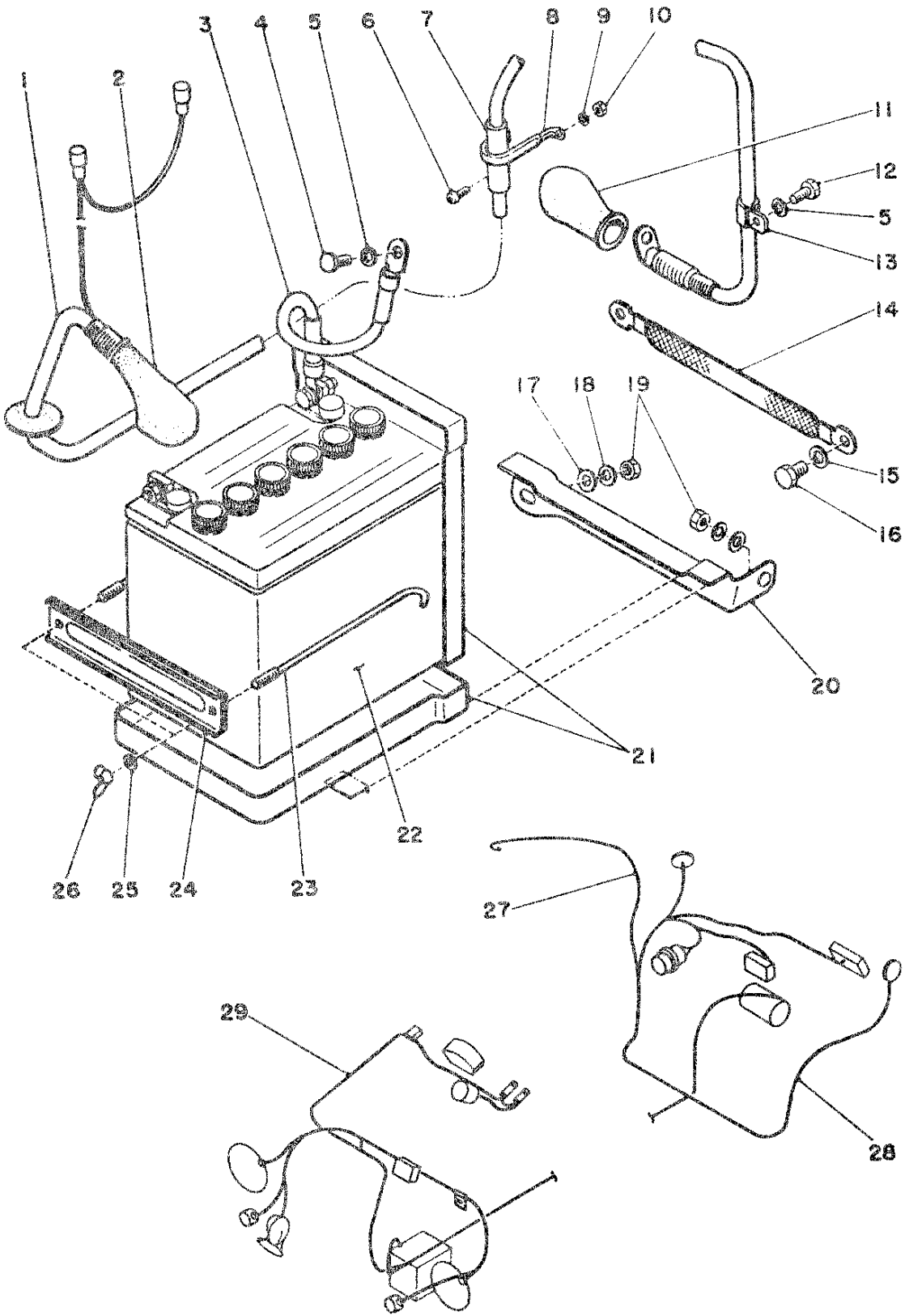
TOOL KIT



TOOL KIT

Item	Part Number	Nomenclature	Q'ty Req	Remarks
1	694 001 070	Tool Kit (old Part No 117 810 008)	1	Includes 2-5
2	909 720 002	Minus Driver	1	
3	909 710 001	Plus Driver	1	
4	117 810 083	Wheel Nut Wrench	1	
5	117 810 073	Plug Wrench	1	
6	117 823 000	Jack Handle	1	
7	117 820 003	Jack	1	

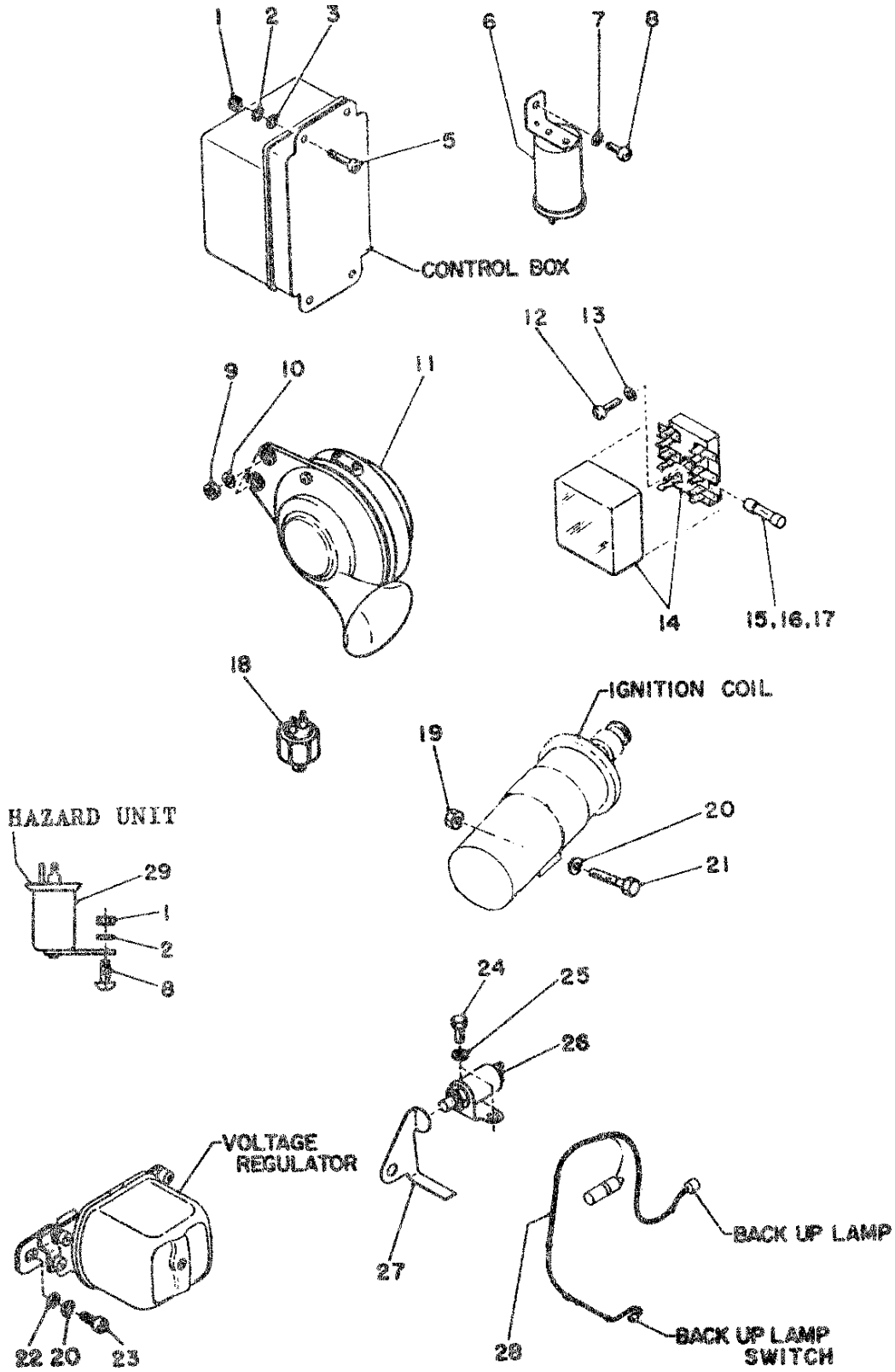
BATTERY EQUIPMENT & WIRING HARNESS



BATTERY EQUIPMENT & WIRING HARNESS

Item	Part Number	Nomenclature	Q'ty Req	Remarks
1	118 204 043	Battery Cable	1	
2	118 206 010	Rubber Cap (Battery)	1	
3	128 204 011	Earth Cable (Battery)	1	
4	016 506 140	Bolt	1	
5	032 006 000	Spring Washer	2	
6	043 104 120	Screw	1	
8	148 240 020	Hanger (Battery Cable)	1	
9	032 004 000	Spring Washer	1	
10	021 704 000	Nut	1	
11	118 204 051	Rubber Cap (Starter Terminal)	1	
12	016 006 140	Bolt	1	
13	118 201 092	Clip (Battery Cable)	2	
14	681 102 051	Earth Band (Engine)	1	
15	032 008 000	Spring Washer	1	
16	016 008 140	Bolt	1	
17	031 106 000	Washer	2	
18	032 006 000	Spring Washer	2	
19	021 706 000	Nut	2	
20	128 422 020	Stay (Battery Support)	1	
21	118 425 021	Pan (Battery Support)	2	
22	681 310 042	Battery	1	12V - 26 AH
23	118 425 043	Rod (Battery Support)	2	
24	118 424 010	Channel (Battery Support)	1	
25	032 005 000	Spring Washer	2	
26	515 751 071	Wing Nut	2	
27	148 250 002	Wiring Harness (Room Lamp)	1	
28	118 231 031	Wiring Harness (Rear)	1	
29	118 225 002	Wiring Harness (Front)	1	

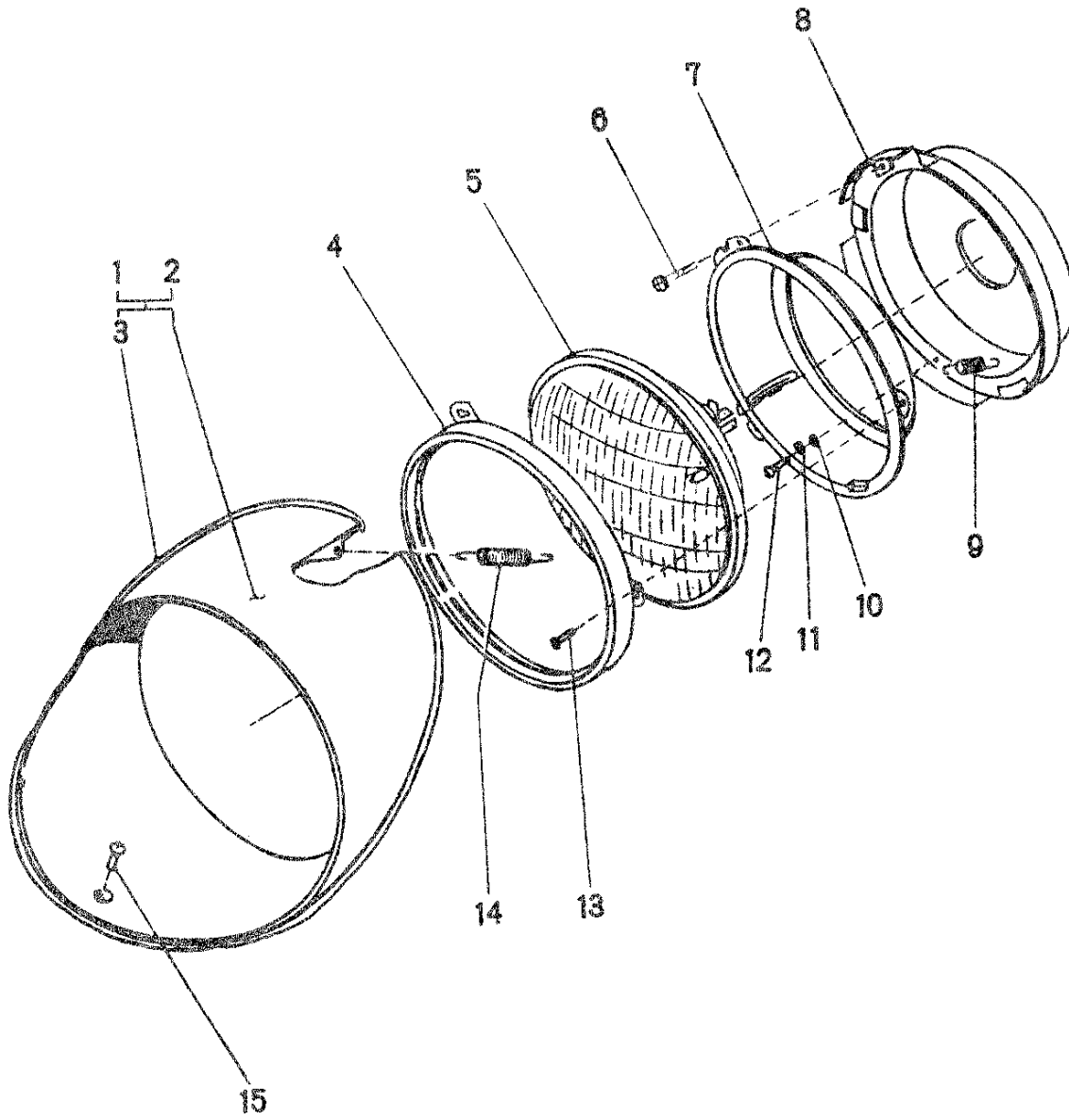
ELECTRICAL EQUIPMENT



ELECTRICAL EQUIPMENT

Item	Part Number	Nomenclature	Q'ty Req	Remarks
1	021 705 000	Nut	4	
2	032 005 000	Spring Washer	4	
3	031 105 000	Washer	4	
5	043 105 160	Screw	4	
6	118 636 010	Turn Signal Unit	1	
7	032 005 000	Spring Washer	1	
8	043 105 120	Screw	1	
9	021 706 000	Nut	4	
10	032 006 000	Spring Washer	4	
11	118 443 012	Horn (High)	1	
	118 443 022	Horn (Low)	1	
12	043 105 160	Screw	1	
13	032 005 000	Spring Washer	1	
14	518 441 010	Fuse Box	1	
15	118 466 010	Fuse Tube (25A)	1	
16	080 215 300	Fuse Tube (15A)	1	
17	080 220 300	Fuse Tube (20A)	1	
18	118 100 040	Stop Lamp Switch	1	
19	021 706 000	Nut	1	
20	032 006 000	Spring Washer	1	
21	016 506 301	Bolt	3	
22	031 106 000	Washer	1	
23	043 106 140	Screw	2	
24	016 506 120	Bolt	2	
25	032 006 000	Spring Washer	2	
26	682 145 061	Back-up Lamp Switch	2	
27	118 444 012	Lever (Back-up Lamp Switch)	1	
28	118 670 060	Cord (Back-up Lamp)	1	
29	683 220 000	Hazard Unit	1	

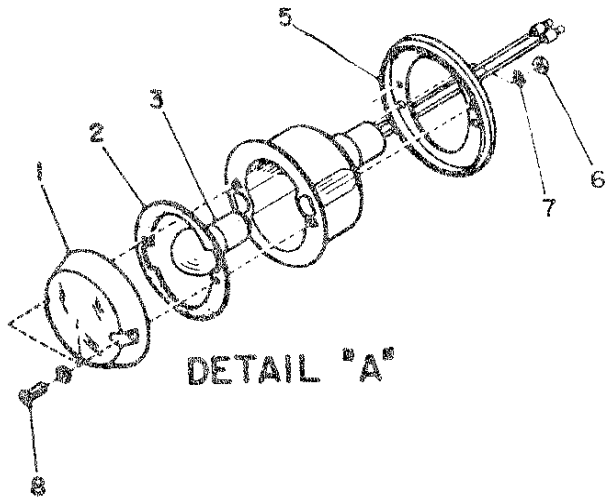
HEADLAMP ASSEMBLY



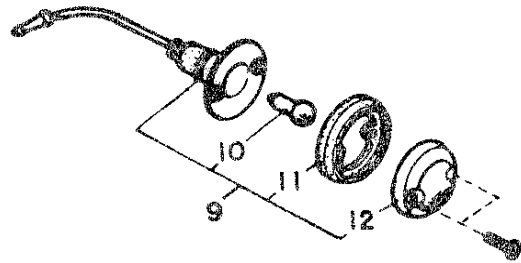
HEADLAMP ASSEMBLY

Item	Part Number	Nomenclature	Q'ty Req	Remarks
1	118 603 100	Ring Assy (Head Lamp - RH)	1	
2	118 603 200	Ring Assy (Head Lamp - LH)	1	
3	118 603 011	Packing	2	
	118 619 000	Head Lamp Assy	2	
4	118 619 050	Retaining Ring Assy	2	Consists of 4 - 9, 13
5	128 613 060	Sealed Beam Unit	2	
6	118 619 030	Adjust Screw (Head Lamp)	4	
7	118 619 020	Mounting Ring	2	
8	118 619 010	Housing Assy	2	
9	118 619 040	Extension Spring	2	
10	031 005 000	Washer	8	
11	032 005 000	Spring Washer	8	
12	043 105 140	Screw (Pan Head)	8	
13	043 103 080	Screw (Pan Head)	6	
14	118 616 010	Spring (Head Lamp Ring)	2	
15	046 005 120	Tapping Screw (Oval Head)	2	

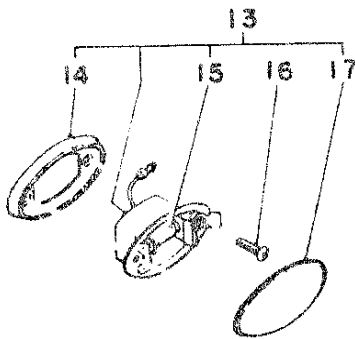
LAMPS I



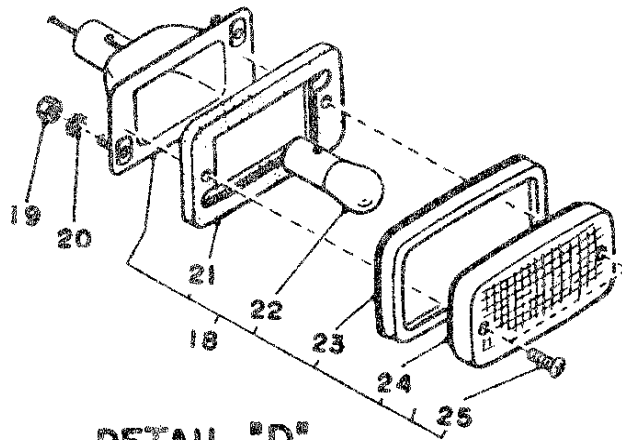
DETAIL "A"



DETAIL "B"



DETAIL "C"

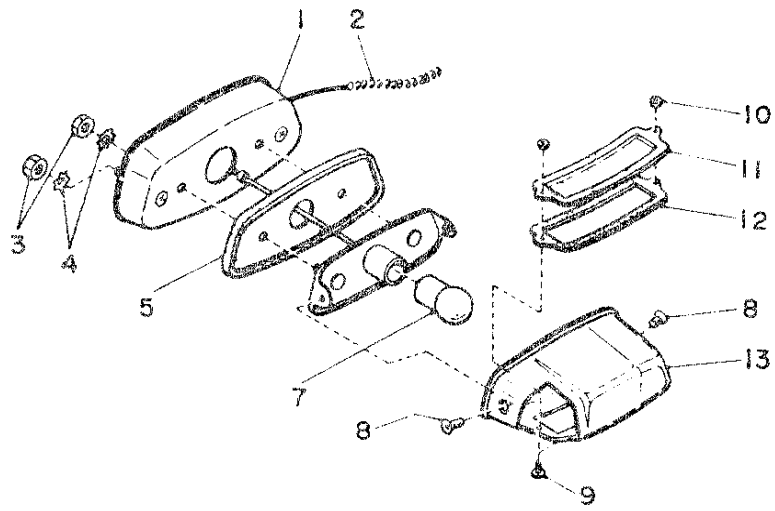


DETAIL "D"

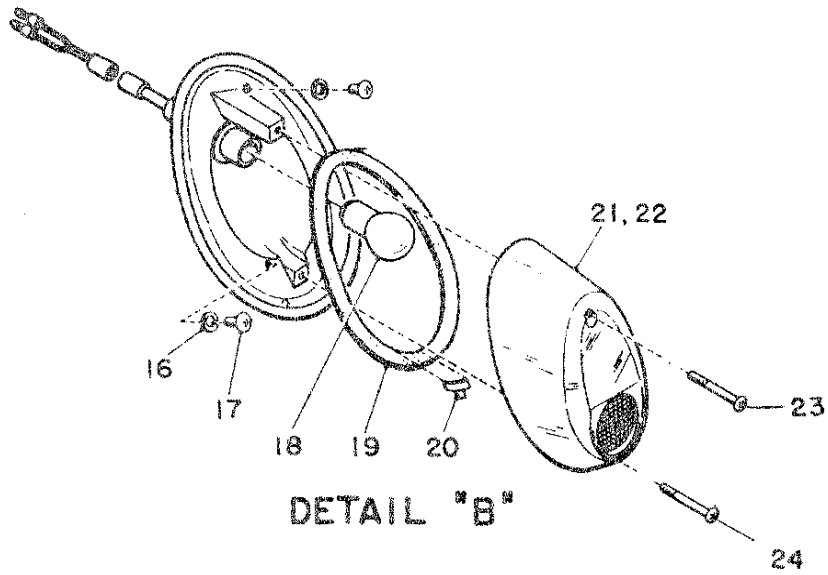
LAMPS I

Item	Part Number	Nomenclature	Q'ty Req	Remarks
	118 691 001	Front Combination Lamp	2	Consists of 1 - 5, 8
1	118 691 010	Lens (Front Combination Lamp)	2	
2	118 626 020	Packing (Front Combination Lamp)	2	
3	684 102 010	Bulb	2	
5	118 626 010	Ring (Front Combination Lamp)	2	
6	021 704 000	Nut	4	
7	033 004 000	Lock Washer	4	
8	904 310 013	Screw (Front Combination Lamp)	4	
9	118 570 010	Side Flasher Lamp	2	
10	118 570 020	Bulb	2	
11	118 628 030	Packing (Side Flasher Lamp)	2	
12	118 628 020	Lens (Side Flasher Lamp)	2	
13	684 125 071	Room Lamp	1	Includes 14 - 17
14	684 114 030	Base (Room Lamp)	1	
15	684 102 090	Bulb (Room Lamp)	1	
16	045 503 140	Tapping Screw	2	
17	684 108 010	Globe (Room Lamp)	1	
18	118 673 002	Back-up Lamp	1	Includes 19 - 25
19	021 705 000	Nut	2	
20	033 006 000	Lock Washer	2	
21	118 673 150	Packing (Back-up Lamp)	1	
22	118 673 120	Bulb (Back-up Lamp)	1	
23	118 673 160	Ring (Back-up Lamp)	1	
24	118 673 140	Lens (Back-up Lamp)	1	
25	904 310 022	Screw	2	

LAMPS II



DETAIL "A"

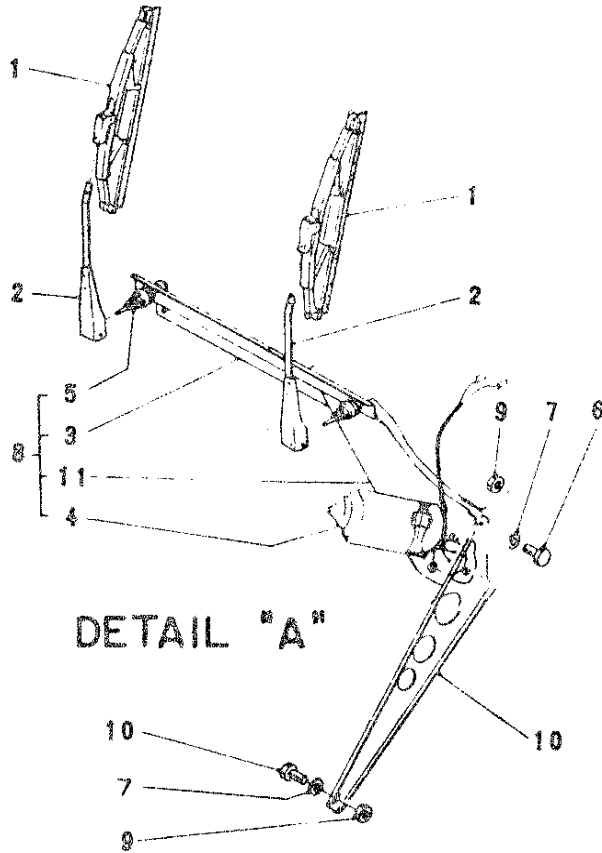


DETAIL "B"

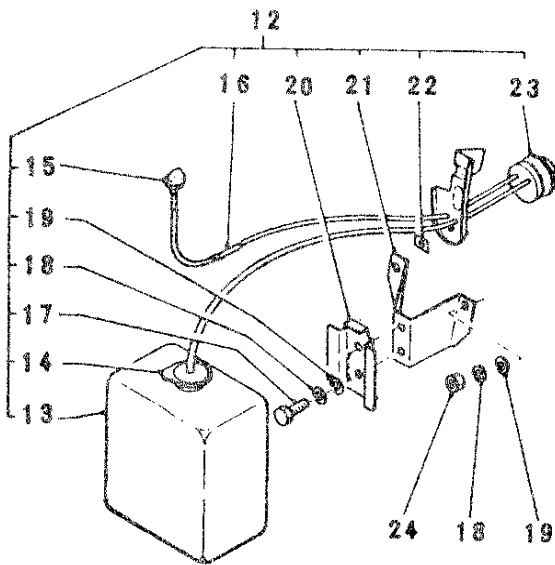
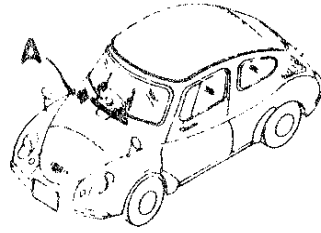
LAMPS II

Item	Part Number	Nomenclature	Q'ty Req	Remarks
	118 643 000	License Plate Lamp	1	Consists of 5 - 13
1	118 644 010	Base (License Plate Lamp)	1	
2	118 231 021	Spring (License Plate Lamp Cord)	1	
3	021 705 000	Nut	4	
4	033 005 000	Lock Washer	4	
5	118 643 040	Base (License Plate Lamp)	1	
7	118 641 060	Bulb	1	
8	904 210 009	Screw	2	
9	904 310 016	Screw	2	
10	021 703 000	Nut	2	
11	118 643 020	Lens (License Plate Lamp)	1	
12	118 643 050	Packing (License Plate Lamp)	1	
13	118 643 010	Globe (License Plate Lamp)	1	
	118 646 000	Rear Combination Lamp (Right)	1	Consists of 14, 18 - 21, 23, 24
	118 647 000	Rear Combination Lamp (Left)	1	Consists of 15, 18 - 20, 22 - 24
16	032 004 000	Spring Washer	4	
17	043 104 000	Screw	4	
18	684 102 010	Bulb	2	
19	118 632 030	Packing (Rear Combination Lamp)	2	
20	118 632 050	Filter (Rear Combination Lamp)	2	
21	118 632 010	Lens (Rear Combination Lamp - Right)	1	
22	118 633 010	Lens (Rear Combination Lamp - Left)	1	
23	904 310 010	Screw (Rear Combination Lamp)	2	
24	904 310 011	Screw (Rear Combination Lamp)	2	

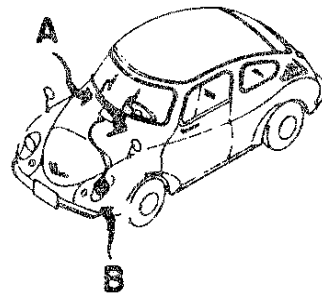
WINDSHIELD & WIPER



DETAIL "A"



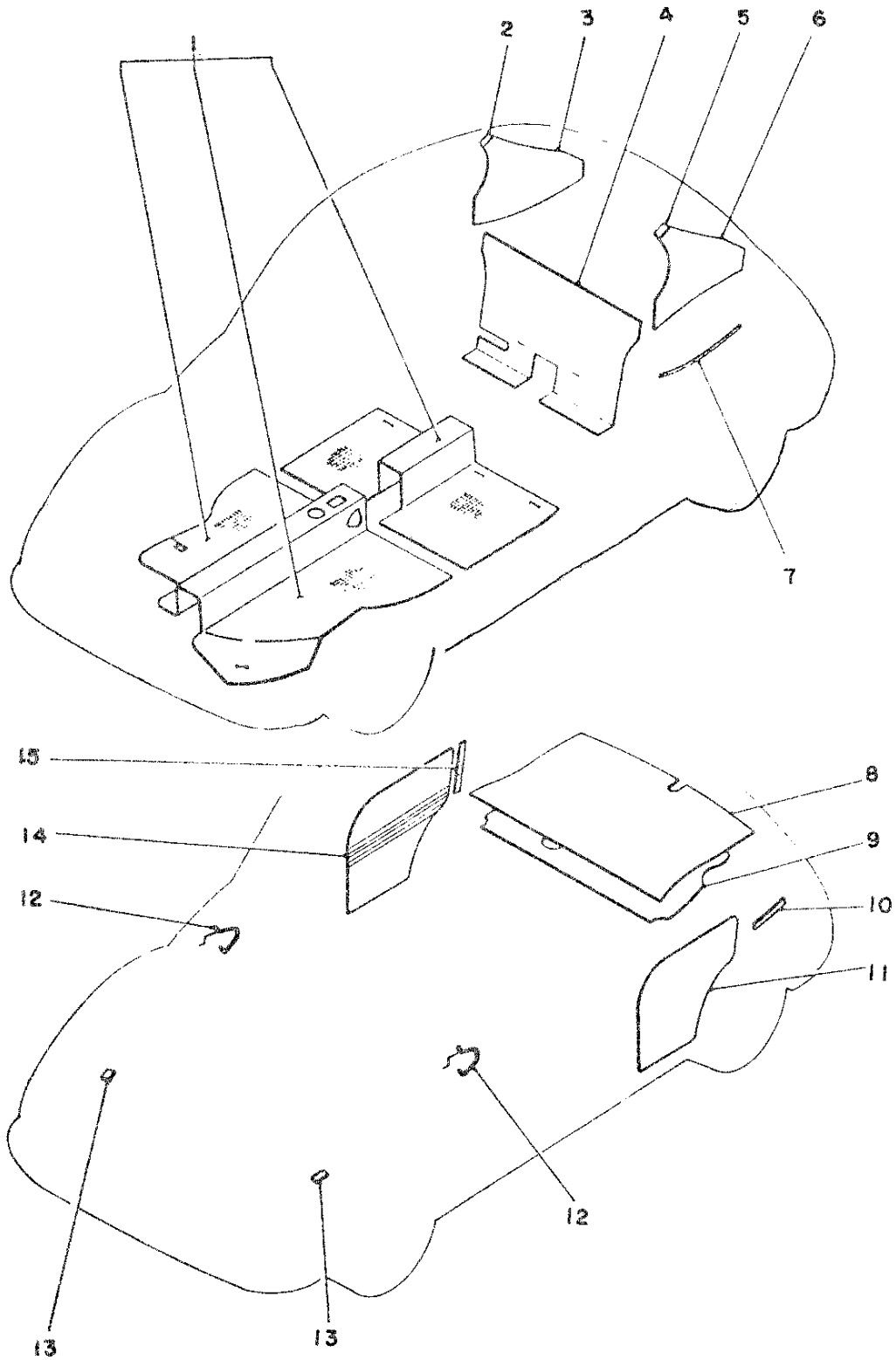
DETAIL "B"



WINDSHIELD & WIPER

Item	Part Number	Nomenclature	Q'ty Req	Remarks
1	118 830 130	Blade (Wiper)	2	
2	118 830 112	Arm (Wiper)	2	
3	128 860 001	Link Frame (Wiper)	1	
4	128 834 003	Wiper Motor	1	
5	118 837 010	Cap (Wiper)	1	
6	016 505 100	Bolt	3	
7	032 005 000	Spring Washer	3	
8	128 831 004	Link System Assy	1	Consists of 3 - 5, 11
9	021 705 000	Nut	3	
10	128 830 100	Stay (Wiper Frame)	1	
11	128 835 002	Fram (Wiper)	1	
12	118 855 000	Windshield Washer	1	Consists of 13 - 24
13	118 851 012	Tank Complete	1	
14	686 213 020	Tank Cap	1	
15	686 214 080	Nozzle Complete	1	
16	686 206 000	Valve	1	
17	016 506 160	Bolt	1	
18	032 006 000	Spring Washer	1	
19	031 006 000	Washer	1	
20	118 851 024	Bracket	1	
21	118 851 041	Bracket	1	
22	686 225 000	Speed Nut	1	
23	686 218 031	Pump	1	
24	021 706 000	Nut	1	

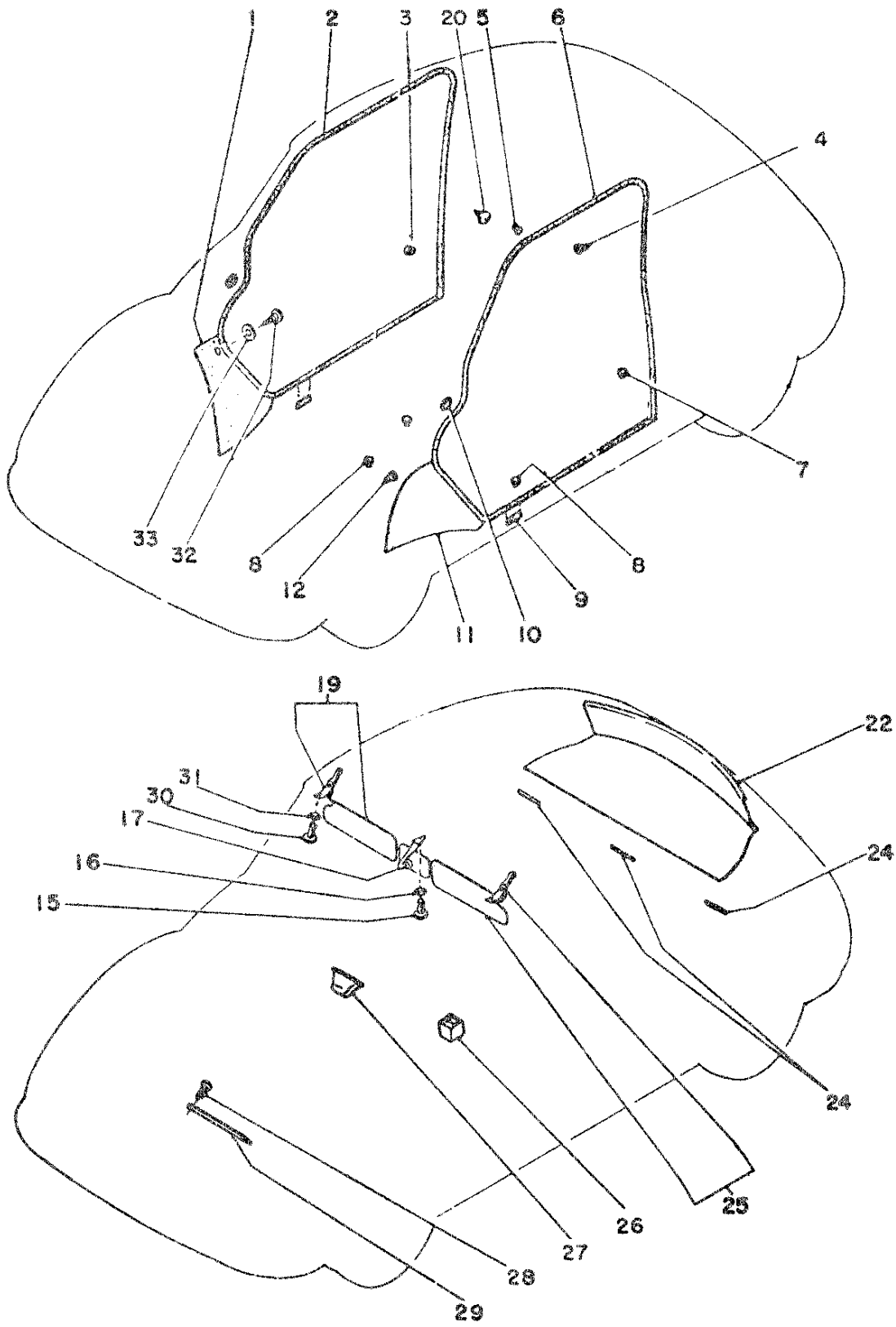
INNER TRIMMING & MAT SET



INNER TRIMMING & MAT SET

Item	Part Number	Nomenclature	Q'ty Req	Remarks
1	129 166 021	Mat Set	1	
2	119 165 082	Trimming (Rear Quarter - Right)	1	
3	119 165 063	Trimming (Rear Shelf - Right)	1	
4	119 165 410	Insulator Complete (Rear Bulk Head)	2	
5	119 165 092	Trimming (Rear Quarter - Left)	1	
6	119 165 073	Trimming (Rear Shelf - Left)	1	
7	119 160 230	Molt Plain (Tire Apron)	1	
8	119 160 330	Trimming (Fuel Tank - Upper)	1	
9	119 165 241	Floor Silencer (Rear Shelf)	1	
10	119 160 240	Molt Plain (Fender Apron)	2	
11	119 169 024	Trim Board (Rear Quarter Pane - Left)	1	
12	119 150 011	Vinyl Moulding (Instrument Panel)	2	Select one
	119 150 030	Vinyl Moulding (Instrument Panel)	2	
13	119 160 280	Molt Plain (Cowl Panel)	2	
14	119 169 014	Trim Board (Rear Quarter Pane - Right)	1	
15	119 160 250	Molt Plain (Rear Fender)	2	

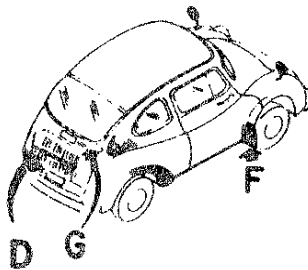
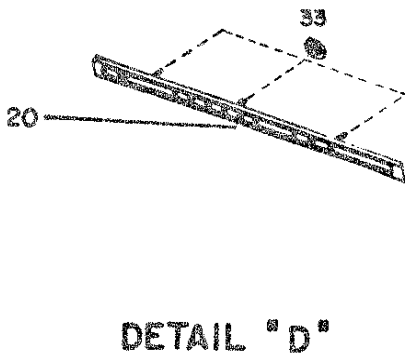
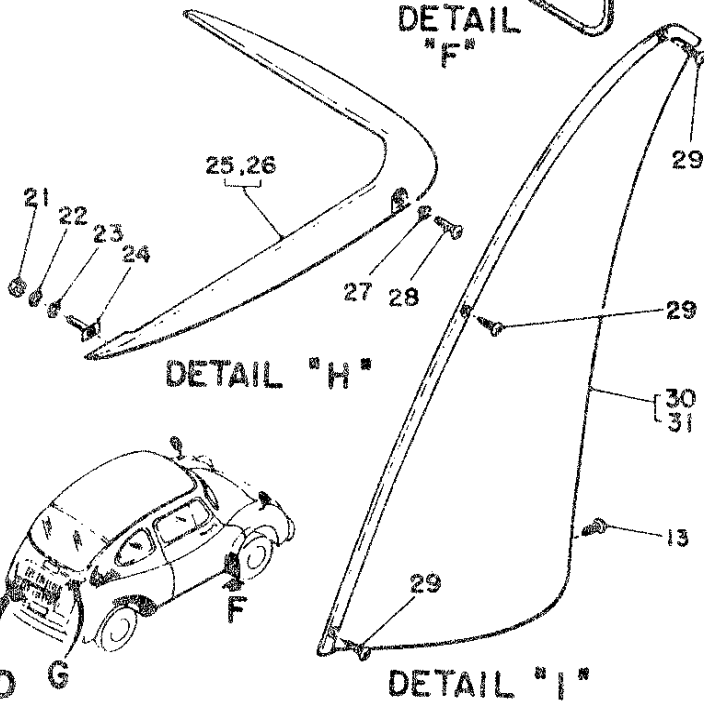
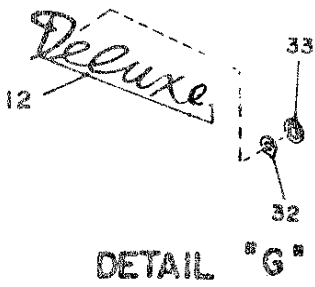
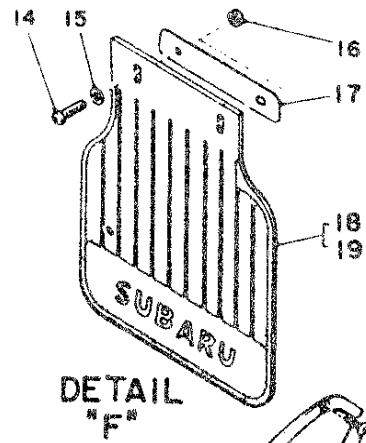
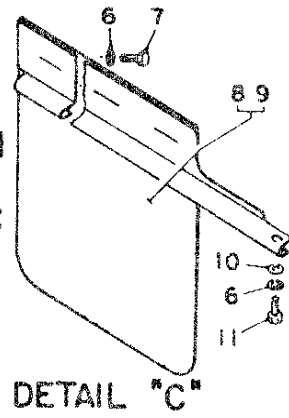
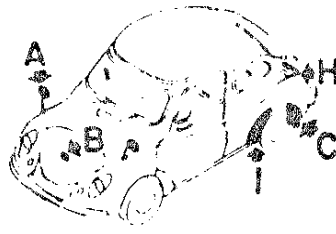
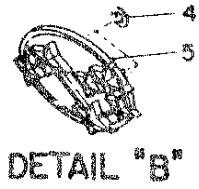
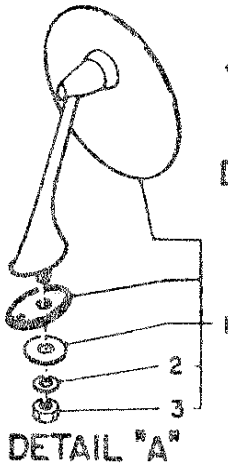
BODY ACCESSORIES (INNER)



BODY ACCESSORIES (INNER)

Item	Part Number	Nomenclature	Q'ty Req	Remarks
1	119 165 166	Rug (Front Tire Apron - Right)	1	
2	119 110 012	Weather Strip (Door - Right)	1	
3	690 302 080	Plug	1	
4	690 302 030	Plug (Safety Belt)	10	
5	119 165 210	Plug	1	
6	119 110 022	Weather Strip (Door - Left)	1	
7	690 302 000	Plug	4	
8	119 160 090	Plug (Drain)	16	
9	119 160 341	Stopper (Door)	2	
10	119 110 040	Plug (Front Pillar)	2	
11	119 165 176	Rug (Front Tire Apron - Left)	1	
12	119 160 320	Plug (Mud Guard)	2	
15	691 023 000	Screw	1	
16	034 006 000	Lock Washer	1	
17	119 201 005	Back Mirror	1	
19	119 207 104	Sun Visor Assy (Right)	1	
20	690 302 030	Plug (Safety Belt)	10	
22	119 165 271	Cover (Fuel Tank)	1	
24	119 160 310	Strip (Rear Shelf)	3	
25	119 208 104	Sun Visor Assy (Left)	1	
26	119 241 002	Ash Tray (Rear)	1	
27	119 321 004	Ash Tray (Front)	1	
28	045 004 160	Tapping Screw	2	
29	129 140 033	Kick Board	1	
30	046 004 230	Screw (Tapping)	4	
31	034 004 000	Lock Washer	4	
32	046 004 120	Screw (Tapping)	2	
33	035 104 000	Rosette	2	

BODY ACCESSORIES (OUTER)



BODY ACCESSORIES (OUTER)

Item	Part Number	Nomenclature	Q'ty Req	Remarks
1	119 209 101	Fender Mirror	2	Includes 2 - 3
2	032 008 000	Spring Washer	2	
3	021 708 000	Nut	2	
4	022 541 240	Speed Nut	10	
5	119 250 060	Top Ornament	1	
6	032 005 000	Spring Washer	4	
7	901 910 002	Bolt	2	
8	119 272 103	Splash Board (Rear Right)	1	
9	119 273 103	Splash Board (Rear Left)	1	
10	031 005 000	Washer	2	
11	016 505 120	Bolt	2	
12	119 425 043	Rear Mark (Deluxe)	1	
13	045 503 060	Tapping Screw	2	
14	016 505 100	Bolt	4	
15	031 005 000	Washer	4	
16	021 705 000	Nut	4	
17	119 262 020	Plate (Splash Board)	2	
18	119 262 120	Splash Board (Front Right)	1	
19	119 262 130	Splash Board (Front Left)	1	
20	119 250 550	Rear Mark (Engine Hood)	1	
21	021 704 000	Nut	4	
22	032 004 000	Spring Washer	4	
23	031 104 000	Washer	4	
24	119 429 120	Screw (Ornament)	4	
25	119 429 011	Ornament (Rear Quarter - Right)	1	
26	119 429 021	Ornament (Rear Quarter - Left)	1	
27	903 400 001	Lock Washer	2	
28	042 104 161	Screw (4 x 16)	2	
29	904 600 001	Tapping Screw (3 x 6)	6	
30	119 425 011	Side Ornament (Right)	1	
31	119 425 021	Side Ornament (Left)	1	
32	516 803 020	Rubber Washer	2	
33	022 531 240	Speed Nut	5	

BLANK PAGE

Cross-Reference Index

Part Number	Description	Qty	Page	Item
013 106 201	Stud	1	4	49
013 108 281	Stud	1	4	41
013 108 301	Stud	1	3	35
013 108 321	Stud	2	4	65
013 108 351	Stud	4	7	16
013 108 401	Stud	2	7	20
013 206 401	Stud	2	3	38
013 208 350	Stud	8	3	15
015 508 200	Bolt	2	112	47
015 608 303	Bolt (8 x 28)	2	45	30
015 608 602	Bolt (8 x 63)	2	45	28
016 006 140	Bolt	1	133	12
016 008 140	Bolt	1	133	16
016 306 101	Bolt	1	3	36
016 306 101	Bolt	3	19	7
016 306 101	Bolt	1	25	1
016 306 121	Bolt	13	13	3
016 306 161	Bolt	11	3	25
016 306 180	Bolt	3	4	55
016 306 181	Bolt	3	15	27
016 306 181	Bolt	6	38	43
016 306 221	Bolt	6	15	9
016 306 251	Bolt	7	3	1
016 306 251	Bolt	3	15	29
016 306 281	Bolt	12	4	52
016 306 351	Bolt	2	3	34
016 306 401	Bolt	4	3	48
016 504 080	Bolt	1	117	23
016 505 100	Bolt	2	88	2
016 505 100	Bolt	3	143	6
016 505 100	Bolt	4	149	14
016 505 120	Bolt	2	117	18
016 505 120	Bolt	2	149	11
016 505 140	Bolt	1	88	9
016 505 140	Bolt	4	101	21
016 505 160	Bolt	1	69	2
016 505 200	Bolt	1	127	37
016 506 080	Bolt	1	127	33
016 506 101	Bolt	2	73	22
016 506 101	Bolt	2	129	8
016 506 120	Bolt	2	63	9
016 506 120	Bolt	1	73	25
016 506 120	Bolt	3	77	1
016 506 120	Bolt	4	87	26

Cross-Reference Index

Part Number	Description	Qty	Page	Item
016 506 120	Bolt	2	135	24
016 506 140	Bolt	4	119	6
016 506 140	Bolt	1	123	2
016 506 140	Bolt	1	133	4
016 506 160	Bolt	1	79	16
016 506 160	Bolt	2	117	27
016 506 160	Bolt	1	143	17
016 506 161	Bolt	1	73	1
016 506 180	Bolt	6	119	2
016 506 200	Bolt	1	127	7
016 506 250	Bolt	2	69	13
016 506 301	Bolt	3	135	21
016 506 350	Bolt	2	77	10
016 506 500	Bolt	1	83	6
016 508 500	Bolt	2	81	8
016 508 505	Bolt	1	69	15
016 508 754	Bolt	2	87	16
016 508 800	Bolt	2	81	1
016 508 950	Bolt	2	87	15
016 510 220	Bolt	2	87	23
016 606 160	Bolt	4	111	26
016 606 280	Bolt	1	73	4
016 608 200	Bolt	5	3	18
016 608 200	Bolt	2	25	4
016 608 200	Bolt	2	29	18
016 608 200	Bolt	3	111	33
016 608 282	Bolt	6	59	26
016 608 300	Bolt	4	7	37
016 608 400	Bolt	4	81	7
016 610 200	Bolt	2	81	18
019 006 120	Bolt	1	69	7
019 006 160	Bolt (Cone Point)	3	79	1
019 006 160	Bolt	3	125	19
019 006 180	Bolt	1	75	13
019 006 180	Bolt	2	87	14
019 006 200	Bolt	2	123	5
019 006 220	Bolt	4	119	29
019 006 250	Bolt	4	77	8
019 006 250	Bolt	2	115	1
019 008 750	Bolt	2	69	22
019 108 200	Bolt (8 x 16)	2	61	10
021 703 000	Nut	2	141	10
021 704 000	Nut	1	85	8
021 704 000	Nut	3	91	3

Cross-Reference Index

Part Number	Description	Qty	Page	Item
021 704 000	Nut	2	95	8
021 704 000	Nut	8	119	16
021 704 000	Nut	8	119	28
021 704 000	Nut	4	127	1
021 704 000	Nut	1	133	10
021 704 000	Nut	4	139	6
021 704 000	Nut	4	149	21
021 704 200	Nut	1	85	19
021 705 000	Nut	2	61	13
021 705 000	Lock Nut	1	69	14
021 705 000	Nut	3	79	14
021 705 000	Nut	2	87	9
021 705 000	Nut	2	87	29
021 705 000	Nut	8	91	12
021 705 000	Nut	2	91	17
021 705 000	Nut	4	101	28
021 705 000	Nut	6	105	4
021 705 000	Nut	2	109	19
021 705 000	Nut	1	117	6
021 705 000	Nut	2	117	8
021 705 000	Nut	2	119	19
021 705 000	Nut	1	125	15
021 705 000	Nut	2	127	18
021 705 000	Nut	1	127	29
021 705 000	Nut	2	129	16
021 705 000	Nut	4	135	1
021 705 000	Nut	2	139	19
021 705 000	Nut	4	141	3
021 705 000	Nut	3	143	9
021 705 000	Nut	4	149	16
021 706 000	Nut	1	27	29
021 706 000	Nut	4	57	25
021 706 000	Nut	4	77	4
021 706 000	Nut	2	85	18
021 706 000	Nut	3	87	11
021 706 000	Nut	2	95	12
021 706 000	Nut	4	119	12
021 706 000	Nut	2	125	3
021 706 000	Nut	2	133	19
021 706 000	Nut	4	135	9
021 706 000	Nut	1	135	19
021 706 000	Nut	1	143	24
021 708 000	Nut	12	59	1
021 708 000	Nut	1	67	8

Cross-Reference Index

Part Number	Description	Qty	Page	Item
021 708 000	Nut	1	69	9
021 708 000	Nut	16	81	4
021 708 000	Nut	6	81	9
021 708 000	Nut	4	87	18
021 708 000	Nut	4	111	22
021 708 000	Nut	2	149	3
021 710 000	Nut	2	46	42
021 710 000	Nut	4	53	23
021 710 000	Nut	2	81	16
021 710 000	Nut	2	117	4
021 805 000	Nut	2	25	13
021 806 000	Nut	8	57	15
021 808 000	Nut (8)	4	45	24
021 808 000	Nut (8)	6	49	25
021 808 000	Nut	8	57	2
021 810 000	Nut (10)	2	45	8
021 810 000	Nut (10)	16	49	1
021 810 000	Nut (10)	2	53	3
021 810 000	Nut (10)	16	59	12
022 006 000	Nut	3	4	50
022 006 000	Nut	2	38	56
022 008 000	Nut	8	7	22
022 008 000	Nut	2	19	12
022 531 240	Speed Nut	5	149	33
022 541 240	Speed Nut	10	149	4
022 710 000	Nut	1	71	11
022 716 000	Nut	1	45	31
022 716 000	Nut	1	53	13
022 808 000	Nut	10	4	44
022 808 000	Nut	4	7	15
022 808 000	Nut	3	29	20
022 808 000	Nut	1	37	8
022 810 000	Nut	1	29	1
022 810 000	Nut (10)	2	45	2
022 810 000	Nut (10)	2	53	2
022 814 000	Nut	1	8	43
023 105 000	Castel Nut (5)	2	102	50
023 108 000	Castle Nut (8)	4	65	25
023 108 000	Castle Nut	1	67	16
031 004 000	Washer	3	65	18
031 004 000	Washer	1	79	9
031 004 000	Washer	2	91	9
031 004 000	Washer	5	127	4
031 004 000	Washer	3	129	3

Cross-Reference Index

Part Number	Description	Qty	Page	Item
031 005 000	Washer	2	61	5
031 005 000	Washer	1	79	20
031 005 000	Washer	2	87	8
031 005 000	Washer	2	88	4
031 005 000	Washer	6	91	10
031 005 000	Washer	4	91	19
031 005 000	Washer	4	101	27
031 005 000	Washer	2	102	49
031 005 000	Washer	8	137	10
031 005 000	Washer	2	149	10
031 005 000	Washer	4	149	15
031 005 002	Washer	2	25	18
031 006 000	Washer	1	69	5
031 006 000	Washer	1	73	3
031 006 000	Washer	1	77	16
031 006 000	Washer	2	85	16
031 006 000	Washer	12	101	40
031 006 000	Washer	1	117	33
031 006 000	Washer	4	119	4
031 006 000	Washer	1	127	31
031 006 000	Washer	1	143	19
031 006 002	Washer	31	3	3
031 006 002	Washer	4	13	5
031 006 002	Washer	1	25	27
031 008 000	Washer	2	57	28
031 008 000	Washer	12	59	3
031 008 000	Washer	2	61	8
031 008 000	Washer	1	63	15
031 008 000	Washer	4	69	11
031 008 000	Washer	4	111	20
031 008 000	Washer	2	119	13
031 008 002	Washer	10	4	43
031 008 002	Washer	7	7	24
031 008 002	Washer	2	19	14
031 008 002	Washer	1	29	22
031 010 000	Washer	16	49	3
031 010 000	Washer	2	53	24
031 010 000	Washer	8	59	14
031 010 000	Washer	2	87	21
031 010 000	Washer	1	112	54
031 010 002	Washer	8	7	3
031 010 002	Washer	1	29	3
031 016 000	Washer	2	45	11
031 104 000	Washer	2	65	14

Cross-Reference Index

Part Number	Description	Qty	Page	Item
031 104 000	Washer	2	95	6
031 104 000	Washer	2	101	3
031 104 000	Washer	4	105	7
031 104 000	Washer	8	119	17
031 104 000	Washer	8	119	27
031 104 000	Washer	4	149	23
031 105 000	Washer	2	87	31
031 105 000	Washer	6	97	12
031 105 000	Washer	2	107	9
031 105 000	Washer	2	117	19
031 105 000	Washer	2	119	20
031 105 000	Washer	2	125	12
031 105 000	Washer	4	135	3
031 106 000	Washer	5	87	13
031 106 000	Washer	2	95	14
031 106 000	Washer	4	101	20
031 106 000	Washer	4	111	28
031 106 000	Washer	4	119	10
031 106 000	Washer	3	125	21
031 106 000	Washer	2	129	6
031 106 000	Washer	2	133	17
031 106 000	Washer	1	135	22
031 108 000	Washer	1	67	17
031 108 000	Washer	2	81	24
031 110 000	Washer	1	67	19
031 110 000	Washer	2	81	11
031 205 000	Washer	1	125	16
031 205 001	Washer	6	87	33
031 205 001	Washer	1	88	8
031 205 001	Washer	10	105	2
031 205 001	Washer	2	125	7
031 205 001	Washer	2	127	35
031 206 000	Washer	3	67	14
031 206 001	Washer	6	101	36
031 206 001	Washer	6	101	38
031 206 001	Washer	4	119	8
031 208 001	Washer	1	67	10
032 004 000	Spring Washer	2	21	13
032 004 000	Spring Washer	3	65	17
032 004 000	Spring Washer	2	83	31
032 004 000	Spring Washer	3	91	4
032 004 000	Spring Washer	2	95	7
032 004 000	Spring Washer	1	117	24
032 004 000	Spring Washer	2	127	15

Cross-Reference Index

Part Number	Description	Qty	Page	Item
032 004 000	Spring Washer	1	133	9
032 004 000	Spring Washer	4	141	16
032 004 000	Spring Washer	4	149	22
032 004 201	Spring Washer	3	8	45
032 005 000	Spring Washer	5	21	2
032 005 000	Spring Washer	2	45	26
032 005 000	Spring Washer	6	49	7
032 005 000	Spring Washer	2	61	12
032 005 000	Spring Washer	4	73	13
032 005 000	Spring Washer	2	79	13
032 005 000	Spring Washer	8	87	4
032 005 000	Spring Washer	8	87	30
032 005 000	Spring Washer	3	88	3
032 005 000	Spring Washer	6	91	11
032 005 000	Spring Washer	2	91	18
032 005 000	Spring Washer	2	93	13
032 005 000	Spring Washer	4	101	22
032 005 000	Spring Washer	6	105	3
032 005 000	Spring Washer	2	107	8
032 005 000	Spring Washer	4	109	12
032 005 000	Spring Washer	5	117	7
032 005 000	Spring Washer	2	119	18
032 005 000	Spring Washer	3	125	13
032 005 000	Spring Washer	2	125	22
032 005 000	Spring Washer	1	127	28
032 005 000	Spring Washer	1	127	36
032 005 000	Spring Washer	2	129	15
032 005 000	Spring Washer	2	129	18
032 005 000	Spring Washer	2	133	25
032 005 000	Spring Washer	4	135	2
032 005 000	Spring Washer	1	135	7
032 005 000	Spring Washer	1	135	13
032 005 000	Spring Washer	8	137	11
032 005 000	Spring Washer	3	143	7
032 005 000	Spring Washer	4	149	6
032 005 201	Spring Washer	2	3	11
032 005 201	Spring Washer	2	25	17
032 006 000	Spring Washer	1	27	30
032 006 000	Spring Washer	1	49	37
032 006 000	Spring Washer	8	57	16
032 006 000	Spring Washer	2	63	10
032 006 000	Spring Washer	3	67	13
032 006 000	Spring Washer	3	69	6
032 006 000	Spring Washer	4	73	5

Cross-Reference Index

Part Number	Description	Qty	Page	Item
032 006 000	Spring Washer	1	75	14
032 006 000	Spring Washer	13	77	2
032 006 000	Spring Washer	4	79	2
032 006 000	Spring Washer	2	85	17
032 006 000	Spring Washer	5	87	12
032 006 000	Spring Washer	4	87	25
032 006 000	Spring Washer	2	95	13
032 006 000	Spring Washer	2	111	10
032 006 000	Spring Washer	4	111	27
032 006 000	Spring Washer	2	115	2
032 006 000	Spring Washer	2	117	30
032 006 000	Spring Washer	8	119	1
032 006 000	Spring Washer	6	119	11
032 006 000	Spring Washer	3	123	3
032 006 000	Spring Washer	2	125	2
032 006 000	Spring Washer	3	125	20
032 006 000	Spring Washer	1	127	32
032 006 000	Spring Washer	2	129	7
032 006 000	Spring Washer	2	133	5
032 006 000	Spring Washer	2	133	18
032 006 000	Spring Washer	4	135	10
032 006 000	Spring Washer	1	135	20
032 006 000	Spring Washer	2	135	25
032 006 000	Spring Washer	1	143	18
032 006 201	Spring Washer	42	3	2
032 006 201	Spring Washer	13	13	4
032 006 201	Spring Washer	12	15	8
032 006 201	Spring Washer	3	19	8
032 006 201	Spring Washer	2	25	2
032 006 201	Spring Washer	2	29	25
032 006 201	Spring Washer	6	38	44
032 008 000	Spring Washer	1	21	37
032 008 000	Spring Washer	4	45	25
032 008 000	Spring Washer	6	49	26
032 008 000	Spring Washer	20	51	8
032 008 000	Spring Washer	8	57	3
032 008 000	Spring Washer	12	59	2
032 008 000	Spring Washer	2	61	9
032 008 000	Spring Washer	1	63	14
032 008 000	Spring Washer	1	67	9
032 008 000	Spring Washer	4	69	10
032 008 000	Spring Washer	16	81	3
032 008 000	Spring Washer	4	87	17
032 008 000	Spring Washer	6	111	21

Cross-Reference Index

Part Number	Description	Qty	Page	Item
032 008 000	Spring Washer	3	111	32
032 008 000	Spring Washer	1	133	15
032 008 000	Spring Washer	2	149	2
032 008 201	Spring Washer	15	3	19
032 008 201	Spring Washer	20	7	8
032 008 201	Spring Washer	2	19	13
032 008 201	Spring Washer	2	25	5
032 008 201	Spring Washer	5	29	21
032 010 000	Spring Washer	2	46	41
032 010 000	Spring Washer	16	49	2
032 010 000	Spring Washer	8	53	21
032 010 000	Spring Washer	16	59	13
032 010 000	Spring Washer	4	75	11
032 010 000	Spring Washer	6	81	12
032 010 000	Spring Washer	2	87	22
032 010 000	Spring Washer	2	117	5
032 010 201	Spring Washer	8	7	2
032 010 201	Spring Washer	1	29	2
032 012 000	Spring Washer	1	31	2
032 012 000	Spring Washer	4	45	13
032 012 000	Spring Washer	1	65	8
032 012 000	Spring Washer	2	81	22
032 014 201	Spring Washer	1	8	42
032 040 000	Spring Washer	2	111	6
033 004 000	Lock Washer	2	65	15
033 004 000	Lock Washer	4	97	18
033 004 000	Lock Washer	4	139	7
033 005 000	Lock Washer	12	97	4
033 005 000	Lock Washer	4	141	4
033 006 000	Lock Washer	22	101	19
033 006 000	Lock Washer	2	117	12
033 006 000	Lock Washer	2	139	20
034 004 000	Lock Washer (Counter Sunk Tooth)	2	79	3
034 004 000	Lock Washer	4	121	7
034 004 000	Lock Washer	4	147	31
034 005 000	Lock Washer	2	87	6
034 005 000	Lock Washer	8	98	61
034 005 000	Lock Washer	6	109	14
034 005 000	Lock Washer	2	111	15
034 006 000	Lock Washer	2	91	14
034 006 000	Lock Washer	4	98	42
034 006 000	Lock Washer	12	98	49
034 006 000	Lock Washer	1	147	16
034 008 000	Lock Washer	8	98	55

Cross-Reference Index

Part Number	Description	Qty	Page	Item
034 030 000	Lock Washer	1	112	58
035 104 000	Rosette	2	147	33
035 105 000	Rosette	4	101	9
037 010 000	Gasket (Aluminum)	2	25	9
037 114 000	Gasket (Fiber)	1	3	31
037 114 000	Gasket (Fiber)	1	5	13
037 122 000	Gasket (Fiber)	2	4	58
037 122 000	Gasket (Fiber)	2	5	14
040 105 060	Screw	1	33	19
040 105 100	Screw	1	33	20
041 103 060	Screw	2	65	3
041 105 100	Screw (Round Head)	2	87	34
041 105 120	Screw	4	87	7
041 105 120	Screw	2	97	3
041 105 160	Screw	2	98	64
041 106 000	Screw	2	117	13
041 106 140	Screw	2	98	51
041 106 160	Screw	2	91	15
041 106 160	Screw	2	98	50
041 106 200	Screw	8	98	56
042 103 080	Screw	1	112	57
042 104 100	Screw	2	77	25
042 104 120	Screw (Oval Head)	2	79	4
042 104 161	Screw (4 x 16)	2	149	28
042 105 100	Screw	4	101	8
042 105 120	Screw	2	111	16
042 105 161	Screw	4	102	45
042 105 200	Screw	8	98	60
042 106 250	Screw	2	95	15
043 103 050	Screw	4	121	11
043 103 080	Screw (Pan Head)	6	137	13
043 104 000	Screw	4	141	17
043 104 080	Screw	2	79	17
043 104 100	Screw (Pan Head)	1	83	32
043 104 101	Screw	4	101	30
043 104 120	Screw	5	65	16
043 104 120	Screw	3	91	5
043 104 120	Screw	2	97	25
043 104 120	Screw	1	133	6
043 104 200	Screw	1	85	2
043 104 200	Screw	1	85	9
043 104 200	Screw (Pan Head)	2	95	10
043 104 350	Screw	2	125	9
043 104 350	Screw	2	127	9

Cross-Reference Index

Part Number	Description	Qty	Page	Item
043 105 100	Screw	6	49	8
043 105 100	Screw	2	91	8
043 105 100	Screw	8	97	2
043 105 100	Screw	10	97	13
043 105 100	Screw	2	129	19
043 105 101	Screw (5 x 10)	2	98	65
043 105 120	Screw	2	45	27
043 105 120	Screw	5	83	3
043 105 120	Screw	2	91	20
043 105 120	Screw	4	105	5
043 105 120	Screw	2	107	7
043 105 120	Screw	2	119	7
043 105 120	Screw	2	129	13
043 105 120	Screw	1	135	8
043 105 121	Screw (4 x 12)	2	109	13
043 105 140	Screw	2	61	4
043 105 140	Screw	2	93	12
043 105 140	Screw	2	125	6
043 105 140	Screw (Pan Head)	8	137	12
043 105 160	Screw	4	135	5
043 105 160	Screw	1	135	12
043 105 250	Screw	1	127	26
043 106 080	Screw	2	101	39
043 106 100	Screw	4	102	58
043 106 120	Screw	12	102	41
043 106 140	Screw	2	135	23
043 106 160	Screw	3	67	12
044 604 080	Screw (Flat Head)	3	8	46
044 605 120	Screw (Flat Head)	2	3	10
045 003 080	Tapping Screw (Truss Head)	2	95	11
045 004 120	Tapping Screw	2	61	14
045 004 120	Tapping Screw	2	127	3
045 004 120	Tapping Screw	3	129	2
045 004 160	Tapping Screw	2	147	28
045 005 120	Screw	2	127	38
045 503 060	Tapping Screw	2	149	13
045 503 140	Tapping Screw	2	139	16
045 504 080	Tapping Screw	2	111	7
045 504 081	Screw (4 x 6)	6	121	14
046 004 120	Tapping Screw	4	121	6
046 004 120	Screw (Tapping)	2	147	32
046 004 200	Tapping Screw	2	109	17
046 004 230	Screw (Tapping)	4	147	30
046 005 120	Tapping Screw (Oval Head)	2	137	15

Cross-Reference Index

Part Number	Description	Qty	Page	Item
046 005 140	Tapping Screw	4	109	15
051 010 080	Cotter Pin	1	21	33
051 010 080	Cotter Pin	2	91	6
051 010 100	Cotter Pin	1	117	32
051 012 100	Cotter Pin	2	25	12
051 012 100	Cotter Pin	1	79	8
051 012 120	Cotter Pin	2	102	51
051 012 150	Cotter Pin	3	15	12
051 016 100	Cotter Pin	1	33	7
051 016 100	Cotter Pin	1	127	21
051 016 120	Cotter Pin	1	83	18
051 020 120	Cotter Pin	4	65	24
051 020 150	Cotter Pin	4	57	19
051 020 150	Cotter Pin	1	71	7
051 020 150	Cotter Pin	1	73	20
051 020 150	Cotter Pin	1	77	11
051 020 150	Cotter Pin	2	117	17
051 020 180	Cotter Pin	2	61	22
051 020 180	Cotter Pin	1	67	15
051 020 200	Cotter Pin	2	61	21
051 025 300	Cotter Pin	1	63	21
051 030 150	Cotter Pin	1	112	53
051 040 300	Cotter Pin	2	59	17
051 040 400	Cotter Pin	2	45	40
052 006 160	Pin	1	77	13
052 006 540	Pin	1	83	17
052 008 180	Pin	1	73	19
053 004 151	Key	1	16	33
053 105 151	Key	1	38	50
053 204 201	Woodruff Key	2	29	5
053 205 300	Woodruff Key	1	7	38
053 205 400	Woodruff Key	1	15	10
060 060 080	Ball Bearing	1	38	53
060 162 011	Ball Bearing	2	29	7
060 162 020	Ball Bearing	1	31	7
060 162 050	Ball Bearing	2	59	6
060 162 060	Ball Bearing	2	59	21
060 263 010	Ball Bearing	2	4	67
060 562 060	Ball Bearing	3	11	4
060 862 060	Ball Bearing	2	11	1
061 030 203	Roller Bearing	2	49	12
061 030 204	Roller Bearing	2	49	15
062 132 449	Oil Seal	2	59	8
062 230 505	Oil Seal	2	49	16

Cross-Reference Index

Part Number	Description	Qty	Page	Item
062 915 111	"O" Ring	2	49	36
080 215 300	Fuse Tube (15A)	1	135	16
080 220 300	Fuse Tube (20A)	1	135	17
091 553 000	Clip	1	127	20
092 105 000	Grommet	1	75	17
112 100 091	Castle Nut	2	61	23
112 100 200	Shim	6	45	16
112 200 190	Washer (Inner Bracket)	2	45	17
112 200 230	Washer (Outer Bracket)	2	45	38
112 200 281	Boot (Torsion Bar - Front)	2	45	20
112 202 003	Outer Bracket	2	45	36
112 202 023	Rubber Bushing (Outer Bracket)	2	45	37
112 202 033	Rubber Bushing (Inner Bracket)	2	45	34
112 203 003	Inner Bracket	2	45	33
112 210 060	Boot (Trailing Arm)	2	45	39
112 210 330	Bolt (Center Arm - Front)	1	45	32
112 213 220	Nylon Bushing (Trailing Arm)	4	46	43
112 215 141	Plug (Trailing Arm)	2	45	35
112 220 011	Torsion Bar (Front - Right)	1	45	22
112 220 021	Torsion Bar (Front - Left)	1	45	23
112 220 031	Center Spring (Front)	1	45	19
112 223 900	Trailing Arm (Right)	1	45	14
112 224 900	Trailing Arm (Left)	1	45	15
112 300 011	Knuckle (Right)	1	49	28
112 300 021	Knuckle (Left)	1	49	29
112 300 060	Knock Pin (King Pin)	2	49	27
112 300 070	Cover (King Pin)	2	49	35
112 300 080	Plug (King Pin)	2	49	21
112 300 091	Thrust Washer (King Pin - Upper)	2	49	31
112 300 100	Thrust Washer (King Pin - Lower)	2	49	30
112 300 110	Cover (Thrust Washer)	2	49	32
112 300 160	Washer (Knuckle - Outer)	2	49	11
112 300 170	Washer (Locking)	2	49	10
112 300 180	Packing (Cap)	2	49	5
112 300 221	Cap (Left)	1	49	13
112 300 230	Cap (Right)	1	49	6
112 300 320	Shim (Thrust Washer)	2	49	24
112 300 330	Shim (Thrust Washer)	2	49	23
112 300 340	Shim (Thrust Washer)	2	49	22
112 300 350	Shim (Thrust Washer)	2	49	19
112 300 360	Shim (Thrust Washer)	2	49	20
112 307 002	Brake Drum (Front)	2	49	14
112 309 020	Tube	5	51	6
112 310 050	King Pin	2	49	33

Cross-Reference Index

Part Number	Description	Qty	Page	Item
112 310 950	King Pin Set	1	49	
112 311 030	Bolt (Rim)	20	51	2
112 416 020	Rubber Bushing (Oil Damper)	2	45	5
112 416 020	Rubber Bushing (Oil Damper)	2	53	8
112 416 050	Washer (Oil Damper)	2	45	7
112 416 050	Washer (Oil Damper)	2	53	9
112 418 000	Oil Damper (Front)	2	45	1
112 426 002	Oil Damper (Rear)	2	53	1
112 500 060	Rubber Bushing (Radius Arm)	4	53	18
112 500 170	Rubber Boot (Center Arm)	1	53	16
112 603 000	Radius Arm (Rear Right)	1	53	19
112 604 000	Radius Arm (Rear Left)	1	53	19
112 620 035	Center Arm (Rear)	1	53	12
112 620 040	Bolt (Radius Arm Cover)	4	53	22
112 620 270	Pin (Oil Damper - Rear)	2	53	10
112 620 301	Cover (Radius Arm)	2	53	20
112 621 011	Torsion Bar (Rear Right)	1	53	15
112 621 021	Torsion Bar (Rear Left)	1	53	17
112 700 060	Spacer C (Bearing . Rear)	2	59	9
112 700 070	Nut (Bearing . Rear)	2	59	7
112 700 090	Plate (Locking)	2	59	10
112 700 190	Knock Pin (Rear Axle)	2	59	27
112 700 201	Boot (Rear Axle)	2	59	31
112 800 050	Spacer B (Bearing . Rear)	2	59	20
112 800 133	Back Plate (Rear Right)	1	57	35
112 800 143	Back Plate (Rear Left)	1	57	36
112 810 030	Spacer A (Bearing . Rear)	2	59	22
112 810 042	Hub (Rear Right)	1	59	4
112 810 052	Hub (Rear Left)	1	59	5
112 810 060	Protector (Oil Seal)	2	59	25
112 810 070	Bolt (Rear Axle)	4	59	28
112 810 080	Washer	2	59	19
112 811 000	Rear Axle	2	59	24
112 906 000	Brake Shoe (Front)	4	57	12
112 910 032	Supporter (Brake Shoe)	4	57	26
112 910 060	Shoe (Supporter)	4	57	23
112 910 070	Lock Washer (Supporter)	4	57	24
112 914 002	Anchor Block	2	55	28
112 914 002	Anchor Block	2	57	34
112 914 033	Adjuster (Anchor Block - Left)	2	55	30
112 914 043	Adjuster (Anchor Block - Right)	2	55	31
112 914 051	Supporter (Anchor Block - Left)	2	55	29
112 914 061	Supporter (Anchor Block - Right)	2	55	32
112 915 031	Air Bleeder (Wheel Cylinder - Rear)	2	55	23

Cross-Reference Index

Part Number	Description	Qty	Page	Item
112 915 041	Cap (Wheel Cylinder)	2	55	6
112 915 041	Cap (Wheel Cylinder)	2	55	22
112 918 020	Supporter (Wheel Cylinder - Rear)	4	55	26
112 918 051	Boot (Wheel Cylinder - Rear)	4	55	27
112 920 001	Wheel Cylinder (Rear)	2	55	19
112 920 001	Wheel Cylinder (Rear)	2	57	17
112 920 020	Piston (Wheel Cylinder - Rear)	4	55	25
112 920 030	Cup (Wheel Cylinder - Rear)	4	55	24
112 921 010	Back Plate (Front Right)	1	57	5
112 921 020	Back Plate (Front Left)	1	57	6
112 921 030	Seat (Brake Shoe . Front)	8	57	13
112 921 040	Set Pin (Brake Shoe . Front)	4	57	4
112 921 050	Set Spring (Brake Shoe . Front)	4	57	14
112 921 061	Pipe (Brake . Front)	2	57	1
112 921 070	Spring (Brake Shoe . Front)	4	57	11
112 925 001	Wheel Cylinder (Front Upper Right)	1	55	1
112 925 001	Wheel Cylinder (Front Upper Right)	1	57	7
112 925 050	Piston (Wheel Cylinder - Front)	4	55	16
112 925 060	Cup (Wheel Cylinder - Front)	4	55	17
112 925 070	Boot (Wheel Cylinder - Front)	4	55	15
112 925 101	Supporter (Wheel Cylinder - Front)	2	55	13
112 925 111	Supporter (Wheel Cylinder - Front)	2	55	14
112 925 121	Lock Spring (Wheel Cylinder - Front)	4	55	10
112 925 141	Air Bleeder (Wheel Cylinder - Front)	2	55	7
112 925 161	Union Bolt (Wheel Cylinder - Front)	2	55	5
112 925 161	Union Bolt (Wheel Cylinder)	2	55	21
112 926 001	Wheel Cylinder (Front Upper Left)	1	55	2
112 926 001	Wheel Cylinder (Front Upper Left)	1	57	8
112 928 001	Wheel Cylinder (Front Lower Right)	1	55	3
112 928 001	Wheel Cylinder (Front Lower Right)	1	57	9
112 929 001	Wheel Cylinder (Front Lower Left)	1	55	4
112 929 001	Wheel Cylinder (Front Lower Left)	1	57	10
112 938 100	Brake Shoe (Rear)	4	57	22
112 960 060	Spring (Brake Shoe . Rear Upper)	2	57	18
112 960 071	Pin (Lever A)	2	57	20
112 960 080	Spring (Brake Shoe . Rear Lower)	2	57	27
112 960 101	Lever A (Brake Shoe . Rear Upper)	2	57	21
112 960 111	Lever B (Brake . Rear Lower Right)	1	57	31
112 960 121	Lever B (Brake . Rear Lower Left)	1	57	32
112 960 130	Pin (Lever B)	2	57	33
112 960 140	Spring (Lever B . Right)	1	57	29
112 960 150	Spring (Lever B . Left)	1	57	30
113 410 190	Rubber Boot (Ball Stud)	2	63	30
113 420 070	Earth Coard (Horn)	1	65	26

Cross-Reference Index

Part Number	Description	Qty	Page	Item
113 427 000	Rubber Coupling (Steering Shaft)	1	65	28
113 505 072	Dust Seal (Steering Shaft)	1	61	16
113 505 120	Clamp (Steering Shaft Cover)	1	61	6
113 510 071	Ball Seat	3	63	22
113 510 130	Snap Ring (Rubber Boot)	2	63	5
113 527 070	Spring (Steering Wheel)	1	65	6
113 551 020	Bushing (Steering Gear Box)	2	63	6
113 560 020	Stopper (Rack)	1	63	19
113 560 031	Lock Washer (Eccentric Bushing)	1	63	3
113 560 040	Spring Seat	1	63	26
113 560 050	Spacer	1	63	27
113 560 060	Bolt	1	63	13
113 560 070	Cap (Rack)	1	63	28
113 560 080	Lock Washer (Rack)	1	63	18
113 560 090	Spring (Ball Seat)	1	63	25
113 560 100	Thrust Washer (Pinion)	1	63	12
113 560 120	Cover (Rack)	2	63	1
113 560 130	Bushing (Rack Eccentric)	1	63	2
113 560 140	Cover (Rack)	1	63	29
113 560 151	Cap (Pinion)	1	63	11
113 781 010	Set Spring	1	67	22
113 782 000	Gear Change Rod	1	67	21
113 783 000	Gear Change Lever	1	67	1
113 783 010	Knob (Gear Change Lever)	1	67	2
113 783 020	Stopper (Gear Change Lever)	1	67	4
113 800 020	Rubber Bushing (Gear Change Rod)	2	67	11
113 810 020	Holder (Gear Change Lever)	1	67	5
113 810 030	Boot (Gear Change Lever)	1	67	3
114 110 040	Return Spring (Pedal)	1	69	17
114 110 052	Connector (Piston Rod)	1	71	10
114 110 070	Key	2	61	24
114 110 070	Key (Clutch Pedal Shaft)	2	69	19
114 130 022	Push Rod (Master Cylinder)	1	71	12
114 130 031	Boot (Master Cylinder)	1	71	16
114 130 040	Stop Ring (Master Cylinder)	1	71	15
114 130 050	Stop Washer (Master Cylinder)	1	71	14
114 130 090	Primary Cup (Master Cylinder)	1	71	6
114 130 110	Spring (Master Cylinder)	1	71	5
114 130 120	Check Valve (Master Cylinder)	1	71	4
114 130 130	Valve Seat (Master Cylinder)	1	71	3
114 130 151	Gasket (Wheel Cylinder)	4	55	18
114 130 151	Gasket (Wheel Cylinder)	4	55	20
114 130 151	Gasket (Master Cylinder)	2	71	18
114 130 190	Piston (Master Cylinder)	1	71	13

Cross-Reference Index

Part Number	Description	Qty	Page	Item
114 130 220	Pin (Master Cylinder)	1	71	9
114 130 900	Master Cylinder Repair Kit (A)	1	71	
114 130 910	Master Cylinder Repair Kit (B)	1	71	
114 132 021	Union Bolt (Master Cylinder)	1	71	17
114 150 020	Wing Nut (Clutch Cable)	1	73	9
114 150 030	Key (Clutch Lever)	1	73	8
114 150 040	Pin (Clutch Lever)	1	73	10
114 150 070	Return Spring (Clutch Lever)	1	73	7
114 160 030	Return Spring (Clutch Pedal)	1	73	16
114 160 101	Bracket (Clutch Cable)	1	73	11
114 160 110	Clamp (Clutch Cable)	1	73	15
114 160 120	Clip	1	73	12
114 161 031	Spring (Clutch Cable)	1	73	2
114 170 021	Nipple (Master Cylinder)	1	71	2
114 170 050	Tube (Brake Oil Tank)	1	75	8
114 170 101	Nut (Brake Hose)	4	75	10
114 171 001	Brake Hose (Front)	2	75	1
114 182 081	Connector (Brake Pipe - Front)	1	75	9
114 182 132	Brake Pipe (Rear Right)	1	75	3
114 182 141	Brake Pipe (Rear Left)	1	75	5
114 182 150	Connector (Brake Pipe - Rear)	1	75	12
114 341 083	Push Button (Hand Brake Lever)	1	77	22
114 350 032	Cover (Cable End)	2	77	9
114 350 080	Arm (Hand Brake Lever)	1	77	14
114 350 090	Pin (Hand Brake Lever)	1	77	12
114 356 002	Hand Brake Rod	1	77	15
114 359 070	Spring (Hook)	1	77	23
114 500 132	Cable Support	1	79	12
114 502 004	Choke Cable	1	79	7
114 512 003	Accelerator Cable	1	79	6
114 541 091	Bolt	1	79	21
114 541 091	Bolt	3	117	2
114 541 100	Spacer	2	25	14
114 541 100	Spacer	1	79	19
114 541 100	Spacer	1	127	19
114 710 140	Protector (Differential Case)	1	81	21
114 710 150	Spacer (Protector)	1	81	20
114 740 051	Cushion Rubber (Front Mounting)	1	81	19
114 740 061	Bracket (Front Mounting)	1	81	17
114 740 071	Bracket (Front Mounting - Right)	1	81	15
114 740 081	Bracket (Front Mounting - Left)	1	81	14
114 742 010	Bracket (Rear Mounting)	1	81	26
114 757 006	Fuel Strainer	1	83	20
114 757 014	Fuel Pipe (Fuel Strainer)	1	83	27

Cross-Reference Index

Part Number	Description	Qty	Page	Item
114 757 062	Filter Element	1	83	23
114 757 071	Packing (Cup)	1	83	22
114 757 081	Packing (Nut)	1	83	30
114 757 091	Nut (Fuel Strainer)	1	83	29
114 757 124	Filter (Fuel Strainer)	1	83	28
114 757 161	Cup (Fuel Strainer)	1	83	21
114 757 260	Controller (Strainer)	1	83	25
114 757 270	Valve (Strainer)	1	83	26
114 757 280	Pipe (Strainer)	1	83	24
114 760 011	Packing (Fuel Strainer)	1	83	15
114 765 001	Fuel Tank	1	83	13
114 770 013	Grommet	1	83	12
114 785 010	Spacer (Fuel Tank)	2	83	14
114 785 050	Earth Cord (Fuel Meter Unit)	1	83	4
114 785 060	Band (Fuel Tank)	1	83	19
114 785 090	Washer (Fuel Tank Band)	1	83	7
114 785 100	Spacer (Fuel Tank)	2	83	16
114 785 130	Spacer (Fuel Tank)	2	83	5
114 785 140	Pipe (Air Vent)	1	83	8
114 787 014	Oil Tank Assy	1	85	1
114 787 080	Clip	1	85	6
114 787 080	Clip	1	85	20
114 787 100	Packing (Oil Level Unit)	1	85	5
114 787 190	Band (Oil Tank)	1	85	15
114 787 200	Saucer (Oil Tank)	1	85	14
114 787 210	Pipe (Oil Tank)	1	85	7
114 787 220	Pipe	1	85	10
114 788 004	Oil Lever Unit	1	85	3
114 860 011	Ring	2	81	6
114 860 021	Clamp	4	81	5
114 875 005	Muffler	1	81	2
114 876 000	Pre-Chamber	1	81	10
115 013 002	Rear Panel	1	93	15
115 041 005	Rear Quarter Panel (Inner Right)	1	93	8
115 042 005	Rear Quarter Panel (Inner Left)	1	93	9
115 054 003	Tire Apron & Side Sill (Outer Right)	1	93	23
115 055 003	Tire Apron & Side Sill (Outer Left)	1	93	24
115 072 104	Rear Fender Apron & Frame (Right)	1	93	6
115 073 251	Rear Fender Apron & Frame (Left)	1	93	7
115 083 003	Rear Quarter Panel (Outer Right)	1	93	4
115 084 003	Rear Quarter Panel (Outer Left)	1	93	5
115 110 020	Front Rail (Outer)	1	93	2
115 110 038	Front Rail (Inner)	1	93	3
115 110 051	Rear Rail	1	93	14

Cross-Reference Index

Part Number	Description	Qty	Page	Item
115 117 001	Rear Skirt	1	87	10
115 123 000	Cross Member (Engine Support)	1	87	19
115 214 250	Toe Board (Right)	1	93	20
115 214 260	Toe Board (Left)	1	93	18
115 222 100	Bracket (Fuel Tank Band)	1	93	11
115 350 063	Duct (Front Tire Apron - Left)	1	93	22
115 350 952	Duct (Front Tire Apron - Right)	1	93	21
115 352 100	Front Pillar (Outer Right)	1	93	27
115 352 110	Front Pillar (Outer Left)	1	93	28
115 360 014	Front Pillar (Inner Right)	1	93	25
115 360 030	Side Rail (Inner Right)	1	93	25
115 360 040	Side Rail (Inner Left)	1	93	26
115 360 741	Front Pillar (Inner Left)	1	93	26
115 362 132	Plate	1	87	35
115 390 100	Rear Bulkhead	1	93	10
115 410 126	Visor (Speedometer)	1	129	5
115 530 050	Stay (Front Hood)	1	88	7
115 530 080	Bumper (Front Hood)	4	88	5
115 530 080	Bumper (Engine Hood)	4	91	24
115 621 011	Front Skirt	1	87	28
115 690 001	Lock & Key Kit	1	98	46
115 701 001	Hinge (Engine Hood - Right)	1	91	16
115 702 001	Hinge (Engine Hood - Left)	1	91	25
115 710 010	Stopper (Engine Hood)	1	91	7
115 710 021	Hinge (Engine Hood Stay)	1	91	2
115 710 030	Stay (Engine Hood)	1	91	1
115 719 100	Cover	1	91	21
115 729 010	Rubber Washer (Hinge)	2	91	13
115 810 011	Under Cover (Engine Room)	1	87	27
115 830 020	Diagonal Member	1	87	20
115 920 370	Weather Strip (Door)	2	97	26
115 921 001	Door Hinge (Upper Right)	1	98	52
115 922 001	Door Hinge (Upper Left)	1	98	53
115 923 001	Door Hinge (Lower Right)	1	98	57
115 924 001	Door Hinge (Lower Left)	1	98	58
115 950 080	Liner (Door Hinge - Upper)	1	98	48
115 950 090	Liner (Door Hinge - Lower)	1	98	59
115 952 242	Center Sash (Door - Right)	1	101	34
115 952 252	Center Sash (Door - Left)	1	101	35
115 952 620	Bracket (Door Glass - Right)	1	101	23
115 952 630	Bracket (Door Glass - Left)	1	101	24
115 952 640	Slider (Door Glass - Right)	1	101	25
115 952 650	Slider (Door Glass - Left)	1	101	26
115 952 994	Door Panel (Right)	1	97	15

Cross-Reference Index

Part Number	Description	Qty	Page	Item
115 953 994	Door Panel (Left)	1	97	16
115 958 010	Locking Spring (Door Lock - Right)	1	97	7
115 958 020	Locking Spring (Door Lock - Left)	1	97	8
115 958 030	Spring (Door Lock)	2	97	9
115 958 040	Spring (Remote)	1	97	10
115 962 013	Frame Cover (Door - Right)	1	97	19
115 962 023	Frame Cover (Door - Left)	1	97	20
115 965 003	Regulator (Door Glass - Right)	1	102	59
115 966 003	Regulator (Door Glass - Left)	1	102	60
115 966 020	Roller (Regulator)	2	102	62
115 966 030	Shaft (Regulator)	2	102	61
116 005 010	Spacer (Striker)	0 - 2	97	36
116 005 020	Spacer (Striker)	0 - 2	97	37
116 005 030	Spacer (Striker)	0 - 2	97	38
116 005 050	Spacer (Striker)	0 - 2	97	35
116 013 082	Run Channel (Door - Right)	1	101	14
116 013 092	Run Channel (Door - Left)	1	101	15
116 013 100	Spacer (Run Channel)	2	101	13
116 013 121	Glass Channel (Right)	1	101	6
116 013 131	Glass Channel (Left)	1	101	7
116 013 251	Inner Handle (Door Lock)	2	98	45
116 013 270	Retainer Spring (Door)	2	98	44
116 013 270	Retainer Spring (Door)	2	102	63
116 013 281	Escutcheon (Regular Handle)	2	102	64
116 013 290	Escutcheon (Door Lock)	2	97	1
116 013 320	Clip (Glass Channel)	10	101	5
116 013 410	Screw	4	101	18
116 013 481	Cover (Door - Inner)	14	97	29
116 013 492	Weather Strip (Door)	1	97	27
116 013 502	Weather Strip (Door)	1	97	28
116 013 552	Handle (Regulator)	2	102	65
116 013 560	Screw	8	98	54
116 013 570	Cap (Door - Inner)	2	97	33
116 013 700	Door Glass (Right)	1	101	11
116 013 710	Door Glass (Left)	1	101	12
116 023 031	Metal Moulding (Door - Right)	1	97	21
116 023 041	Metal Moulding (Door - Left)	1	97	22
116 023 051	Clip (Door)	6	97	23
116 023 104	Trim Plate (Door - Right)	1	97	31
116 023 114	Trim Plate (Door - Left)	1	97	32
116 052 030	Bracket (Door Stopper Belt)	4	98	62
116 052 040	Belt (Door Stopper)	2	98	63
116 111 020	Front Seat Assy	1	111	
116 113 001	Adjuster Lever	1	112	55

Cross-Reference Index

Part Number	Description	Qty	Page	Item
116 122 014	Cushion Cover (Front)	1	112	51
116 124 014	Back Rest Cover (Front Right)	1	111	3
116 124 024	Back Rest Cover (Front Left)	1	111	9
116 126 001	Back Rest (Front Right)	1	111	1
116 127 015	Cushion Cover (Rear)	1	115	8
116 127 021	Back Rest (Front Left)	1	111	8
116 127 031	Seat Cushion (Rear)	1	115	6
116 128 031	Back Rest (Rear)	1	115	5
116 181 011	Link (Front Seat)	2	111	30
116 181 030	Grip (Adjuster Lever)	1	112	59
116 181 041	Set Spring (Adjuster Lever)	1	112	52
116 181 050	Reversal Spring	1	112	56
116 181 061	Bushing (Back Rest Hinge)	2	111	4
116 181 072	Bracket (Front Seat - Right)	1	111	12
116 181 082	Bracket (Front Seat - Left)	1	111	13
116 181 091	Shaft (Stopper)	2	111	25
116 181 100	Washer	2	111	24
116 181 110	Spring (Stopper)	2	111	23
116 181 120	Knob (Stopper - Right)	1	111	17
116 181 130	Knob (Stopper - Left)	1	111	18
116 181 150	Spacer (Link)	2	111	31
116 181 150	Spacer (Link)	2	112	48
116 181 180	Screw	4	111	19
116 181 190	Plus Screw (Bracket)	2	111	14
116 181 201	Washer (Hinge Bracket)	2	111	11
116 184 190	Clip	2	112	50
116 184 200	Spring (D)	6	112	44
116 184 210	Spring (E)	2	112	43
116 184 220	Spring (F)	2	112	42
116 184 230	M Pin (D)	12	111	35
116 184 240	M Pin (E) (Right)	1	111	36
116 184 250	M Pin (F) (Left)	1	111	37
116 184 260	M Pin (G) (Right)	1	111	38
116 184 270	M Pin (H) (Left)	1	112	39
116 184 280	M Pin (K) (Right)	1	112	40
116 184 290	M Pin (L) (Left)	1	112	41
116 184 300	M Pin (M) (Right)	1	112	45
116 184 310	M Pin (N) (Left)	1	112	46
116 185 171	M Pin (J)	4	111	2
116 245 070	Spring (I)	8	115	9
116 245 080	Spring (J)	2	115	10
116 245 090	Spring (K)	1	115	11
116 245 100	Spring (L)	1	115	12
116 310 021	Screw	4	105	8

Cross-Reference Index

Part Number	Description	Qty	Page	Item
116 320 063	Trap Door (Rear Bulkhead)	2	105	9
116 350 020	Clip	1	107	6
116 350 031	Stopper (Flap)	1	107	5
116 350 101	Flap	1	107	3
116 350 910	Flap Lock	1	107	4
116 360 150	Pin (Hinge)	1	107	2
116 360 162	Hinge B	1	107	11
116 360 170	Spring (Hinge)	1	107	1
116 360 180	Packing (Hinge)	1	107	12
116 360 191	Cover (Hinge)	1	107	10
116 360 230	Pipe (Air Vent)	1	83	9
116 361 020	Clip (Instrument Panel)	6	95	3
116 361 060	Box (Instrument Panel)	1	95	9
116 363 011	Assist Rail	1	95	16
116 401 052	Bracket (Ventilator - Right)	1	102	42
116 401 062	Bracket (Ventilator - Left)	1	102	43
116 401 090	Coil Spring	2	102	48
116 401 101	Pan (Coil Spring)	2	102	47
116 401 150	Nylon Bushing	2	102	46
116 401 221	Cap	2	102	52
116 404 170	Ventilator (Door - Right)	1	101	16
116 404 180	Ventilator (Door - Left)	1	101	17
116 404 320	Lock Bracket (Ventilator - Right)	1	101	32
116 404 330	Lock Bracket (Ventilator - Left)	1	101	33
116 408 101	Rubber Frame (Right)	1	101	1
116 408 111	Rubber Frame (Left)	1	101	2
116 408 210	Push Button (Stopper)	2	102	54
116 408 220	Handle (Ventilator - Right)	1	102	56
116 408 230	Handle (Ventilator - Left)	1	102	57
116 408 240	Pin (Stopper)	2	102	55
116 408 250	Spring (Stopper)	2	102	53
116 408 390	Washer	6	97	11
116 408 390	Washer	4	101	10
116 411 080	Windshield Glass (Front)	1	109	29
116 418 111	Moulding (Front Glass - Upper Right)	1	109	27
116 418 121	Moulding (Front Glass - Upper Left)	1	109	28
116 418 130	Joint (Moulding)	6	109	4
116 418 130	Joint (Moulding)	4	109	26
116 418 141	Moulding (Front Glass - Lower Right)	1	109	32
116 418 151	Moulding (Front Glass - Lower Left)	1	109	31
116 418 211	Weather Strip (Front Glass)	1	109	30
116 419 013	Weather Strip (Roof)	1	109	24
116 419 110	Moulding (Roof - Front Right)	1	109	25
116 419 120	Moulding (Roof - Front Left)	1	109	3

Cross-Reference Index

Part Number	Description	Qty	Page	Item
116 419 130	Moulding (Roof - Center Right)	1	109	2
116 419 140	Moulding (Roof - Center Left)	1	109	6
116 419 150	Moulding (Roof - Rear Right)	1	109	5
116 419 160	Moulding (Roof - Rear Left)	1	109	7
116 424 060	Lug (Antenna Jack)	1	109	23
116 425 032	Roof Rail	1	109	9
116 425 041	Bracket (Roof Rail)	2	109	10
116 425 072	Screw	2	109	21
116 425 091	Washer (Roof Panel)	2	109	20
116 427 906	Roof Panel	1	109	22
116 435 040	Pin (Side Window Lock)	2	121	3
116 436 075	Weather Strip (Glass - Right)	1	121	8
116 436 085	Weather Strip (Glass - Left)	1	121	9
116 439 030	Glass (Side Window)	2	121	10
116 440 010	Side Window (Right)	1	121	1
116 440 020	Side Window (Left)	1	121	2
116 478 004	Lock (Side Window - Right)	1	121	4
116 479 004	Lock (Side Window - Left)	1	121	5
116 484 013	Weather Strip (Side Window - Right)	1	121	15
116 484 023	Weather Strip (Side Window - Left)	1	121	12
116 505 031	Clip	25	112	49
116 505 031	Clip	34	115	7
116 538 013	Rim (Back Rest - Rear)	1	115	4
116 643 002	Door Handle (Right)	1	98	47
116 644 002	Door Handle (Left)	1	97	24
116 730 030	Lock Plate (Torsion Spring)	1	117	10
116 730 050	Coil Spring (Hood Lock)	2	117	15
116 730 060	Spring (Front Hood Lock)	1	117	11
116 730 102	Front Hood Lock	1	117	14
116 730 110	Latch (Secondary)	1	117	31
116 730 120	Spring	1	117	34
116 750 100	Cover (Front Hood Lock)	1	117	9
116 751 001	Hook (Hood Cable)	2	117	3
116 751 011	Hook (Hood Release)	2	117	37
116 753 010	Hood Cable (Front)	1	117	1
116 761 010	Clip	2	117	22
116 761 020	Grommet	1	117	20
116 762 030	Hood Cable (Rear)	1	117	21
116 770 002	Engine Hood Lock Assy	1	117	25
116 770 010	Base (Hood Lock)	1	117	35
116 770 021	Slider (R - Hood Lock)	1	117	36
116 770 030	Spring (Engine Hood Lock)	1	117	26
116 770 040	Lock Plate (Engine Hood Lock)	1	117	29
116 770 051	Base (Engine Hood Lock)	1	117	28

Cross-Reference Index

Part Number	Description	Qty	Page	Item
116 814 010	Stay (Rear Bumper)	2	119	5
116 830 035	Bracket (Front Bumper - Right)	1	119	3
116 830 045	Bracket (Front Bumper - Left)	1	119	9
116 845 011	Ornament (Front Bumper)	2	119	14
116 845 021	Holder (Ornament - Front)	2	119	15
116 845 131	Front Bumper	1	119	21
116 846 011	Ornament (Rear Bumper)	2	119	24
116 846 021	Holder (Ornament - Rear)	2	119	25
116 846 100	Rear Bumper	1	119	26
116 982 030	Washer (Cancel Cam)	1	65	11
116 982 040	Cancel Cam	1	65	12
117 136 001	Spring (Spare Tire)	1	123	1
117 321 011	Boot (Duct)	1	125	11
117 326 003	Duct (Upper)	1	125	17
117 327 002	Duct (Lower)	1	125	18
117 350 011	Chamber (Air Intake)	1	125	4
117 350 030	Bracket (Chamber)	2	125	1
117 350 041	Boot (Air Intake)	1	125	8
117 350 051	Weather Strip (Chamber)	1	125	5
117 370 010	Spring (Cowl Ventilator - Right)	1	123	10
117 370 020	Spring (Cowl Ventilator - Left)	1	123	9
117 370 031	Pin (Cowl Ventilator)	1	123	7
117 370 042	Weather Strip (Cowl Ventilator)	1	123	8
117 372 001	Cowl Ventilator	1	123	6
117 372 050	Knob (Cowl Ventilator)	1	123	11
117 632 070	Clip Band	1	127	12
117 640 012	Heater Cable	1	127	13
117 651 011	Heater Duct	1	127	16
117 651 055	Cover (Hose)	1	127	5
117 651 120	Hose (Defroster)	1	127	14
117 665 010	Joint Assembly	1	127	24
117 665 020	Lever	1	127	23
117 665 030	Cable (Defrost Valve)	1	127	17
117 680 033	Joint (Heater)	1	127	22
117 680 130	Hose	1	127	11
117 680 202	Heater Valve	1	127	8
117 680 391	Hose (Heater)	1	127	2
117 680 402	Hose (Heater)	1	127	6
117 680 460	Cushion Rubber (Fan)	1	127	34
117 680 481	Fan	1	127	25
117 680 510	Bracket (Fan)	1	127	30
117 680 520	Clamp (Fan)	1	127	27
117 772 060	Bulb	6	129	
117 772 090	Cord (Flasher)	1	129	

Cross-Reference Index

Part Number	Description	Qty	Page	Item
117 781 022	Fuel Meter	1	129	
117 783 020	Cord (Flasher)	1	129	
117 783 031	Cord (Oil Charge, Fuel)	1	129	
117 810 073	Plug Wrench	1	131	5
117 810 083	Wheel Nut Wrench	1	131	4
117 820 003	Jack	1	131	7
117 823 000	Jack Handle	1	131	6
118 100 040	Stop Lamp Switch	1	135	18
118 201 092	Clip (Battery Cable)	2	133	13
118 204 043	Battery Cable	1	133	1
118 204 051	Rubber Cap (Starter Terminal)	1	133	11
118 206 010	Rubber Cap (Battery)	1	133	2
118 225 002	Wiring Harness (Front)	1	133	29
118 231 021	Spring (License Plate Lamp Cord)	1	141	2
118 231 031	Wiring Harness (Rear)	1	133	28
118 424 010	Channel (Battery Support)	1	133	24
118 425 021	Pan (Battery Support)	2	133	21
118 425 043	Rod (Battery Support)	2	133	23
118 443 012	Horn (High)	1	135	11
118 443 022	Horn (Low)	1	135	11
118 444 012	Lever (Back-up Lamp Switch)	1	135	27
118 445 110	Hazard Switch	1	129	21
118 450 012	Heater Switch	1	129	20
118 455 000	Contact Plate (Horn Button)	1	65	10
118 464 101	Turn Signal & Dimmer Switch	1	65	19
118 466 010	Fuse Tube (25A)	1	135	15
118 486 001	Fuel Meter Unit	1	83	1
118 486 030	Packing (Fuel Meter Unit)	1	83	2
118 570 010	Side Flasher Lamp	2	139	9
118 570 020	Bulb	2	139	10
118 603 011	Packing	2	137	3
118 603 100	Ring Assy (Head Lamp - RH)	1	137	1
118 603 200	Ring Assy (Head Lamp - LH)	1	137	2
118 616 010	Spring (Head Lamp Ring)	2	137	14
118 619 000	Head Lamp Assy	2	137	
118 619 010	Housing Assy	2	137	8
118 619 020	Mounting Ring	2	137	7
118 619 030	Adjust Screw (Head Lamp)	4	137	6
118 619 040	Extension Spring	2	137	9
118 619 050	Retaining Ring Assy	2	137	4
118 626 010	Ring (Front Combination Lamp)	2	139	5
118 626 020	Packing (Front Combination Lamp)	2	139	2
118 628 020	Lens (Side Flasher Lamp)	2	139	12
118 628 030	Packing (Side Flasher Lamp)	2	139	11

Cross-Reference Index

Part Number	Description	Qty	Page	Item
118 632 010	Lens (Rear Combination Lamp - Right)	1	141	21
118 632 030	Packing (Rear Combination Lamp)	2	141	19
118 632 050	Filter (Rear Combination Lamp)	2	141	20
118 633 010	Lens (Rear Combination Lamp - Left)	1	141	22
118 636 010	Turn Signal Unit	1	135	6
118 641 060	Bulb	1	141	7
118 643 000	License Plate Lamp	1	141	
118 643 010	Globe (License Plate Lamp)	1	141	13
118 643 020	Lens (License Plate Lamp)	1	141	11
118 643 040	Base (License Plate Lamp)	1	141	5
118 643 050	Packing (License Plate Lamp)	1	141	12
118 644 010	Base (License Plate Lamp)	1	141	1
118 646 000	Rear Combination Lamp (Right)	1	141	
118 647 000	Rear Combination Lamp (Left)	1	141	
118 670 030	Bracket (Back-up Lamp)	1	119	23
118 670 060	Cord (Back-up Lamp)	1	135	28
118 673 002	Back-up Lamp	1	139	18
118 673 120	Bulb (Back-up Lamp)	1	139	22
118 673 140	Lens (Back-up Lamp)	1	139	24
118 673 150	Packing (Back-up Lamp)	1	139	21
118 673 160	Ring (Back-up Lamp)	1	139	23
118 691 001	Front Combination Lamp	2	139	
118 691 010	Lens (Front Combination Lamp)	2	139	1
118 830 112	Arm (Wiper)	2	143	2
118 830 130	Blade (Wiper)	2	143	1
118 837 010	Cap (Wiper)	1	143	5
118 851 012	Tank Complete	1	143	13
118 851 024	Bracket	1	143	20
118 851 041	Bracket	1	143	21
118 855 000	Windshield Washer	1	143	12
119 110 012	Weather Strip (Door - Right)	1	147	2
119 110 022	Weather Strip (Door - Left)	1	147	6
119 110 040	Plug (Front Pillar)	2	147	10
119 150 011	Vinyl Moulding (Instrument Panel)	2	145	12
119 150 030	Vinyl Moulding (Instrument Panel)	2	145	12
119 160 080	Rubber Plug	2	91	22
119 160 090	Plug (Drain)	16	147	8
119 160 230	Molt Plain (Tire Apron)	1	145	7
119 160 240	Molt Plain (Fender Apron)	2	145	10
119 160 250	Molt Plain (Rear Fender)	2	145	15
119 160 280	Molt Plain (Cowl Panel)	2	145	13
119 160 310	Strip (Rear Shelf)	3	147	24
119 160 320	Plug (Mud Guard)	2	147	12
119 160 330	Trimming (Fuel Tank - Upper)	1	145	8

Cross-Reference Index

Part Number	Description	Qty	Page	Item
119 160 341	Stopper (Door)	2	147	9
119 165 063	Trimming (Rear Shelf - Right)	1	145	3
119 165 073	Trimming (Rear Shelf - Left)	1	145	6
119 165 082	Trimming (Rear Quarter - Right)	1	145	2
119 165 092	Trimming (Rear Quarter - Left)	1	145	5
119 165 166	Rug (Front Tire Apron - Right)	1	147	1
119 165 176	Rug (Front Tire Apron - Left)	1	147	11
119 165 210	Plug	1	147	5
119 165 241	Floor Silencer (Rear Shelf)	1	145	9
119 165 271	Cover (Fuel Tank)	1	147	22
119 165 410	Insulator Complete (Rear Bulk Head)	2	145	4
119 169 014	Trim Board (Rear Quarter Pane - Right)	1	145	14
119 169 024	Trim Board (Rear Quarter Pane - Left)	1	145	11
119 201 005	Back Mirror	1	147	17
119 207 104	Sun Visor Assy (Right)	1	147	19
119 207 132	Bracket (Sun Visor & Roof - Right)	1	109	33
119 208 104	Sun Visor Assy (Left)	1	147	25
119 208 132	Bracket (Sun Visor & Roof - Left)	1	109	18
119 209 101	Fender Mirror	2	149	1
119 241 002	Ash Tray (Rear)	1	147	26
119 241 040	Bracket (Ash Tray)	1	111	5
119 250 060	Top Ornament	1	149	5
119 250 550	Rear Mark (Engine Hood)	1	149	20
119 262 020	Plate (Splash Board)	2	149	17
119 262 120	Splash Board (Front Right)	1	149	18
119 262 130	Splash Board (Front Left)	1	149	19
119 272 103	Splash Board (Rear Right)	1	149	8
119 273 103	Splash Board (Rear Left)	1	149	9
119 321 004	Ash Tray (Front)	1	147	27
119 350 011	Safety Belt (3 Point Type)	2	112	61
119 350 020	Safety Belt (Lap Type)	2	112	60
119 425 011	Side Ornament (Right)	1	149	30
119 425 021	Side Ornament (Left)	1	149	31
119 425 043	Rear Mark (Deluxe)	1	149	12
119 429 011	Ornament (Rear Quarter - Right)	1	149	25
119 429 021	Ornament (Rear Quarter - Left)	1	149	26
119 429 120	Screw (Ornament)	4	149	24
122 300 303	Wheel Cap	4	51	1
122 309 001	Tire - Tube (4.80 - 10 - 2P R)	5	51	5
122 309 011	Tire (White Line)	5	51	7
122 410 030	Cushion Rubber (Oil Damper)	4	45	6
122 410 030	Cushion Rubber (Oil Damper)	4	53	11
123 501 013	Tie Rod (Left)	1	63	24
123 506 010	Plate (Dust Cover Seal)	1	61	15

Cross-Reference Index

Part Number	Description	Qty	Page	Item
123 529 034	Bracket	1	65	21
123 529 085	Upper Cover (Steering Shaft)	1	65	13
123 555 005	Steering Gear Box Assy	1	61	17
123 555 005	Steering Gear Box Assy	1	63	
123 555 030	Bushing (Rack)	1	63	16
123 556 003	Steering Gear Box	1	63	4
123 557 001	Pinion (Steering Gear Box)	1	63	8
123 558 000	Rack (Steering Gear Box)	1	63	20
123 561 000	Steering Wheel	1	65	1
123 561 020	Horn Button	1	65	2
124 120 020	Lever (Clutch Pedal Shaft)	1	69	8
124 120 030	Clutch Pedal Shaft	1	69	20
124 120 040	Stopper (Clutch Pedal)	1	69	4
124 120 050	Stopper (Clutch Pedal)	1	69	12
124 120 060	Pedal Cover	2	69	1
124 121 000	Clutch Pedal	1	69	21
124 122 000	Brake Pedal	1	69	18
124 123 001	Bracket (Brake Pedal)	1	69	3
124 133 001	Master Cylinder	1	71	1
124 162 020	Clutch Lever	1	73	6
124 162 030	Clamp (Clutch Cable)	1	73	21
124 162 040	Holder (Bushing)	1	73	17
124 162 053	Clamp (Clutch Cable)	2	73	24
124 163 002	Clutch Cable	1	73	23
124 181 011	Brake Oil Tank	1	75	15
124 181 021	Brake Hose (Rear)	2	75	4
124 183 012	Brake Pipe (Front Right)	1	75	7
124 183 022	Brake Pipe (Front Left)	1	75	6
124 183 032	Brake Pipe (Front - Rear Connector)	1	75	2
124 362 004	Hand Brake Lever	1	77	18
124 362 011	Hook (Hand Brake Lever)	1	77	24
124 362 020	Ratchet (Hand Brake Lever)	1	77	20
124 362 040	Washer (Hand Brake Lever)	2	77	19
124 362 050	Collar (Hand Brake Lever)	2	77	21
124 363 000	Hand Brake Cable (Right)	1	77	5
124 364 000	Hand Brake Cable (Left)	1	77	7
124 532 002	Accelerator Pedal	1	79	11
125 023 008	Front Bulkhead	1	93	19
125 029 000	Floor & Tunnel	1	93	16
125 125 004	Cowl Panel	1	93	1
125 412 151	Bracket	1	129	17
125 413 001	Instrument Panel	1	93	17
125 533 000	Front Hood	1	88	1
125 619 000	Front Fender (Right)	1	87	1

Cross-Reference Index

Part Number	Description	Qty	Page	Item
125 619 010	Front Fender (Left)	1	87	2
125 736 904	Engine Hood	1	91	23
125 957 002	Door Lock Link System (Right)	1	97	5
125 958 002	Door Lock Link System (Left)	1	97	6
126 231 015	Panel (Luggage Shelf)	1	105	1
126 362 020	Moulding (Instrument Panel - Center)	1	95	4
126 362 030	Moulding (Instrument Panel - Left)	1	95	5
126 362 040	Moulding (Instrument Panel - Right)	1	95	2
126 362 101	Pad (Instrument Panel)	1	95	1
126 414 010	Windshield Glass (Rear)	1	109	8
126 414 020	Weather Strip (Roof Rail)	1	109	34
126 891 010	Bracket (Base)	1	119	22
127 773 010	Speedometer Cable	1	129	11
127 786 000	Combination Meter	1	129	4
127 786 000	Combination Meter	1	129	4
128 204 011	Earth Cable (Battery)	1	133	3
128 422 020	Stay (Battery Support)	1	133	20
128 613 060	Sealed Beam Unit	2	137	5
128 830 100	Stay (Wiper Frame)	1	143	10
128 831 004	Link System Assy	1	143	8
128 834 003	Wiper Motor	1	143	4
128 835 002	Fram (Wiper)	1	143	11
128 860 001	Link Frame (Wiper)	1	143	3
129 140 033	Kick Board	1	147	29
129 166 021	Mat Set	1	145	1
142 208 000	Bracket (Center Arm - Front)	1	45	29
142 210 034	Center Arm (Front)	1	45	21
142 210 071	Plate (Center Spring)	1	45	18
142 300 150	Spacer (Knuckle - Inner)	2	49	17
142 500 012	Bolt (Center Arm - Rear)	1	53	14
143 430 012	Knuckle Arm	2	61	19
143 520 022	Plate (Steering Shaft)	2	65	27
143 521 090	Stop Plate (Steering Wheel)	1	65	4
143 529 016	Steering Shaft	1	65	20
143 529 073	Rubber Bearing (Steering Shaft)	1	65	22
143 529 162	Lower Cover (Steering Shaft)	1	65	23
143 532 070	Dust Seal (Tie Rod End)	2	61	2
143 560 061	Tie Rod	1	63	23
143 560 071	Clamp (Speedometer Cable)	2	129	14
143 560 090	Turnbuckle	2	61	18
143 560 100	Tie Rod End	2	61	1
144 343 040	Packing (Lever Cover)	1	79	10
144 350 041	Clip (Hand Brake Cable)	2	77	3
144 500 010	Bracket	1	79	15

Cross-Reference Index

Part Number	Description	Qty	Page	Item
144 543 007	Lever Assy (Choke, Heater, Fuel)	1	79	5
146 241 032	Frame (Luggage Shelf)	1	105	6
147 135 010	Bracket (Spare Tire Support)	1	123	4
148 240 020	Hanger (Battery Cable)	1	133	8
148 250 002	Wiring Harness (Room Lamp)	1	133	27
148 452 020	Lightning Switch	1	129	10
148 453 005	Wiper Switch	1	129	9
513 700 090	Bushing A (Gear Change Rod)	2	67	20
513 700 110	Spring A (Gear Change)	1	67	18
513 730 060	Bushing B (Gear Change Lever)	1	67	7
514 300 021	Clamp (Hand Brake Rod)	1	77	17
514 350 020	Clip	1	129	12
514 360 021	Cord (Illumination)	1	129	
514 360 031	Cord (Main Beam)	1	129	
514 700 031	Cushion Rubber (Rear Mounting)	2	81	25
515 500 070	Rubber Washer	2	101	37
515 600 100	Rubber Plate (Striker)	1	97	34
515 600 110	Cushion (Striker)	2	97	39
515 730 230	Clip	14	97	30
515 751 071	Wing Nut	2	133	26
515 950 070	Washer	2	111	29
516 803 020	Rubber Washer	2	149	32
518 441 010	Fuse Box	1	135	14
621 006 080	Washer A (Oil Damper)	2	45	3
621 006 080	Washer A (Oil Damper)	2	53	4
621 006 120	Washer C (Oil Damper)	2	45	10
621 006 120	Washer C (Oil Damper)	2	53	7
621 011 020	Rubber Bushing (Oil Damper)	2	45	9
621 011 020	Rubber Bushing (Oil Damper)	2	53	5
623 101 000	Rim A (Tire)	5	51	3
623 101 020	Rim B (Tire)	5	51	4
623 801 021	Brake Drum (Rear)	2	59	15
623 805 001	Bolt (Brake Drum)	8	49	4
623 805 001	Bolt (Brake Drum)	8	59	16
625 213 000	Screw (Wheel Cylinder - Front)	4	55	9
625 500 040	Adjuster Wheel (Wheel Cylinder - Front)	2	55	11
625 500 050	Adjuster Wheel (Wheel Cylinder - Front)	2	55	12
631 116 010	Contact (Steering Wheel)	1	65	5
633 115 000	Spring (Gear Change Lever)	1	67	6
637 103 080	End (Accelerator Cable)	1	79	18
642 101 070	Cap (Fuel Tank)	1	83	10
642 102 040	Packing (Fuel Cap)	1	83	11
642 522 001	Cap (Oil Tank)	1	85	11
642 523 000	Packing	1	85	12

Cross-Reference Index

Part Number	Description	Qty	Page	Item
642 527 000	Filter (Oil Tank)	1	85	13
645 002 060	Band (Boot)	2	125	10
661 001 050	Striker (Door Lock - Right)	1	97	40
661 001 060	Striker (Door Lock - Left)	1	98	41
661 125 000	Stopper (Door Glass)	2	101	29
681 102 051	Earth Band (Engine)	1	133	14
681 310 042	Battery	1	133	22
682 145 061	Back-up Lamp Switch	2	135	26
682 190 030	Ignition Starter Switch	1	129	1
683 220 000	Hazard Unit	1	135	29
684 102 010	Bulb	2	139	3
684 102 010	Bulb	2	141	18
684 102 090	Bulb (Room Lamp)	1	139	15
684 108 010	Globe (Room Lamp)	1	139	17
684 114 030	Base (Room Lamp)	1	139	14
684 125 071	Room Lamp	1	139	13
686 206 000	Valve	1	143	16
686 213 020	Tank Cap	1	143	14
686 214 080	Nozzle Complete	1	143	15
686 218 031	Pump	1	143	23
686 225 000	Speed Nut	1	143	22
690 302 000	Plug	4	147	7
690 302 030	Plug (Safety Belt)	10	147	4
690 302 030	Plug (Safety Belt)	10	147	20
690 302 080	Plug	1	147	3
691 023 000	Screw	1	147	15
694 001 070	Tool Kit (old Part No 117 810 008)	1	131	1
800 105 050	Bolt (5 x 20 x 15)	2	25	16
800 106 100	Bolt (6 x 14 x 11)	8	42	12
800 106 110	Bolt (6 x 16 x 14)	2	29	26
800 106 130	Bolt (6 x 25.5 x 25.5)	2	38	51
800 108 100	Bolt (8 x 100 x 16)	1	29	28
800 112 050	Bolt (12 x 20 x 20)	1	7	25
800 209 010	Bolt (9 x 21 x 6)	4	42	20
800 210 010	Bolt (10 x 37 x 20)	8	7	1
800 308 010	Bolt (Socket) (8 x 35 x 25)	2	3	17
800 308 020	Bolt (Socket) (8 x 55 x 25)	10	3	16
800 808 050	Stud (8 x 22 x 22)	1	4	42
800 808 080	Stud	1	4	63
800 808 090	Stud (8 x 60 x 12)	6	4	60
800 808 100	Stud (8 x 56 x 16)	2	4	71
800 808 140	Stud (8 x 35 x 12)	4	7	14
801 304 030	Screw (4 x 28 x 24)	2	19	10
802 008 050	Nut (8 x 6.5)	4	7	7

Cross-Reference Index

Part Number	Description	Qty	Page	Item
802 016 010	Nut (16 x 8)	2	38	39
802 034 010	Nut (34 x 6)	1	38	59
803 006 060	Washer (6.5 x 30 x 1)	1	19	4
803 008 021	Adjusting Washer	0 - 1	29	30
803 008 022	Adjusting Washer	0 - 1	29	30
803 008 024	Adjusting Washer	0 - 1	29	30
803 010 011	Washer (10.8 x 24 x 1.48)	4	41	5
803 010 011	Washer (10.8 x 24 x 1.50)	4	41	5
803 010 011	Washer (10.8 x 24 x 1.52)	4	41	5
803 010 011	Washer (10.8 x 24 x 1.54)	4	41	5
803 010 011	Washer (10.8 x 24 x 1.56)	4	41	5
803 010 011	Washer (10.8 x 24 x 1.58)	4	41	5
803 010 011	Washer (10.8 x 24 x 1.60)	4	41	5
803 010 011	Washer (10.8 x 24 x 1.65)	4	41	5
803 010 051	Washer (10.8 x 24 x 1.49)	4	41	5
803 010 052	Washer (10.8 x 24 x 1.51)	4	41	5
803 010 053	Washer (10.8 x 24 x 1.53)	4	41	5
803 010 054	Washer (10.8 x 24 x 1.55)	4	41	5
803 010 055	Washer (10.8 x 24 x 1.57)	4	41	5
803 010 056	Washer (10.8 x 24 x 1.59)	4	41	5
803 011 011	Washer (11.2 x 24 x 1.48)	4	41	4
803 011 012	Washer (11.2 x 24 x 1.50)	4	41	4
803 011 013	Washer (11.2 x 24 x 1.52)	4	41	4
803 011 014	Washer (11.2 x 24 x 1.54)	4	41	4
803 011 015	Washer (11.2 x 24 x 1.56)	4	41	4
803 011 016	Washer (11.2 x 24 x 1.58)	4	41	4
803 011 017	Washer (11.2 x 24 x 1.60)	4	41	4
803 011 018	Washer (11.2 x 24 x 1.65)	4	41	4
803 011 051	Washer (11.2 x 24 x 1.49)	4	41	4
803 011 052	Washer (11.2 x 24 x 1.51)	4	41	4
803 011 053	Washer (11.2 x 24 x 1.53)	4	41	4
803 011 054	Washer (11.2 x 24 x 1.55)	4	41	4
803 011 055	Washer (11.2 x 24 x 1.57)	4	41	4
803 011 056	Washer (11.2 x 24 x 1.59)	4	41	4
803 015 040	Washer (15 x 26 x 2.3)	1	8	41
803 020 060	Washer (20.5 x 34 x 2)	2	37	35
803 027 031	Washer (27 x 36 x 0.5)	1	15	3
803 027 032	Washer (27 x 36 x 0.7)	1	15	3
803 027 033	Washer (27 x 36 x 0.8)	1	15	3
803 027 034	Washer (27 x 36 x 0.9)	1	15	3
803 027 035	Washer (27 x 36 x 1.0)	1	15	3
803 027 036	Washer (27 x 36 x 1.1)	1	15	3
803 027 037	Washer (27 x 36 x 1.2)	1	15	3
803 030 010	Washer (30 x 43 x 1.0)	4	11	6

Cross-Reference Index

Part Number	Description	Qty	Page	Item
803 077 010	Washer (77 x 82 x 0.2)	0 - 3	42	15
803 110 010	Washer (10.5 x 18 x 0.8)	2	25	23
803 115 010	Washer (15.3 x 28 x 0.8)	1	38	60
803 115 030	Washer (15.3 x 28 x 2)	1	38	63
803 125 010	Washer (25 x 28 x 1)	1	37	29
803 165 011	Washer (65.2 x 80 x 0.950)	2	41	9
803 165 012	Washer (65.2 x 80 x 0.975)	2	41	9
803 165 013	Washer (65.2 x 80 x 1.000)	2	42	9
803 165 014	Washer (65.2 x 80 x 1.025)	2	42	9
803 165 015	Washer (65.2 x 80 x 1.050)	2	42	9
803 406 010	Tooth Lock Washer (6.4 x 11 x 0.6)	2	38	55
803 508 060	Lock Washer (8.5 x 24 x 0.8)	1	37	9
803 509 010	Lock Washer (9.2 x 15 x 1)	4	42	19
803 516 040	Lock Washer (16.5 x 40 x 1)	2	38	40
803 534 010	Lock Washer (34.1 x 49 x 1)	1	38	58
804 003 020	Straight Pin (3.2 x 20)	1	25	26
804 004 040	Straight Pin (4 x 35)	1	42	17
805 014 010	Snap Ring (Outer - 14)	2	15	25
805 022 020	Snap Ring (Out)	1	37	21
805 232 010	Snap Ring (Inner - 32)	1	15	22
805 318 020	Circlip (in)	4	7	31
805 910 020	Hose Clamp	2	25	7
806 006 010	Ball (16.350)	3	37	11
806 060 010	Ball (6.350)	1	3	12
806 105 020	Roller (5 x 10)	1	11	14
806 220 040	Ball Bearing (20 x 42 x 12)	2	38	66
806 225 010	Ball Bearing	1	7	34
806 225 040	Ball Bearing	1	38	46
806 275 010	Ball Bearing (75 x 105 x 16)	2	4	59
806 418 010	Needle Bearing (18 x 25 x 15)	2	38	49
806 418 022	Needle Bearing	2	7	27
806 425 010	Needle Bearing (25 x 30 x 25)	1	37	32
806 429 010	Needle Bearing (29.75 x 36.75 x 16.5)	2	11	8
806 712 050	Oil Seal	1	4	62
806 725 070	Oil Seal (25 x 45 x 11)	1	7	36
806 735 050	Oil Seal (35 x 62 x 15)	1	11	2
806 742 090	Oil Seal (42 x 60 x 9)	1	3	32
806 907 020	"O" Ring (7.8 x 1.5)	2	38	68
807 008 010	Plug (8 x 10)	1	3	14
807 008 010	Plug (8 x 12)	1	37	10
807 014 030	Plug (14 x 8)	1	3	30
807 022 010	Plug (22 x 8)	2	4	57
809 110 100	V Belt (1/2" x 24")	1	29	27
810 200 131	Cylinder Comple II	1	7	13

Cross-Reference Index

Part Number	Description	Qty	Page	Item
810 210 131	Cylinder Comple	1	7	12
810 295 010	Crank Shaft Compl	1	7	26
810 295 010	Crankshaft Assy	1	11	
810 600 110	Fan Compl	1	7	39
810 620 150	Fan Cover	1	13	1
810 635 000	Air Duct	1	13	6
810 680 120	Cowling	1	13	7
810 930 100	Damper Unit (Fan)	1	7	40
811 090 110	Sleeve V (Crank Case)	1	4	64
811 210 100	Bushing VII (Crank Case)	1	4	61
811 400 100	Plate (Crank Case Bearing)	1	38	52
811 415 000	Plate II (Crank Case Bearing)	1	38	54
811 420 100	Plate III (Crank Case Bearing)	1	38	45
811 500 100	Gasket (Clutch Case Cover)	1	5	5
811 500 100	Gasket (Crank Case Cover)	1	7	33
811 515 110	Cover (Crank Case)	1	7	35
812 010 120	Gasket (Cylinder)	2	5	8
812 010 120	Gasket (Cylinder)	2	7	17
812 301 431	Gasket (Cylinder Head)	2	5	1
812 301 431	Gasket (Cylinder Head)	2	7	6
812 355 000	Cylinder Head II	1	7	5
812 365 000	Cylinder Head	1	7	4
813 010 100	Crankshaft I	1	11	17
813 020 100	Crankshaft II	1	11	16
813 030 120	Crankshaft III	1	11	5
813 061 100	Crankshaft Web	2	11	10
813 071 100	Plug (Crankpin)	2	11	11
813 081 100	Oil Slinger	2	11	12
813 101 110	Crankpin	2	11	9
813 120 110	Spacer (Crankshaft)	1	11	15
813 130 100	Spacer II (Crankshaft)	1	11	3
813 180 111	Spacer (Primary Reduction Pinion)	1	15	1
813 180 112	Spacer (Primary Reduction Pinion)	1	15	1
813 180 113	Spacer (Primary Reduction Pinion)	1	15	1
813 341 120	Connecting Rod	2	11	7
813 500 112	Piston Pin	2	7	30
816 140 100	Spinner (Fan)	1	8	44
816 930 100	Plate III (Exhaust Manifold)	1	7	9
820 150 110	Case (Air Cleaner)	1	19	6
820 170 110	Cover (Air Cleaner Case)	1	19	2
820 255 000	Intake Manifold	1	7	19
820 305 000	Exhaust Manifold	1	7	10
820 320 110	Band (Clamp)	2	19	9
820 431 130	Mechanical Pump	1	25	19

Cross-Reference Index

Part Number	Description	Qty	Page	Item
820 431 130	Mechanical Pump Compl	1	27	
820 475 000	Labyrinth Packing	1	11	13
820 481 140	Oil Pump Cable	1	25	15
820 541 800	Spark Plug	2	29	17
821 310 110	Wing Nut	1	19	1
821 455 000	Element (Air Cleaner)	1	19	5
821 611 410	Spring (Air Cleaner)	1	19	3
821 700 100	Hose (Air Cleaner)	1	19	11
821 795 000	Clip (Fuel Pipe)	1	13	2
821 835 000	Nipple (Intake Manifold)	1	7	23
822 051 400	Gasket (Carburetor)	2	5	3
822 051 400	Gasket (Carburetor)	2	19	16
822 061 400	Insulator (Carburetor)	1	19	17
822 110 110	Gasket (Intake Manifold)	2	5	6
822 110 110	Gasket (Intake Manifold)	2	7	18
824 051 120	Set Screw	1	25	28
824 101 110	Shaft (Oil Pump)	1	25	22
824 111 120	Bushing (Oil Pump Shaft)	1	25	24
824 201 100	Gasket (Oil Pump)	1	5	16
824 201 100	Gasket (Oil Pump Body)	1	25	20
824 311 100	Holder (Oil Pump Body)	1	25	6
824 551 110	Union Banjo (Oil Pump)	1	25	10
824 561 110	Union Screw	1	25	11
824 571 100	Hose (Oil Pump)	1	25	8
824 621 100	Clamp (Oil Pump Hose)	1	25	3
824 641 120	Bracket	1	3	28
824 651 100	Bracket II	1	7	21
824 991 100	Gasket (Bearing Cover)	1	4	53
824 991 100	Gasket (Bearing Cover)	1	5	2
825 231 110	Holder (Generator Drive Shaft Bearing)	1	4	54
825 241 400	Spacer (Generator Pulley)(1	29	6
825 260 100	Pulley (Generator)	1	29	4
825 501 410	Driving Gear (Distributor)	1	29	8
825 510 100	Driven Gear (Distributor)	1	25	25
825 530 100	Clamp (Distributor)	1	29	23
825 541 420	Driving Shaft (Distributor)	1	29	9
825 660 100	Washer (Distributor Clamp)	1	29	24
825 870 100	Sealing (Spark Plug Cap)	2	29	16
825 985 000	Cap (Spark Plug Cord)	4	29	12
829 875 000	Distributor	1	29	14
829 875 002	Distributor Assembly	1	35	
829 880 111	Ignition Coil	1	29	11
829 890 512	Regulator	1	29	10
829 900 102	Generator	1	29	19

Cross-Reference Index

Part Number	Description	Qty	Page	Item
829 900 102	Generator	1	31	
829 910 141	Starter Motor	1	29	29
829 910 141	Starter Motor	1	33	
829 975 000	Carburetor	1	19	15
829 975 000	Carburetor	1	21	
829 995 000	Air Cleaner Assy	1	19	
830 980 100	Needle Unit (Universal Joint)	8	41	1
830 991 410	Holder (Release Bearing)	1	15	24
831 010 110	Gasket (Clutch Housing)	1	4	45
831 010 110	Gasket (Clutch Housing)	1	5	4
831 051 400	Guide (Oil)	1	3	33
831 381 140	Clutch Cover	1	4	51
831 511 400	Bearing (Clutch Release)	1	15	23
831 610 100	Release Fork (Clutch)	1	15	28
831 620 100	Release Fork Shaft	1	16	32
831 710 100	Bushing (Release Fork Shaft)	2	15	26
831 721 400	Sealing (Release Fork Shaft)	1	16	31
831 851 430	Coupling	1	15	21
831 860 100	Plug (Clutch Housing Timing Hole)	1	4	46
831 901 400	Ring Gear (Starter)	1	15	5
834 010 110	Final Reduction Gear	1	42	16
834 120 100	Differential Case	1	42	18
834 141 400	Shaft (Differential Pinion)	1	42	10
834 150 110	Pinion (Differential)	2	41	7
834 161 411	Block (Pinion Shaft)	1	41	8
834 161 412	Block (Pinion Shaft)	1	41	8
834 161 413	Block (Pinion Shaft)	1	41	8
834 200 120	Side Gear (Differential)	2	41	6
834 210 100	Crow (Universal Joint)	2	42	11
834 220 100	Shaft (Universal Joint)	2	41	2
834 231 400	Yoke (Universal Joint)	2	41	3
834 281 440	Sleeve (Oil Seal)	2	42	14
834 291 400	Lock Washer (Oil Seal Sleeve)	4	42	13
839 990 100	Clutch Assy	1	15	
840 155 000	Gear Compl (Transmission Main Drive)	1	38	48
840 195 010	Gear Compl (Second Drive)	1	37	27
840 235 000	Gear Compl (Reverse Idler)	1	38	61
840 435 010	Shaft Comple (Gear Selector Arm)	1	37	20
840 950 100	Air Breather Unit	1	3	39
841 015 000	Gasket (Transmission Case)	1	4	66
841 015 000	Gasket (Transmission Case)	1	5	9
841 260 120	Gear (Primary)	1	38	57
841 415 010	Shaft (Transmission Main)	1	38	47
841 455 000	Gear (Low Drive)	1	37	30

Cross-Reference Index

Part Number	Description	Qty	Page	Item
841 495 000	Bushing (Second Drive Gear)	1	37	28
841 535 000	Gear (Transmission Counter)	1	38	65
841 565 000	Bushing (Reverse Idler Gear)	1	38	62
841 575 000	Shaft (Reverse Idler Gear)	1	38	64
841 595 000	Pinion (Final)	1	38	42
841 625 000	Gear (Over Drive Drive)	1	38	67
841 635 000	Bushing (Over Drive Drive Gear)	1	37	31
841 645 000	Gear (Over Drive Drive)	1	37	33
841 755 000	Hub (Synchronizer)	3	37	26
841 765 000	Hub II (Synchronizer)	1	38	69
841 770 110	Spring (Synchronizer Hub)	2	37	36
841 774 100	Spring (Synchronizer Hub)	2	37	23
841 784 100	Ring (Synchronizer)	1	37	22
841 794 100	Insert (Synchronizer Hub)	1	37	25
841 795 000	Insert (Synchronizer Hub)	2	37	37
841 805 010	Sleeve (Synchronizer)	2	37	24
841 815 000	Sleeve II (Synchronizer)	1	38	38
841 835 000	Ring II (Synchronizer)	1	37	34
842 015 000	Shifter Fork	1	37	18
842 025 000	Shifter Fork II	1	37	16
842 035 000	Shifter Fork III	1	37	19
842 045 000	Rail (Shifter Fork)	1	37	17
842 055 000	Rail II (Shifter Fork)	1	37	15
842 065 000	Rail III (Shifter Fork)	1	37	6
842 071 400	Spring (Shifter Fork Rail)	3	37	12
842 075 000	Spring (Shifter Fork Rail)	1	3	13
842 094 100	Set Screw (Shifter Fork)	2	37	1
842 115 000	Arm (Shifter)	1	37	3
842 125 000	Arm II (Shifter)	1	37	7
842 135 000	Shaft (Shifter Arm)	2	37	4
842 145 000	Shaft (Over Drive Lever)	1	37	14
842 165 000	Arm (Selector)	1	37	2
842 215 000	Lever (Over Drive)	1	37	13
842 235 000	Arm II (Selector)	1	37	5
842 245 000	Plunger (Shifter ail)	1	3	9
842 255 000	Gasket (Transmission Cover)	1	3	5
842 255 000	Gasket (Transmission Cover)	1	5	10
842 265 010	Cover (Transmission)	1	3	4
842 275 000	Gasket II (Transmission Cover)	1	4	69
842 275 000	Gasket (II Transmission Cover)	1	5	15
842 285 010	Cover II (Transmission)	1	4	70
842 295 000	Gasket III (Transmission Cover)	1	3	7
842 295 000	Gasket (III Transmission Cover)	1	5	11
842 305 000	Cover III (Transmission)	1	3	6

Cross-Reference Index

Part Number	Description	Qty	Page	Item
842 325 000	Gasket IV (Transmission Cover)	1	3	21
842 325 000	Gasket (IV Transmission Cover)	1	5	12
842 335 000	Cover IV (Transmission)	1	3	22
842 650 100	Gutter (Transmission Oil)	1	3	37
842 685 000	Spring (Accent Plunger)	1	3	8
842 795 000	Sash (Transmission Cover)	1	3	26
842 805 000	Sash II (Transmission Cover)	1	3	23
842 815 000	Sash III (Transmission Cover)	1	3	24
842 835 010	Stopper (Synchronizer)	1	38	41
880 030 110	Piston Ring Set	2	7	32
880 030 111	Over Size Piston Ring Set	2 set	9	
880 030 112	Over Size Piston Ring Set	2 set	9	
880 030 113	Over Size Piston Ring Set	2 set	9	
880 030 114	Over Size Piston Ring Set	2 set	9	
880 030 115	Over Size Piston Ring Set	2 set	9	
880 030 116	Over Size Piston Ring Set	2 set	9	
880 045 000	Crank Case Compl.	1	4	40
880 075 000	Transmission Case Compl	1	4	68
880 080 100	Housing Comple (Clutch)	1	4	47
880 100 100	Pressure Plate	1	15	7
880 120 100	Friction Disc	1	15	6
880 140 110	Clutch Cover	1	15	18
880 150 100	Clutch Spring	6	15	16
880 160 100	Cap (Clutch Spring)	6	15	17
880 170 100	Seat (Release Lever)	3	15	20
880 180 100	Return Spring (Clutch)	3	15	14
880 240 130	Terminal Assembly	1	35	5
881 255 001	Over Size Piston (1) Set	1 set	9	
881 255 002	Over Size Piston (1) Set	1 set	9	
881 255 003	Over Size Piston (1) Set	1 set	9	
881 255 004	Over Size Piston (1) Set	1 set	9	
881 255 005	Over Size Piston (1) Set	1 set	9	
880 260 100	Release Bolt Unit (Clutch)	1	16	34
880 270 110	Fly Wheel Unit	1	15	4
880 290 110	Bearing Big End Kit	2	11	
880 310 120	Contact Set (Points)	1 set	35	3
880 335 000	Gasket Set	1	5	
880 340 100	Clutch Release Lever	3	15	11
880 350 100	Castel Nut (6 x 5)	3	15	13
880 360 100	Bolt (6 x 34 x 10)	3	15	15
880 550 120	Primary Pinion	1	15	2
880 570 100	Rivet (4 x 15)	6	15	19
880 650 110	Oil Seal Compl	2	4	56
880 950 100	Gasket (Exhaust Manifold)	2	5	7

Cross-Reference Index

Part Number	Description	Qty	Page	Item
880 950 100	Gasket (Exhaust Manifold)	2	7	11
881 235 000	Cord (Spark Plug)	1	29	15
881 245 000	Cord (Distributor)	1	29	13
881 255 000	Piston (1) Set (Right)	1 set	7	28
881 265 000	Piston (2) Set (Left)	1 set	7	29
881 265 001	Over Size Piston (2) Set	1 set	9	
881 265 002	Over Size Piston (2) Set	1 set	9	
881 265 003	Over Size Piston (2) Set	1 set	9	
881 265 004	Over Size Piston (2) Set	1 set	9	
881 265 005	Over Size Piston (2) Set	1 set	9	
881 295 000	Bracket (Generator)	1	3	20
881 305 000	Bracket (Generator)	1	3	27
881 315 000	Bracket IV (Generator)	1	3	29
887 040 700	Saucer (Carburetor)	1	19	18
887 050 100	Universal Joint Set	2	41	
887 101 100	Guide II (Release Bearing)	1	15	30
890 031 100	Bushing & Screw Set	1	25	
890 041 110	Shaft & Screw Set	1	25	21
891 000 112	Cap Assembly	1	35	1
891 010 122	Rotor Head	1	35	2
891 020 112	Condenser Unit	1	35	8
891 050 122	Breaker Plate Assembly	1	35	4
891 125 012	Shaft Assembly	1	35	14
891 160 132	Housing	1	35	12
891 180 102	Terminal Cover	1	35	6
891 240 112	Screw	2	35	11
891 400 112	Cap Clamp	1	35	9
891 410 102	Cap Clamp Set (2)	1 set	35	10
891 420 112	Governer Weight Set	2 set	35	16
891 430 102	Pinion Set	1 set	35	7
891 445 002	Cam Assembly Set	1 set	35	17
891 450 102	Governer Spring Set	1 set	35	15
891 500 102	Thrust Needle Set	1 set	35	13
892 000 131	Armature (Starter Motor)	1	33	25
892 010 151	Housing (Starter Pinion)	1	33	5
892 020 111	Frame (Starter Field)	1	33	11
892 030 111	Band (Starter Motor)	1	33	12
892 040 121	Holder (Commutator End)	1	33	13
892 050 111	Spring (Commutator Brush)	2	33	15
892 060 111	Brush I (Commutator)	1	33	16
892 070 111	Brush II (Commutator)	1	33	17
892 080 111	Pin (Starter Pinion Lever)	1	33	9
892 100 161	Starter Switch	1	33	2
892 110 131	Lever (Starter Pinion)	1	33	8

Cross-Reference Index

Part Number	Description	Qty	Page	Item
892 120 111	Plate (Armature Brake Spring)	1	33	24
892 130 111	Spring (Armature Brake)	1	33	21
892 220 111	Bushing (Armature Shaft)	1	33	6
892 220 111	Bushing (Armature Shaft)	1	33	14
892 240 111	Sealing (Starter Pinion Housing)	1	33	10
892 630 121	Washer (9.8 x 18 x 0.2)	1	33	28
892 640 111	Washer (9.8 x 18 x 1.7)	1	33	29
892 650 121	Washer (9.8 x 18 x 1.2)	1	33	27
892 660 101	Plug (Commutator End Holder)	1	33	18
892 670 121	Washer (9.8 x 26 x 0.6)	2	33	23
892 710 121	Gasket (Starter Pinion Housing)	1	33	3
892 740 121	Bolt (5 x 30 x 10)	2	33	4
892 860 111	Pinion (Starter Motor)	1	33	26
892 940 111	Bolt (5 x 130 x 17)	2	33	1
892 950 101	Washer (9.8 x 10.5 x 1.0)	1	33	22
893 001 103	Cap (Differential Cylinder)	1	27	7
893 011 103	Worm Bearing A	1	27	3
893 021 103	"O" Ring (Cam Shaft)	1	27	33
893 031 113	Cotter Pin (Cam)	1	27	35
893 041 103	Ring (Cam Shaft)	1	27	18
893 061 103	Banjo Washer	2	27	14
893 111 113	Washer (Guide)	1	27	16
893 131 103	"O" Ring	2	27	4
893 161 103	Oil Seal	1	27	2
893 181 143	Body (Pump)	1	27	11
893 191 113	Banjo Connection	1	27	12
893 201 103	Outlet Screw	1	27	28
893 221 103	Plunger	1	27	10
893 231 103	Driving Worm	1	27	5
893 241 103	Plunger (Differential)	1	27	8
893 251 113	Cylinder (Differential)	1	27	9
893 261 103	Spring (Differential Plunger)	1	27	6
893 271 133	Cam	1	27	17
893 281 103	Cam Shaft	1	27	34
893 291 103	Control Lever	1	27	32
893 311 103	Spring (Leve Return)	1	27	31
893 331 103	Steel Ball	1	27	26
893 341 103	Spring (Check Valve)	1	27	27
893 351 113	Washer (Aluminum)	1	27	25
893 361 103	Plunger Guide Set	1	27	15
893 371 113	Screw & Spring Washer	2	27	1
893 391 113	Banjo Bolt Set	1	27	13
893 401 113	"O" Ring	1	27	19
893 411 113	Diaphragm	1	27	20

Cross-Reference Index

Part Number	Description	Qty	Page	Item
893 421 113	Plate (Cam Casing)	1	27	21
893 431 113	Screw & Spring Washer	2	27	22
893 441 103	Washer (Aluminum)	1	27	23
893 451 103	Body (Check Valve)	1	27	24
893 461 103	Bracket (Return Spring)	1	27	36
893 471 123	Screw	2	27	37
894 000 101	Plug (Slow Air Bleed)	1	21	16
894 025 001	Plug (Main Air Bleed)	1	21	17
894 041 401	Main Nozzle	1	21	23
894 050 121	Float Chamber Cover	1	21	3
894 061 401	Throttle Valve	1	22	47
894 071 401	Spring (Starting Lever)	1	22	42
894 080 101	Slow Jet	1	22	44
894 091 401	Gasket (Air Chamber Cover)	1	21	15
894 111 411	Spring (Choke Lever Shaft)	1	21	31
894 131 411	Spring (Throttle Adjust Lever)	1	22	41
894 140 101	Retainer (Main Nozzle)	1	21	24
894 151 401	Washer (Starting Lever)	1	22	43
894 160 101	Gasket (Float Bowl Cover)	1	21	6
894 170 101	Bracket	1	21	28
894 180 111	Choke Valve	1	21	10
894 190 101	Air Chamber Cover	1	21	14
894 200 101	Gasket (Needle Valve)	1	21	4
894 210 111	Throttle Leve	1	21	38
894 220 111	Choke Lever Shaft	1	21	29
894 230 121	Connecting Rod	1	21	30
894 240 121	Starting Lever	1	22	40
894 250 101	Sleeve (Starting Lever)	1	21	39
894 270 131	Throttle Valve Shaft	1	21	8
894 280 101	Throttle Adjust Lever	1	21	34
894 291 411	Idling Adjust Screw	1	21	18
894 301 401	Spring (Idling Adjuster Scew)	2	21	19
894 311 411	Throttle Adjust Screw	1	22	46
894 321 411	Screw	4	21	11
894 331 401	Nut (Throttle Lever)	1	21	36
894 340 101	Plug (Bypass)	1	21	20
894 350 101	Float (Carburetor)	1	21	7
894 360 101	Gasket (Main Nozzle Retainer)	1	21	25
894 370 121	Retainer (Main Metering Jet)	1	21	27
894 380 101	Gasket (Bypass Plug)	1	21	21
894 390 101	Needle Valve	1	21	5
894 400 101	Washer (Starting Lever)	1	21	35
894 415 001	Screw	3	21	1
894 420 111	Screw (Cable Bracket)	1	21	32

Cross-Reference Index

Part Number	Description	Qty	Page	Item
894 451 401	Washer (Main Nozzle)	1	21	22
894 570 811	Main Metering Jet	1	21	26
894 615 011	Spare Main Metering Jet	1	22	45
894 665 001	Screw	2	21	12
895 000 302	Pulley (Generator)	1	31	3
895 010 312	Front Cover (Generator)	1	31	4
895 020 302	Ball Bearing	1	31	14
895 031 402	Key	1	31	11
895 040 302	Armature	1	31	12
895 050 302	Field Coil	1	31	15
895 080 302	York (Generator)	1	31	16
895 090 302	Bolt (6 x 14.6 x 7)	2	31	25
895 100 302	Spring (Commutator Brush)	2	31	23
895 110 302	Brush I (Commutator)	1	31	21
895 120 302	Brush II (Commutator)	1	31	22
895 150 302	Oil Felt (Generator Bearing)	2	31	5
895 160 312	Bolt (Terminal)	1	31	17
895 170 302	Nut	1	31	1
895 180 302	Spacer (Armature)	1	31	10
895 190 302	Cover I (Oil Felt)	1	31	6
895 210 312	A Terminal (Generator)	1	31	20
895 220 302	Plate (Terminal)	1	31	19
895 230 312	Insulator (Terminal)	2	31	18
895 250 302	Cover II (Oil Felt)	1	31	9
895 260 302	Spacer (Generator Bearing)	1	31	13
895 270 302	Plate (Generator Bearing)	1	31	8
895 280 302	Rear Cover (Generator)	1	31	24
901 500 004	Bolt (8 x 18)	6	49	18
901 500 005	Bolt (8 x 25)	6	59	11
901 500 100	Bolt	2	81	23
901 550 005	Bolt (4 x 10)	2	97	17
901 700 001	Bolt (6 x 7.5)	1	49	38
901 800 002	Bolt (8 x 20)	4	65	29
901 900 001	Bolt	4	73	14
901 900 002	Bolt	2	125	14
901 910 001	Bolt	6	87	3
901 910 002	Bolt	2	149	7
901 910 006	Bolt	6	87	32
902 100 004	Nut (10)	4	81	13
902 100 008	Nut (16)	2	61	25
902 100 009	Nut (16)	2	61	26
902 100 020	Nut	20	51	9
902 100 021	Nut	1	63	17
902 170 001	Nut	4	45	12

Cross-Reference Index

Part Number	Description	Qty	Page	Item
902 170 002	Nut (12)	1	65	7
902 200 001	Nut (16)	2	49	9
902 200 009	Nut (10)	1	71	8
902 300 005	Castle Nut (16)	2	59	18
902 300 007	Castle Nut (10)	2	61	20
902 450 011	Cap Nut (4)	2	109	16
903 100 001	Washer (5)	6	87	5
903 100 001	Washer (5)	1	88	6
903 100 002	Washer (6)	2	115	3
903 100 003	Washer (8.5)	2	117	16
903 100 005	Washer (5.3)	2	61	11
903 100 006	Washer (8.5)	2	61	7
903 100 011	Washer (6.7)	4	87	24
903 100 013	Washer (12.5)	1	65	9
903 100 030	Washer (4.5)	5	109	11
903 110 001	Washer (4.5)	6	121	13
903 300 001	Lock Washer	4	101	31
903 300 002	Lock Washer	2	98	66
903 400 001	Lock Washer	2	149	27
903 400 002	Lock Washer	4	102	44
904 100 004	Screw (6 x 30)	4	98	43
904 210 009	Screw	2	141	8
904 310 005	Screw	2	101	4
904 310 010	Screw (Rear Combination Lamp)	2	141	23
904 310 011	Screw (Rear Combination Lamp)	2	141	24
904 310 013	Screw (Front Combination Lamp)	4	139	8
904 310 016	Screw	2	141	9
904 310 022	Screw	2	139	25
904 600 001	Tapping Screw (3 x 6)	6	149	29
906 250 001	Oil Seal	1	63	7
906 390 004	Oil Seal	2	59	23
909 000 001	Grease Nipple	2	61	3
909 000 001	Grease Nipple	1	69	16
909 000 002	Grease Nipple	2	49	34
909 000 003	Grease Nipple	2	77	6
909 150 001	Clip	1	127	10
909 180 001	Clip	2	59	30
909 180 002	Clip	2	59	32
909 710 001	Plus Driver	1	131	3
909 720 002	Minus Driver	1	131	2
909 800 201	Rubber Wedge (Weather Strip)	1	109	1